

MIGHTY MAC™

PSDT5 SERIES

PRODUCT FEATURES:

- » Surface ceiling mount – 24" x 48"
- » TIG welded housing with no post grinding for additional strength
- » Vertically adjustable Z bracket with thru-studs spaced 6" apart
- » Full length concealed internal piano hinge



PROJECT INFORMATION

Job Name _____

Fixture Type _____

Catalog Number _____

Approved by _____

SPECIFICATIONS

HOUSING: One-piece die-formed prime grade material as specified – see ordering information. Corners continuously seam welded and smooth with no post grinding (TIG).

LENS: As specified – maximum total thickness .500" – see ordering information. Kenall recommends a prismatic inner lens and a clear outer lens. Two clear lenses used in combination cannot be provided.

LENS RETENTION: Vertically adjustable continuous "Z" brackets of prime grade material, secured to housing via thru-studs (6" maximum spacing).

DOOR: One-piece die-formed prime grade material as specified – see ordering information.

HINGE: Full length staked and welded internal piano hinge (1/2" knuckle/1/8" diameter pin) standard.

FASTENERS: Hardened security screws as specified – see ordering information. Fully recessed.

FINISH: TGIC polyester powder coat – 5-stage pre-treatment. Salt spray test: 1,000 hours; Reflectance: 92%.

LAMPS: Quantity and type as specified – see ordering information. Lamps supplied by others.

BALLAST: Quantity and type as specified – see ordering information. All ballasts UL listed class P. Standard removable gear tray with quick disconnect.

PHOTOMETRICS: For photometric information, go to www.kenall.com.

WARRANTY: 1 year warranty for Kenall fluorescent lighting products

LISTINGS: UL and CUL listed for damp locations. See ordering information for wet location applications.



ORDERING INFORMATION (Ex: PSDT5-4-0/0-3-28-RS-1-120-1/B-1)

Model	Size	Housing/Door	Lamp Qty	Lamp Type	Ballast Type	Ballast Qty	Voltage	Lens (Inner/Outer)	Fasteners	Options
PSDT5	4	/						/		

Nominal Size
4 24" x 48"

Housing/Door Material
0 14-Ga CRS (Painted White)
1 16-Ga CRS (Painted White)
2** 18-Ga CRS (Painted White)
3 14-Ga SS (Painted White)
4 16-Ga SS (Painted White)
6 14-Ga SS (Brushed)
7 16-Ga SS (Brushed)
A** 18-Ga SS (Brushed)
B** 18-Ga SS (Painted White)

Lamp Quantity
2 Two
3 Three
4 Four
5 Five
6 Six

Lamp Type
28 F28T5
54 F54T5HO

Ballast Type
RS Rapid Start Electronic <10% THD
SB Specified Ballast

Ballast Quantity
1 One
2 Two

Voltage
120 120 Volts
277 277 Volts
347 347 Volts

Lens (Inner/Outer)‡
0 No Lens
1 .125" Prismatic Acrylic
2 .125" Prismatic Polycarbonate
3 .125" Textured Polycarbonate
G .125" Clear Polycarbonate
4 .156" Prismatic Polycarbonate
TG .156" Textured Tempered Glass
6 .187" Prismatic Polycarbonate
7 .187" Clear Polycarbonate
8 .187" Clear Tempered Glass
9 .250" Clear Polycarbonate
A .250" Clear Tempered Glass
B .375" Clear Polycarbonate
C .375" Clear Tempered Glass
J .500" Clear Polycarbonate
P .500" Clear Tempered Glass

Fastener
1 Torx® Head w/ Center Pin
2 Allen Head w/ Center Pin

Options
DLN LED Night Light w/Light Level Control
FS Single Fuse & Holder
KO 1/2" (1.27cm) EMT Knockouts (Ends)
SN NSF2 Splash/Non-Food Zone Listed
TN PL Night Light – 5/7/9 Watt (Lamp supplied by other) (120/277V only)
UV Ultraviolet Filter
WL Wet Location Listed

*SN Option
 **n/a in Door Material
 ‡ Refer to lens specifications



www.kenall.com

P: 800-4-Kenall

F: 262-891-9701

10200 55th Street Kenosha, Wisconsin 53144

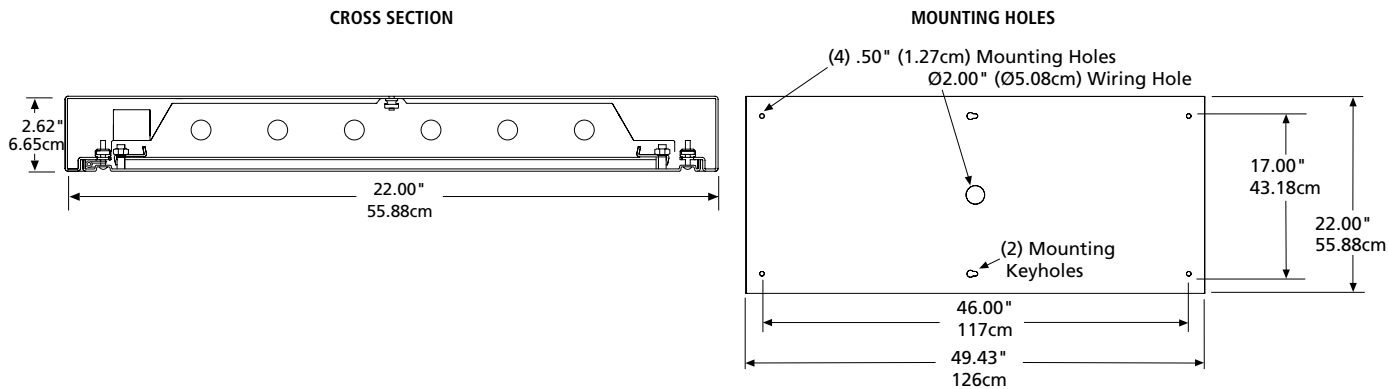
When you see this image, you will know the Kenall product shown or described is designed and manufactured in the USA with components purchased from US suppliers, and meets the Buy American requirements under the ARRA. Kenall has not determined the origin of its domestically purchased components or the subcomponents thereof. May be covered by patents found at www.kenall.com/patents. Content of specification sheets is subject to change; please consult www.kenall.com for current product details. © 2018 Kenall Mfg. Co. All rights reserved.

PSDT5-092018

MIGHTY MAC™

PSDT5 SERIES

DIMENSIONAL DATA



www.kenall.com

P: 800-4-Kenall

F: 262-891-9701

10200 55th Street Kenosha, Wisconsin 53144

When you see this image, you will know the Kenall product shown or described is designed and manufactured in the USA with components purchased from US suppliers, and meets the Buy American requirements under the ARRA. Kenall has not determined the origin of its domestically purchased components or the subcomponents thereof. May be covered by patents found at www.kenall.com/patents. Content of specification sheets is subject to change; please consult www.kenall.com for current product details. © 2018 Kenall Mfg. Co. All rights reserved.