

SIMPLESEAL™ ARCHITECTURAL

CSEA SERIES

PRODUCT FEATURES:

- » Grid, flange or surface mount – 2'x2'
- » Decorative indirect basket provides ambient lighting
- » One-piece seam welded housing
- » Extruded aluminum inset doorframe



PROJECT INFORMATION

Job Name _____

Fixture Type _____

Catalog Number _____

Approved by _____

SPECIFICATIONS

HOUSING: FLANGE & GRID – 20-gauge CRS. SURFACE – 18-gauge CRS. One-piece seam welded construction.

HOUSING FLANGES: FLANGE & GRID – 18-gauge CRS.

HOUSING FINISH: Housing Finish – White TGIC polyester powder coat – 5-stage pre-treatment. Salt spray test 1,000 hours. Reflectance 92%. (See options for Antimicrobial Finish).

DOORFRAME: Heavy duty extruded marine grade aluminum with clear satin anodized finish. Doorframe supported to housing with aircraft cables. Phillips head stainless steel fasteners and captive extruded closed cell gasket seals doorframe to housing.

LENS: .125" (.32cm) clear high impact acrylic. Sealed to extruded aluminum frame with a vinyl gasket.

LAMP SHIELDING: Ambient perforated aluminum basket – white TGIC polyester powder coat finish with pearlescent acrylic diffuser.

ELECTRICAL: Fluorescent electronic 120/277V ballasts, high power factor <10% THD. See Ordering Information for optional equipment. Lamps by others.

INSTALLATION: SURFACE MOUNT – Four .312" diameter holes. GRID MOUNT – Designed for 1" and 1.5" grid. (Housing includes hanging brackets – to secure housing with wire to super structure). FLANGE MOUNT – Mounting yoke brackets – Yoke mounting hardware included. See Accessory for additional mounting options for Flange Mount fixtures. Install Frame and Plaster Frames both positively locates yoke brackets within ceiling opening assures alignment of fixture. Install frame has no need for drywall backing. Backing is supplied on the frame brackets.

WARRANTY: Limited one (1) year Kenall fluorescent warranty.

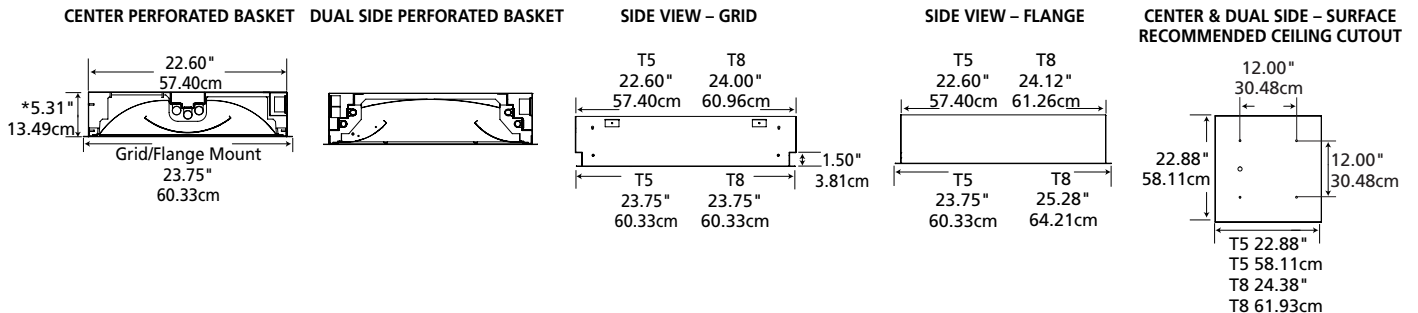
LISTINGS: UL and CUL Listed for Wet Location and UL certified IP65 per IEC 60598. NSF2 Splash/Non-Food Zone. Meets K230 Leakage Standard for luminaire leakage in pressurized environments and FED-STD-209E/Class 100 (ISO 5) Cleanrooms.



ORDERING INFORMATION (Ex: CSEAI22-1-S-1-17-IS-1-120)

Model	Basket Option	Mounting	Lamp Qty	Lamp Type	Ballast Type	Ballast Qty	Voltage	Options	Accessories
CSEAI22									
Basket Option			Lamp Quantity			Ballast Quantity		Options	
1	Center Perforated w/Acrylic Overlay		1	One Lamp (n/a w/2 Basket Option)		1	One	AMF Antimicrobial Finish on exposed surfaces	
2	Dual Side Perforated w/Acrylic Overlay		2	Two Lamps		2	Two	EL Standard Lumen One-Lamp EL Pack (347V dry location only)	
Mounting Options			Lamp Type			Voltage		FS Single Fuse & Holder (1 per ballast)	
G	Grid (1" and 1.5")		3	Three Lamps (n/a w/2 Basket Option)		120	120 Volts	HD Continuous piano hinge door (n/a w/ NSF2 listing)	
F	Flange		4	Four Lamps (n/a w/BiAx Lamps or 1 Basket Option)		277	277 Volts	RF† Radio Frequency Filter (1 per ballast)	
S	Surface					347	347 Volts	Accessories	
				Lamp Type				IF** Install Frame (Flange only)	
				14† F14T				PF** Plaster Frame (Flange only)	
				24† F24T5HO				RM Continuous Row Mount (Flange only)	
				17 17T8				TH 1/2" Trade Size Threaded Hub	
				Ballast Type				† n/a with 347V	
				IS Instant Start Electronic <10% THD (T8)				**Add .25" to Ceiling Cutout dimensions	
				RS Rapid Start Electronic <10% THD (T8,T5,T5HO)					
				SB Specified Ballast					

DIMENSIONAL DATA



www.kenall.com

P: 800-4-Kenall

F: 262-891-9701

10200 55th Street Kenosha, Wisconsin 53144

When you see this image, you will know the Kenall product shown or described is designed and manufactured in the USA with components purchased from US suppliers, and meets the Buy American requirements under the ARRA. Kenall has not determined the origin of its domestically purchased components or the subcomponents thereof. May be covered by patents found at www.kenall.com/patents. Content of specification sheets is subject to change; please consult www.kenall.com for current product details. © 2018 Kenall Mfg. Co. All rights reserved.

CSEAI22-101618