

# MIGHTY MAC™

## CD SERIES

### PRODUCT FEATURES:

- » Corner mount, hinged door
- » Available in 8" x 24" and 48" lengths
- » Vertically adjustable 2-bracket lens retention via 6" thru-stud spacing



### PROJECT INFORMATION

Job Name \_\_\_\_\_

Fixture Type \_\_\_\_\_

Catalog Number \_\_\_\_\_

Approved by \_\_\_\_\_

### SPECIFICATIONS

**HOUSING:** One piece die-formed prime grade material as specified – see Ordering Information. Corners continuously seam welded and smooth with no post grinding (TIG).

**LENS:** As specified – maximum total thickness .625" – see Ordering Information. Kenall recommends a clear outer lens with a prismatic, textured or diffused inner lens. Two clear lenses used in combination cannot be provided.

**LENS RETENTION:** Vertically adjustable continuous "Z" brackets of prime grade material, secured to housing via thru-studs (6" maximum spacing).

**DOOR:** One-piece die-formed prime grade material as specified – see Ordering Information.

**HINGE:** Staked and welded external piano hinge (1/2" knuckle/ 1/8" diameter pin) standard. See options for Full Length Internal Hinge (IHF).

**FASTENERS:** Hardened stainless steel security screws as specified – see Ordering Information. Fully recessed.

**LUMINOUS SEAL:** Polyurethane foam prevents light leaks from luminaire base.

**FINISH:** TGIC polyester powder coat – 5-stage pre-treatment. Salt spray test: 1,000 hours; Reflectance: 92%.

**ELECTRICAL:** **LED only:** Available 3500K, 4000K and 5000K color temperatures, 82 CRI. 120-277VAC or 347VAC, 50/60Hz electrical input with serviceable high power factor electronic, constant-current driver (<20% THD, >0.95 PF). Standard 0-10V dimming with 1-100% range with dim-to-dark capabilities; 330 µA max. source current. **LF:** Lamp quantity and type as specified – see Ordering Information. Lamps supplied by others. Ballast quantity and type as specified – see Ordering Information. All ballasts UL listed class P. Optional removable reflector/lamp/ballast tray with quick disconnect.

**WARRANTY:** Limited five (5) year warranty on LED lamps.

**LISTINGS:** LF: UL and CUL Listed for Damp Locations. LED only: Luminaire is certified to UL 1598 and UL 8750 standards by Intertek Testing Services. See Ordering Information for Wet Location applications.



### ORDERING INFORMATION (Ex: CD-2-0/0-25L35K-DCC-DV-SYM/B-1-FS)

| Model                               | Size                      | Housing/Door                                      | Lamp Qty | Lamp Type                                       | Driver/Ballast Type | Ballast Qty   | Voltage | Lens (Inner/Outer) | Fasteners | Options |
|-------------------------------------|---------------------------|---|----------|---|---------------------|---|---------|--------------------|-----------|---------|
| <b>CD</b>                           |                           | <b>/</b>  |          |   |                     |   |         | <b>/</b>           |           |         |
| <b>Nominal Size</b>                 |                           | <b>Lamp Type</b>                                  |          | <b>Ballast Quantity (n/a with LED)</b>          |                     | <b>Fastener</b>   |         |                    |           |         |
| 2                                   | 8" x 24"                  | <b>2' Nominal Length</b>                          |          | <b>1</b> One                                    |                     | <b>1</b> Torx® Head w/ Center Pin                                       |         |                    |           |         |
| 4                                   | 8" x 48"                  | 25L35K 25 Watt 3500K LED                          |          | <b>2</b> Two                                    |                     | <b>2</b> Allen Head w/ Center Pin                                       |         |                    |           |         |
|                                     |                           | 25L40K 25 Watt 4000K LED                          |          |   |                     |   |         |                    |           |         |
|                                     |                           | 25L50K 25 Watt 5000K LED                          |          |   |                     |   |         |                    |           |         |
| <b>Housing/Door Material</b>        |                           | <b>4' Nominal Length</b>                          |          | <b>Voltage</b>                                  |                     | <b>Options</b>  |         |                    |           |         |
| 0                                   | 14-Ga CRS (Painted White) | 45L35K 45 Watt 3500K LED                          |          | <b>120</b> 120 Volts                            |                     | <b>EL<sup>•</sup></b> Standard Lumen EL Pack                            |         |                    |           |         |
| 1                                   | 16-Ga CRS (Painted White) | 45L40K 45 Watt 4000K LED                          |          | <b>277</b> 277 Volts                            |                     | <b>LEL<sup>†</sup></b> LED Emergency Battery Backup                     |         |                    |           |         |
| 2*                                  | 18-Ga CRS (Painted White) | 45L50K 45 Watt 5000K LED                          |          | <b>347</b> 347 Volts                            |                     | <b>(4' only, 45L max. lamp type, 32" min., n/a with 347V)</b>           |         |                    |           |         |
| 3                                   | 14-Ga SS (Painted White)  | 67L35K 67 Watt 3500K LED                          |          | <b>DV</b> 120-277 Volts                         |                     | <b>PEL<sup>•</sup></b> High Lumen EL Pack                               |         |                    |           |         |
| 4                                   | 16-Ga SS (Painted White)  | 67L40K 67 Watt 4000K LED                          |          |   |                     | <b>SEL<sup>•</sup></b> Specified EL Pack                                |         |                    |           |         |
| 6                                   | 14-Ga SS (Brushed)        | 67L50K 67 Watt 5000K LED                          |          |   |                     | <b>DLN</b> LED Night Light w/Light Level Control                        |         |                    |           |         |
| 7                                   | 16-Ga SS (Brushed)        | 90L35K 90 Watt 3500K LED                          |          |   |                     | <b>(100% - 20%; voltage-specific selection required, n/a with 347V)</b> |         |                    |           |         |
| <b>Lamp Quantity (n/a with LED)</b> |                           | <b>Driver/Ballast Type</b>                        |          | <b>Lens (Inner/Outer)‡</b>                      |                     | <b>FS</b> Single Fuse & Holder  |         |                    |           |         |
| 1                                   | One                       | DCC† Dimming Constant Current LED Driver          |          | <b>SYM</b> » Symmetric, Diffused DR Acrylic     |                     | <b>IHF</b> Full Length Internal Hinge                                   |         |                    |           |         |
| 2                                   | Two                       | IS Instant Start Electronic <10% THD (T8)         |          | <b>0</b> No Lens                                |                     | <b>KO</b> 1/2" (1.27cm) EMT Knockout                                    |         |                    |           |         |
| 3                                   | Three                     | RS Rapid Start Electronic <10% THD (T8, T5, T5HO) |          | <b>1</b> .125" Prismatic Acrylic                |                     | <b>RGT</b> Removable Gear Tray  |         |                    |           |         |
|                                     |                           |   |          | <b>2</b> .125" Prismatic Polycarbonate          |                     | <b>SK</b> Speaker Housing Extension                                     |         |                    |           |         |
|                                     |                           |   |          | <b>3</b> .125" Textured Polycarbonate           |                     | <b>TN<sup>‡</sup></b> PL Night Light – 5/7/9 Watt                       |         |                    |           |         |
|                                     |                           |   |          | <b>G<sup>†</sup></b> .125" Clear Polycarbonate  |                     | <b>(Lamp supplied by other) (120/277V only)</b>                         |         |                    |           |         |
|                                     |                           |   |          | <b>4</b> .156" Prismatic Polycarbonate          |                     | <b>UV<sup>‡</sup></b> Ultraviolet Filter                                |         |                    |           |         |
|                                     |                           |   |          | <b>TG</b> .156" Textured Tempered Glass         |                     | <b>WL</b> Wet Location Listed   |         |                    |           |         |
|                                     |                           |   |          | <b>6</b> .187" Prismatic Polycarbonate          |                     |   |         |                    |           |         |
|                                     |                           |   |          | <b>7<sup>†</sup></b> .187" Clear Polycarbonate  |                     |   |         |                    |           |         |
|                                     |                           |   |          | <b>8<sup>†</sup></b> .187" Clear Tempered Glass |                     |   |         |                    |           |         |
|                                     |                           |   |          | <b>9<sup>†</sup></b> .250" Clear Polycarbonate  |                     |   |         |                    |           |         |
|                                     |                           |   |          | <b>A<sup>†</sup></b> .250" Clear Tempered Glass |                     |   |         |                    |           |         |
|                                     |                           |   |          | <b>B<sup>†</sup></b> .375" Clear Polycarbonate  |                     |   |         |                    |           |         |
|                                     |                           |   |          | <b>C<sup>†</sup></b> .375" Clear Tempered Glass |                     |   |         |                    |           |         |
|                                     |                           |   |          | <b>J<sup>†</sup></b> .500" Clear Polycarbonate  |                     |   |         |                    |           |         |
|                                     |                           |   |          | <b>P<sup>†</sup></b> .500" Clear Tempered Glass |                     |   |         |                    |           |         |

\* n/a as Door Material  
 • EL Pack n/a with F54T5HO  
 † LED lamping only  
 ‡ n/a with LED lamping  
 » Can only be used with clear outer lens  
 † Refer to lens specifications  
 † Must be paired with prismatic, textured or diffused lens when ordering LED lamps



www.kenall.com

P: 800-4-Kenall

F: 262-891-9701

10200 55th Street Kenosha, Wisconsin 53144

When you see this image, you will know the Kenall product shown or described is designed and manufactured in the USA with components purchased from US suppliers, and meets the Buy American requirements under the ARRA. Kenall has not determined the origin of its domestically purchased components or the subcomponents thereof. May be covered by patents found at www.kenall.com/patents. Content of specification sheets is subject to change; please consult www.kenall.com for current product details. © 2018 Kenall Mfg. Co. All rights reserved.

CD-092018

# MIGHTY MAC™

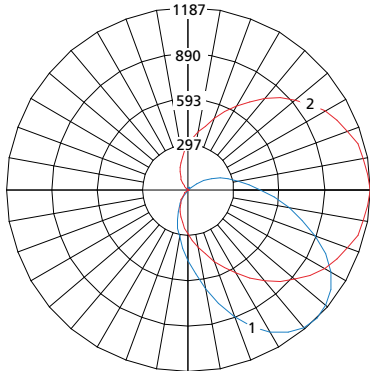
## CD SERIES

### PERFORMANCE

| Model | Lamp Type | Initial Delivered Lumens |                 | Input Power (W) | Drive Current (mA) | Estd. L70 LED Life (Hrs) |
|-------|-----------|--------------------------|-----------------|-----------------|--------------------|--------------------------|
|       |           | @ 25°C                   | Efficacy (lm/W) |                 |                    |                          |
| CD-2  | 25L35K    | 2,347                    | 84              | 28              | 117                | 80,000                   |
|       | 25L40K    | 2,502                    | 89              | 28              | 117                | 80,000                   |
|       | 25L50K    | 2,602                    | 93              | 28              | 117                | 80,000                   |
| CD-4  | 45L35K    | 3,472                    | 69              | 50              | 100                | 80,000                   |
|       | 45L40K    | 3,701                    | 74              | 50              | 100                | 80,000                   |
|       | 45L50K    | 3,850                    | 77              | 50              | 100                | 80,000                   |
|       | 67L35K    | 4,977                    | 67              | 74              | 75                 | 80,000                   |
|       | 67L40K    | 5,306                    | 72              | 74              | 75                 | 80,000                   |
|       | 67L50K    | 5,518                    | 75              | 74              | 75                 | 80,000                   |
|       | 90L35K    | 6,630                    | 67              | 99              | 100                | 80,000                   |
|       | 90L40K    | 6,749                    | 68              | 99              | 100                | 80,000                   |
|       | 90L50K    | 7,018                    | 71              | 99              | 100                | 80,000                   |

Photometry tested to the IESNA LM-79-08 standard by an ILAC/ISO17025 accredited laboratory. For additional photometric data, please go to [www.kenall.com](http://www.kenall.com).

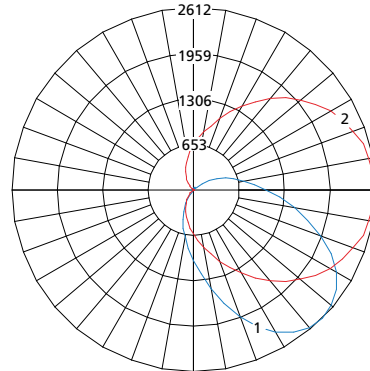
Model: CD-2-w-x-25L40K-DCC-yyy-1/B-z



Maximum Candela = 1187 Located At Horizontal Angle = 0, Vertical Angle = 45

- 1 - Vertical Plane Through Horizontal Angles (0-180) (Through Max. Cd.)
- 2 - Horizontal Cone Through Vertical Angle (45) (Through Max. Cd.)

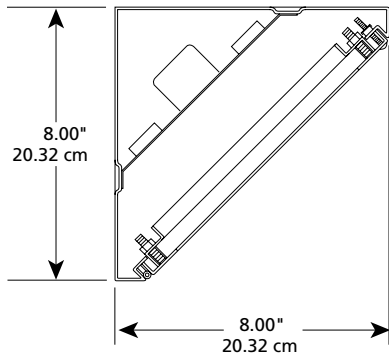
Model: CD-4-w-x-67L40K-DCC-yyy-SYM/B-z



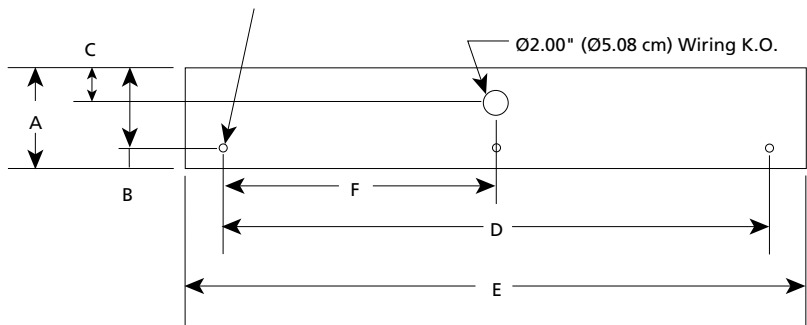
Maximum Candela = 2612 Located At Horizontal Angle = 0, Vertical Angle = 45

- 1 - Vertical Plane Through Horizontal Angles (0-180) (Through Max. Cd.)
- 2 - Horizontal Cone Through Vertical Angle (45) (Through Max. Cd.)

### DIMENSIONAL DATA



CD2 – (4) .62" (1.57 cm) Mounting Holes  
CD4 – (6) .62" (1.57 cm) Mounting Holes



#### DIMENSIONAL DATA (IN INCHES/CM)

|     | A          | B          | C         | D           | E           | F           |
|-----|------------|------------|-----------|-------------|-------------|-------------|
| CD2 | 8.00/20.32 | 6.43/16.33 | 2.75/6.99 | 19.50/49.53 | 25.37/64.44 | —           |
| CD4 | 8.00/20.32 | 6.43/16.33 | 2.75/6.99 | 43.50/110   | 49.37/125   | 21.75/55.25 |



[www.kenall.com](http://www.kenall.com)

P: 800-4-Kenall

F: 262-891-9701

10200 55th Street Kenosha, Wisconsin 53144

When you see this image, you will know the Kenall product shown or described is designed and manufactured in the USA with components purchased from US suppliers, and meets the Buy American requirements under the ARRA. Kenall has not determined the origin of its domestically purchased components or the subcomponents thereof. May be covered by patents found at [www.kenall.com/patents](http://www.kenall.com/patents). Content of specification sheets is subject to change; please consult [www.kenall.com](http://www.kenall.com) for current product details. © 2018 Kenall Mfg. Co. All rights reserved.

CD-092018