

MAS SERIES



**IMPORTANT SAFEGUARDS**

When using electrical equipment, basic safety precautions should always be followed, including the following:

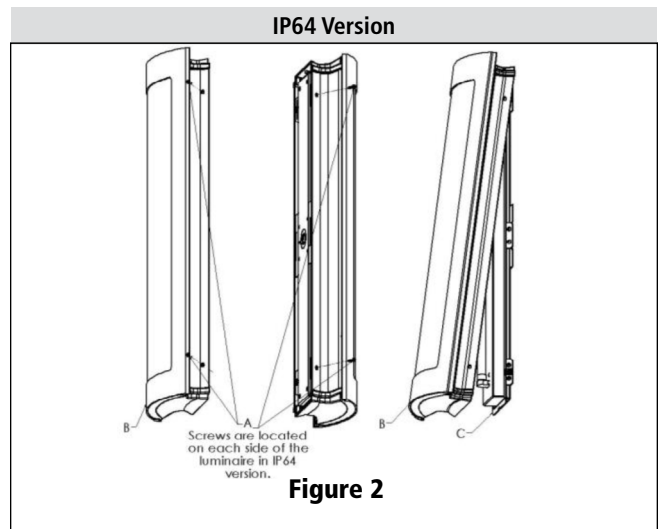
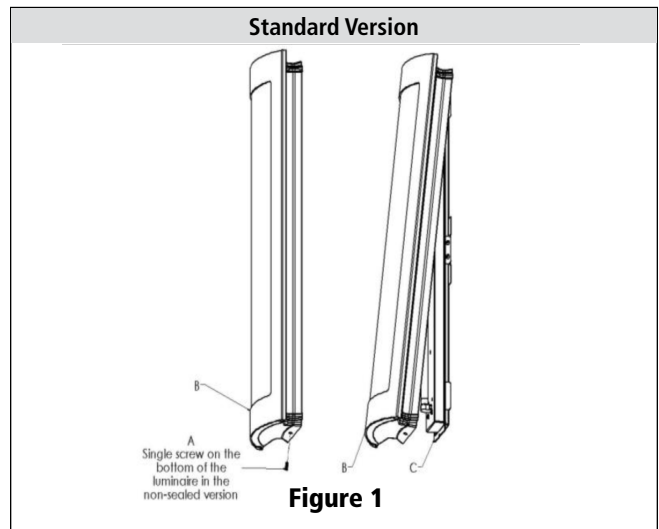
THIS PRODUCT MUST BE INSTALLED IN ACCORDANCE WITH THE APPLICABLE INSTALLATION CODE BY A PERSON FAMILIAR WITH THE CONSTRUCTION AND OPERATION OF THE PRODUCT AND THE HAZARDS INVOLVED. DISCONNECT POWER TO ALL CIRCUITS BEFORE WIRING FIXTURE. INSTALL IN ACCORDANCE WITH ALL NATIONAL, STATE, AND LOCAL CODES. DO NOT CONNECT TO AN UNGROUNDED SUPPLY. READ ALL FIXTURE MARKINGS AND LABELS TO ENSURE CORRECT INSTALLATION OF FIXTURE. SUPPLEMENTAL INSTRUCTIONS MAY BE LOCATED ON THE FIXTURE, IN ADDITION TO THIS INSTRUCTION SHEET, REGARDING ORIENTATION, OR MOUNTING RESTRICTIONS.

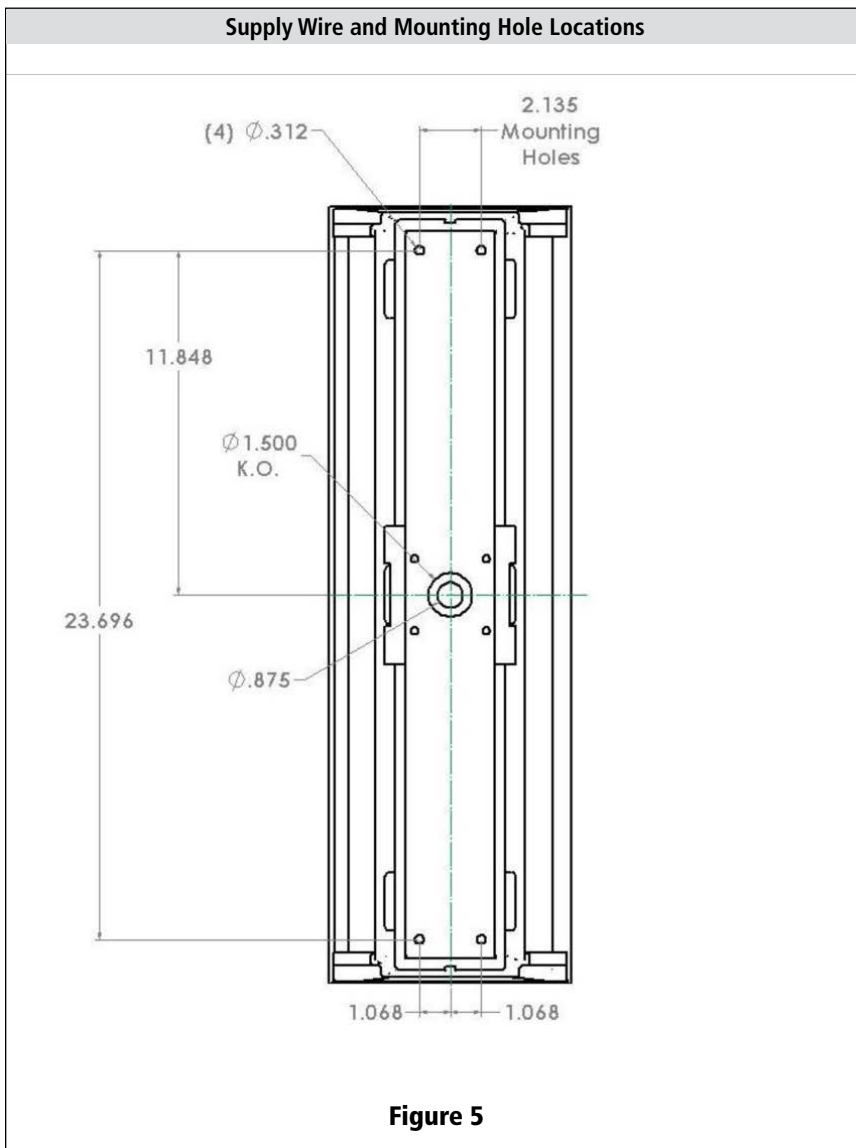
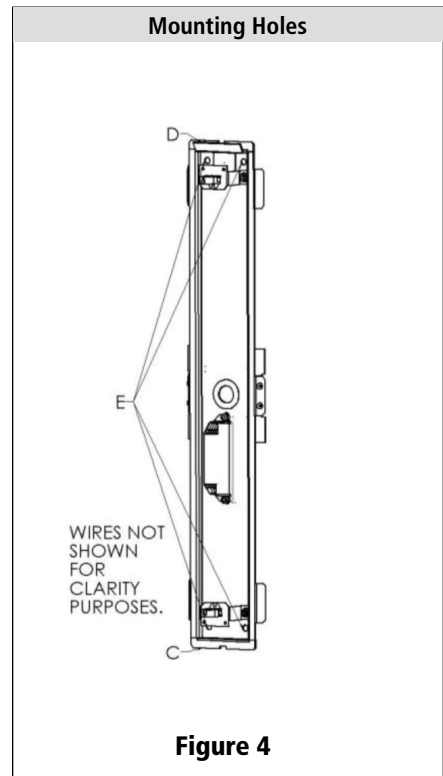
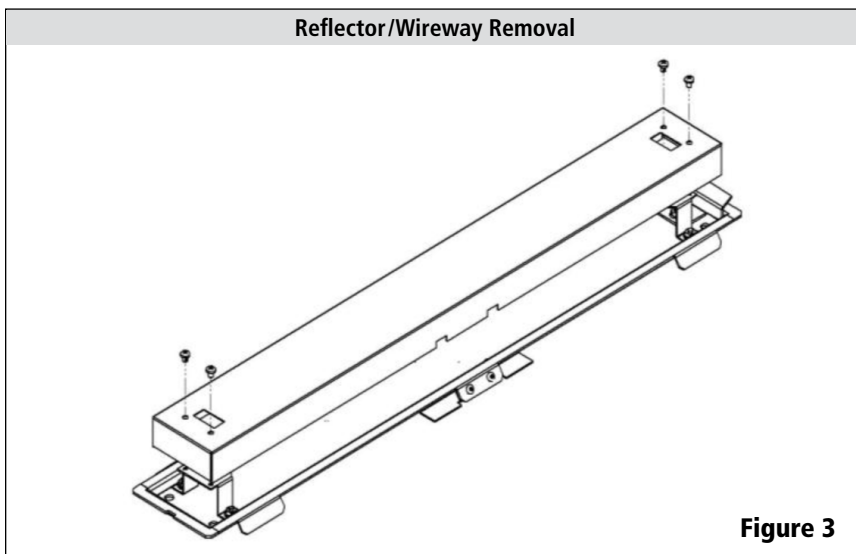
**SAVE THESE INSTRUCTIONS**

**INSTALLATION INSTRUCTIONS**

INSTALLATION

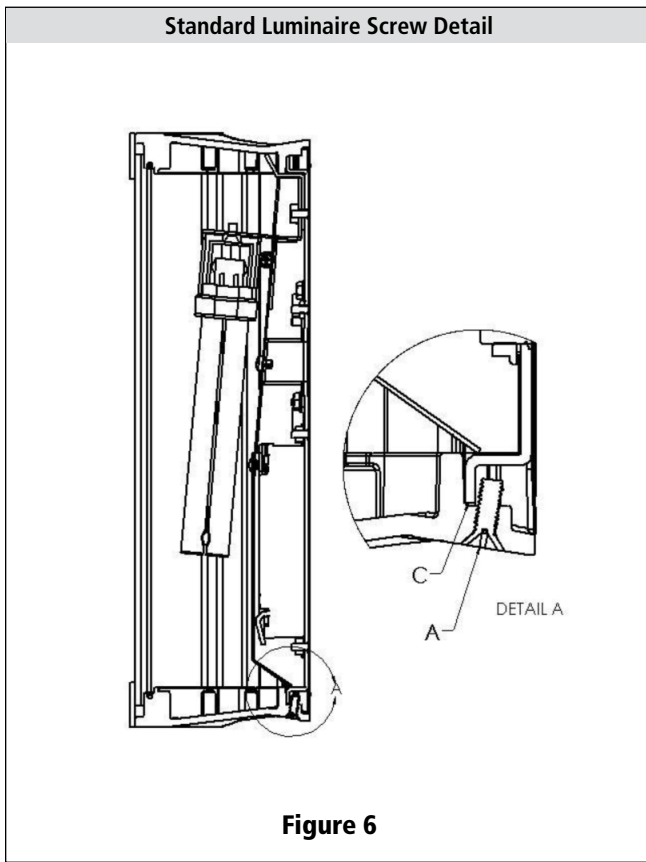
- 1 Remove the screw(s) from the luminaire and unhook front housing (B) from the baseplate assembly (C).
- 2 Remove the reflector / wireway to expose the mounting holes.
- 3 Remove 1.50" knockout in the center of the baseplate (C).
- 4 Use the baseplate (C) as a template and mark the pilot holes (E) on the mount surface. Orient the baseplate (C) with the angle bracket hook (D) at the top.
- 5 Note that the location of the supply wire hole and the mounting holes can vary depending on the lamp option selected.
- 6 IP64 version only: To ensure wet location rating, apply square gasket (supplied) around wire access opening and four round gaskets (supplied) on the wall side of the baseplate.
- 7 Disconnect facility power to the electric power supply leads.
- 8 Connect the luminaire assembly power leads to the power supply leads. Make sure proper ground is made. Use the correct size of connectors that are applicable for the gauge and number of wires (not included).





- 9 Connections to be made in the junction box not in the luminaire.
- 10 Reattach the reflector / wireway with the screws that were removed in step 3.
- 11 Once the reflector / wireway are attached, install the specified lamp of the luminaire.
- 12 Hook the front housing (B) onto the angle bracket hook (D).
- 13 Replace the screw(S) removed in step 1. NOTE: DO NOT PUSH ON OUTER LENS WHEN MOUNTING THE FRONT HOUSING.
- 14 Standard luminaire only: Check to make sure the housing is locked in place. This is achieved when screw (A) is behind the baseplate flange (C). NOTE: DO NOT PUSH ON OUTER LENS WHEN MOUNTING THE FRONT HOUSING.





## CUSTOMER SERVICE

For technical assistance, call 1-800-4KENALL (1-800-453-6255).

## WARRANTY

For warranty information visit [www.kenall.com/Resources/Certified-Performance-Warranties](http://www.kenall.com/Resources/Certified-Performance-Warranties)



[www.kenall.com](http://www.kenall.com)

P: 800-4-Kenall

F: 262-891-9701

10200 55th Street Kenosha, Wisconsin 53144

When you see this image, you will know the Kenall product shown or described is designed and manufactured in the USA with components purchased from US suppliers, and meets the Buy American requirements under the ARRA. Kenall has not determined the origin of its domestically purchased components or the subcomponents thereof. May be covered by patents found at [www.kenall.com/patents](http://www.kenall.com/patents). Content of specification sheets is subject to change; please consult [www.kenall.com](http://www.kenall.com) for current product details. © 2015 Kenall Mfg. Co. All rights reserved.