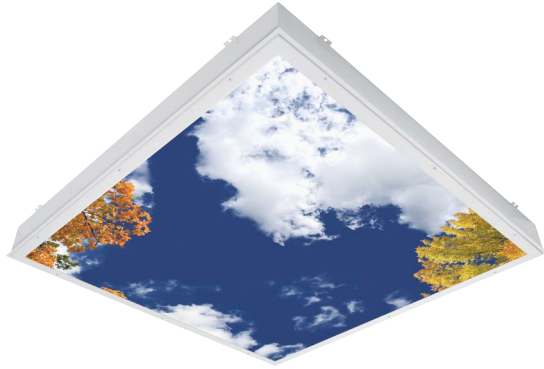


**CSMRI SERIES**

**IMPORTANT SAFEGUARDS**

**When using electrical equipment, basic safety precautions should always be followed, including the following:**



THIS PRODUCT MUST BE INSTALLED IN ACCORDANCE WITH THE APPLICABLE INSTALLATION CODE BY A PERSON FAMILIAR WITH THE CONSTRUCTION AND OPERATION OF THE PRODUCT AND THE HAZARDS INVOLVED. DISCONNECT POWER TO ALL CIRCUITS BEFORE WIRING FIXTURE. INSTALL IN ACCORDANCE WITH ALL NATIONAL, STATE, AND LOCAL CODES. DO NOT CONNECT TO AN UNGROUNDED SUPPLY. READ ALL FIXTURE MARKINGS AND LABELS TO ENSURE CORRECT INSTALLATION OF FIXTURE. SUPPLEMENTAL INSTRUCTIONS MAY BE LOCATED ON THE FIXTURE, IN ADDITION TO THIS INSTRUCTION SHEET, REGARDING ORIENTATION, OR MOUNTING RESTRICTIONS.

**SAVE THESE INSTRUCTIONS**

**INSTALLATION INSTRUCTIONS**

- Disconnect power to all circuits before wiring system.
- Install in accordance with all national, state, and local codes.
- Do not connect to an ungrounded supply.
- Wiring connections must be made internal to the enclosure.
- Failure to install unit on a mechanically-sound surface may result in personal injury, physical damage, or potential fire hazard.
- Use installation procedures appropriate for an environment involving MRI and sensitive electronic equipment.
- Read all markings and labels to ensure correct installation of the power supply. Supplemental instructions may be located on the enclosure, in addition to this instruction sheet, regarding orientation, or mounting restrictions.
- Read instructions provided with the MedMaster™ MRIPSF-480 external power supply system for proper installation and electrical connection to the lighting system.

**I. LIGHTBOX MOUNTING PROCEDURE**

CleanScene MRI™ lightboxes are designed for either 1" or 1½" (G10 or G15 respectively—see product label) T-bar grid systems with vertical grid T thickness of less than ¼". Grid systems can be installed with standard 24" x 24", 24" x 48" or 48" x 48" centerline grid spacing.

Use the following procedure to install the lightbox(es) into the ceiling grid:

- Unpack products from the shipping carton.
- Determine where lightbox(es) will be mounted and note the desired orientation of graphic images within room.

NOTE: For installations with a multiple-configuration (the image is divided among multiple lightboxes), make sure lightbox is oriented to produce a continuous image.

- It is recommended that the door remain attached to the lightbox housing during installation. This will prevent damage to internal components, particularly the LED light sources. All electrical connections are accessible through the external junction box located on the top of the lightbox housing.



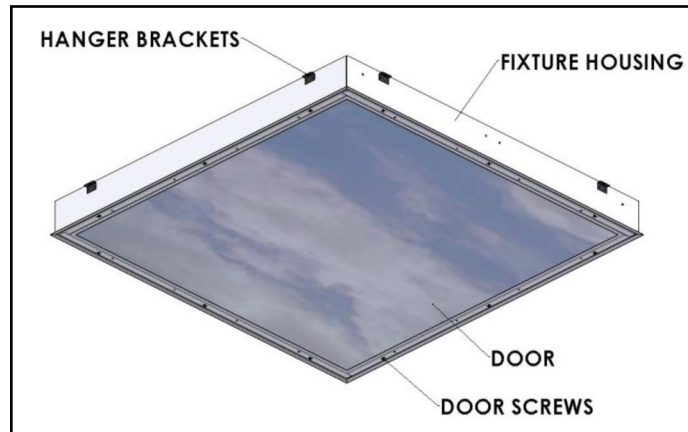


Figure 1: Product Description

- Lift lightbox(es) into ceiling structure using a recommended minimum of two able-bodied individuals.
- Lay lightbox(es) into grid.
- Attach support wires between hanger brackets and ceiling support structure.
- Install the MRIPSF-480 remote power supply and EMI filter in accordance with the supplied installation instructions.
- If a 0-10V dimming circuit is to be connected, install at this time. The 0-10V dimmer must be installed outside the shielded MRI environment with the Kenall MRIFD-1A dimming line filter (or equivalent) installed in accordance with the supplied installation instructions. Kenall recommends the Lutron Diva (DVSTV) and Lutron Nova T (NTSTV-DV) series to ensure full range of dimming can be achieved.

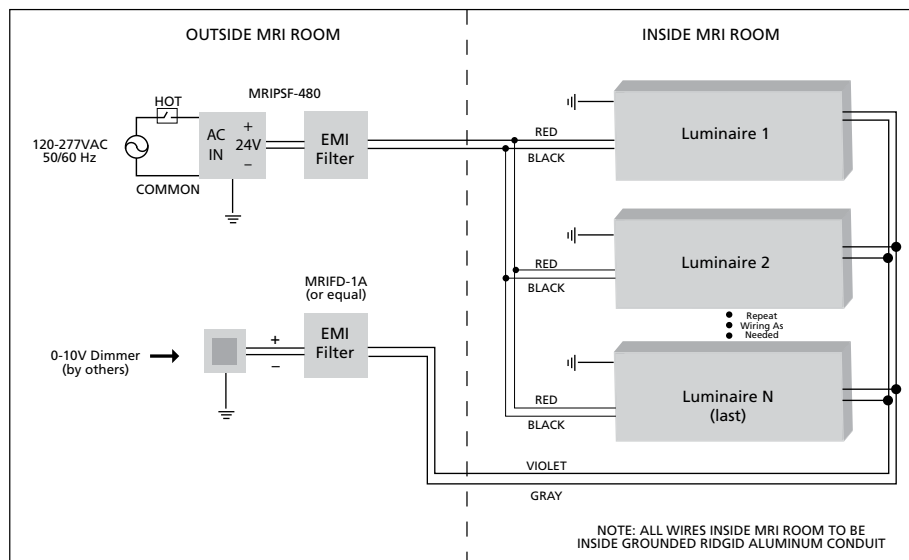


Figure 2: Single-Supply System Schematic

- Run DC wiring, equal in size and temperature rating to the filter input wiring, between the filter output cables and the first luminaire within the shielded room. Follow recommended wiring layout described within Figure 3. All wiring must be within completely-enclosed, grounded conduit suitable for an MRI environment. Any gaps, regardless of size, must be closed or wrapped in copper foil tape. Special attention should be paid to the wiring entry point into the shielded space. Class 1 wiring methods are required.



- Run the dimming signal wiring, equal in specification to the filter input wiring, between the filter output cables and the first luminaire within the shielded room. Maintain polarity between input and output sides of the filter and follow wiring recommendation in Figure 3. All wiring must be within completely enclosed, grounded conduit suitable for an MRI environment. Any gaps, regardless of size, must be closed or wrapped in copper foil tape. Special attention should be paid to the wiring entry point into the shielded space. Cap gray and violet leads at luminaire(s) if dimming function is not implemented.
- Connect power on line voltage side and test system operation. Test operation of lighting system, including dimming functionality, during MRI machine idle mode and during scanning operations.
- Fill out the Installation Registration Form (attached) and fax to Kenall at (262) 891-9701.

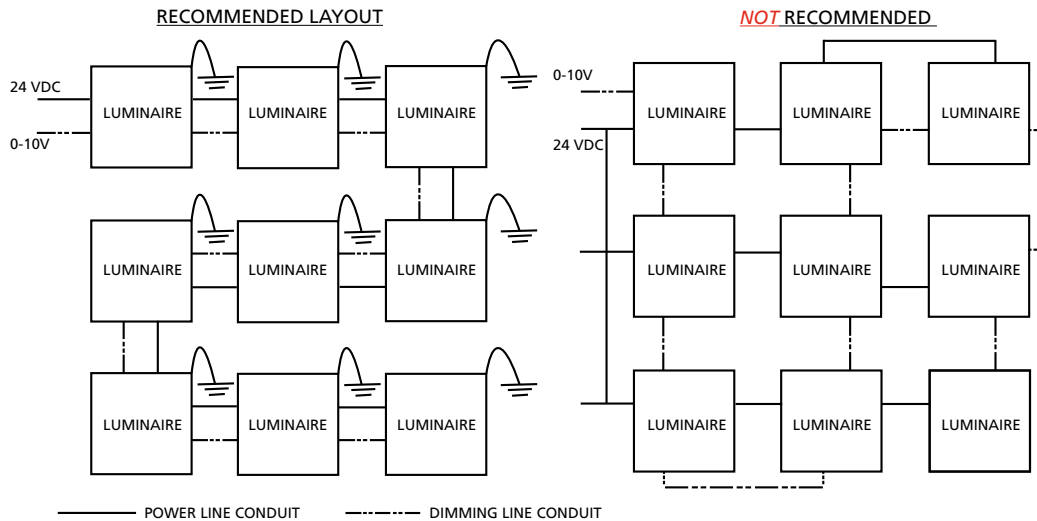


FIGURE 3: Wiring Schematic

## II. DOOR OPENING, CLOSING AND REMOVAL PROCEDURE

NOTE: OPENING THE DOOR DURING NORMAL INSTALLATION IS NOT NECESSARY. ALL WIRING SHOULD BE ACCESSED THROUGH THE EXTERNAL JUNCTION BOX MOUNTING AT THE TOP OF THE LIGHTBOX HOUSING.

### Opening the Door

- Unfasten all door screws. The screws contain a captive washer which prevents it from falling out of the door. Only unfasten to the point where the screw is disengaged from the fixture housing. Door will now hang freely about 1½" below the housing.
- Test operation of lighting during MRI machine idle mode and during scanning operations.
- Disengage spring clips from fixture housing on one side of the door. This will allow the door to pivot down (see WARNING)

WARNING: DO NOT ALLOW THE DOOR TO SWING DOWN FREELY. SERIOUS PERSONAL OR PROPERTY DAMAGE MAY OCCUR. PIVOT DOOR SLOWLY UNTIL IT RESTS VERTICALLY.

- Perform internal maintenance with door hanging vertically. To change graphic image the door will need to be removed.



## Removing the Door

- Open door following instructions in the previous section.
- CSMRI24 and CSMRI44: With door hanging vertically, grasp sides of door frame and lift vertically to disengage the door catch hooks from the housing. The door is now detached from the lightbox. See Figure 4.

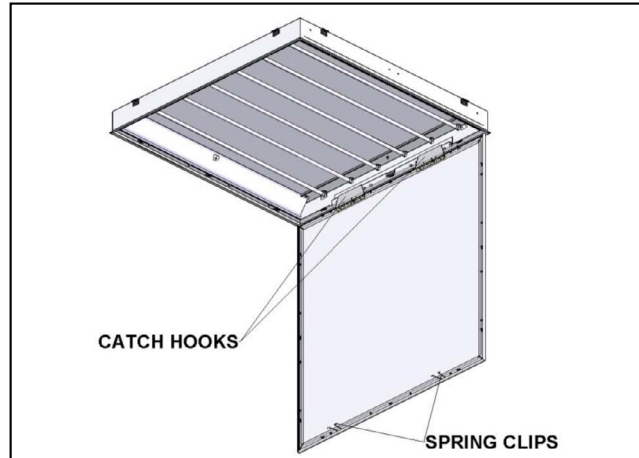


FIGURE 4: Door Attachment

- CSMRI22 only: This product contains four (4) spring clips to retain the door after removing the screws. To remove door, disengage the remaining spring clips.
- Lay door flat on a protected surface while performing maintenance.
- If the intent of removing the door is to change the graphic image, please refer to Section III.

## Installing the Door (CSMRI24 and CSMRI44)

- Lift door with the catch arms upward.
- Hook catch arms into housing flange so that catch arms rest on housing flange and engage the mating slots on the housing.
- The door should now hang freely. Check for proper engagement of catch hooks before closing door.

## Installing the Door (CSMRI22)

- Lift door by spring clips on one side.
- Engage spring clips on one side to hang vertically.

## Closing the Door

- With catch hooks (clips for CSMRI22) properly engaged into housing, swing door from the bottom end, up until the spring clips on the opposite side meet the housing flange.
- Squeeze spring clips and insert into slots on housing flange (located near the lens gasket). Door will now hang horizontally below the lightbox approximately 1½".
- Push up on one side of the door so that the captive lens screws meet the cage nuts attached to the housing.
- Fasten lens screws into place by working around the perimeter. No specific fastening order is required.

Check to ensure that all screws are adequately tightened to maintain ratings on fixture. All screws should be equally torqued—do not over-torque.



**III. CHANGING THE GRAPHIC IMAGE PANEL**

The graphic panel may need to be changed periodically due to desired change of appearance and/or UV degradation. Use the following procedure to replace the graphic panel.

- Unfasten and remove door following the procedure in Section II.

NOTE: HANDLING THE GRAPHIC PANEL SHOULD BE DONE IN A CLEAN, DUST-FREE ENVIRONMENT TO PREVENT TRAPPED PARTICLES BETWEEN THE CLEAR LENS AND THE GRAPHIC PANEL. HANDLE WITH EXTREME CARE BY USING PROTECTIVE MEASURES. SOLVENTS AND OILS FROM THE SKIN MAY PERMANENTLY DAMAGE THE IMAGE.

- Remove hex nuts from all four (4) retaining brackets on the back side of the door. See Figure 5.
- Remove retaining brackets, clear lens, and existing graphic panel.
- Install new graphic panel.
- Check for dust and contaminants on the clear lens surface. Clean if necessary following procedure in Section IV.
- Reinstall retaining brackets. Make sure internal hinge/spring clips are installed on opposite sides of each other and, when installed into the lightbox, will put the image in the correct orientation.

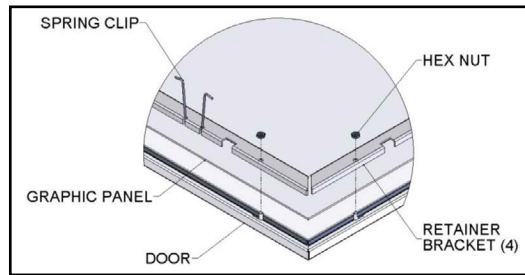


FIGURE 5: Door Assembly

- Fasten all hex nuts to retainer brackets. Torque all fasteners equally to 12 lb-in.
- Reinstall door and fasten lens screws

**IV. CLEANING THE LENS AND GRAPHIC PANEL**

Use the following procedure to properly clean the graphic panel and clear acrylic lens. This should be done in a clean, dust-free environment to avoid additional contamination. The printed side of the graphic panel is a sensitive photographic film. Handle with extreme care. Avoid contact with solvents and oils from the skin as they may permanently damage the image.

- Remove graphic panel from door.
- Gently wipe down image with a clean, damp micro-fiber cloth. Hard wiping and abrasive cloths will scratch the film and clear lens.
- For heavier smudges and residue, use a diluted mild dish soap solution. Afterward, rinse-off solution with a clean, damp microfiber cloth.
- Dry panels with a clean, dry micro-fiber cloth.

**CUSTOMER SERVICE**

For technical assistance, call 1-800-4KENALL (1-800-453-6255).

**WARRANTY**

For warranty information visit [www.kenall.com/Resources/Certified-Performance-Warranties](http://www.kenall.com/Resources/Certified-Performance-Warranties)



[www.kenall.com](http://www.kenall.com)

P: 800-4-Kenall

F: 262-891-9701

10200 55th Street Kenosha, Wisconsin 53144

When you see this image, you will know the Kenall product shown or described is designed and manufactured in the USA with components purchased from US suppliers, and meets the Buy American requirements under the ARRA. Kenall has not determined the origin of its domestically purchased components or the subcomponents thereof. May be covered by patents found at [www.kenall.com/patents](http://www.kenall.com/patents). Content of specification sheets is subject to change; please consult [www.kenall.com](http://www.kenall.com) for current product details. © 2015 Kenall Mfg. Co. All rights reserved.