

CSE SERIES - HID & LF - OVERLAPPING AND EXTENDED FLANGE DOORS



IMPORTANT SAFEGUARDS

When using electrical equipment, basic safety precautions should always be followed, including the following:

THIS PRODUCT MUST BE INSTALLED IN ACCORDANCE WITH THE APPLICABLE INSTALLATION CODE BY A PERSON FAMILIAR WITH THE CONSTRUCTION AND OPERATION OF THE PRODUCT AND THE HAZARDS INVOLVED. DISCONNECT POWER TO ALL CIRCUITS BEFORE WIRING FIXTURE. INSTALL IN ACCORDANCE WITH ALL NATIONAL, STATE, AND LOCAL CODES. DO NOT CONNECT TO AN UNGROUNDED SUPPLY. READ ALL FIXTURE MARKINGS AND LABELS TO ENSURE CORRECT INSTALLATION OF FIXTURE. SUPPLEMENTAL INSTRUCTIONS MAY BE LOCATED ON THE FIXTURE, IN ADDITION TO THIS INSTRUCTION SHEET, REGARDING ORIENTATION, OR MOUNTING RESTRICTIONS.

SAVE THESE INSTRUCTIONS

INSTALLATION INSTRUCTIONS

Install in compliance with the National Electric Code, any applicable local codes and any specific instructions given on the luminaire labels. If installing in conjunction with any additional options and/or accessories, also refer to the respective instruction sheets. For installation only by a qualified electrician.

NOTE: To maintain the ratings and approvals noted on the fixture nameplate, any fittings or mounting hardware supplied with this fixture, must be used with this fixture. If lag screws are provided and the mounting surface does not facilitate the use of lag screws, alternate hardware can be used, provided the enclosed nylon washer is used under the head of the fastener. The conduit hub (if option selected) shipped with the fixture must also be used with the wiring method selected to maintain the integrity of the fixture.

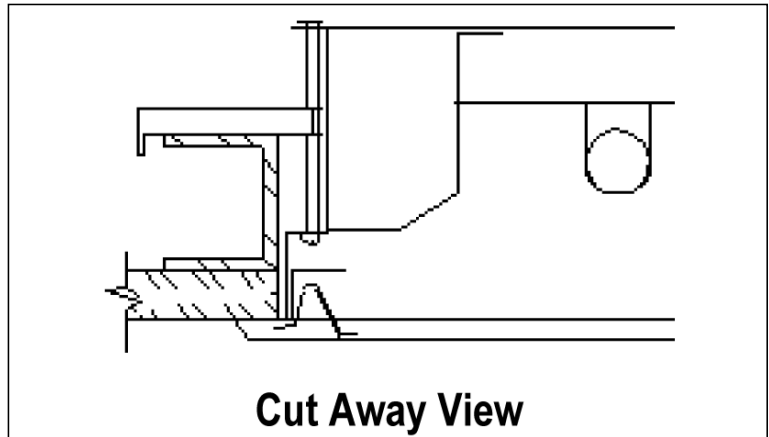
SURFACE MOUNTED FIXTURES

1. Use mounting hardware (if provided) to secure the fixture to its location. If no hardware is supplied, any appropriate hardware can be used. Fixtures with external mounting tabs must be mounted using all tabs.
2. Position doorframe into housing opening and start all screws by hand.
3. Tighten doorframe hardware to seal doorframe to housing.



RECESSED FLANGE FIXTURES

1. To ensure an adequate seal between the flange and the ceiling system, it is important to have a square opening and a flat ceiling surface. When gypsum is used as the base material it should have adequate thickness to resist bowing. See appropriate specification sheet or contact Kenall directly for recommended ceiling cutout dimension. The cutout opening should be accurate to within a 1/16 of an inch.



2. Framing around the entire opening is recommended and should start at the rough opening. The minimum thickness of the ceiling material plus the frame material is 1-½ inches. The maximum thickness of the ceiling and framing material is 4 inches. Typically, 1-5/8 Unistrut® is used to frame the opening because of its straightness, but straight lumber can also be used.
3. Gypsum board shall be secured to the framing material around the opening. The ceiling surface around the opening shall be flat and smooth and not run (deviate from a straight edge) more than 1/32 inch over 2 feet. The opening should always be cut into whole pieces of gypsum. Ceiling seams and joints shall be outside of fixture cutouts. Structural members running under the gypsum shall be whole pieces around the cutouts and run the length of the cutout, not just under the swing arm bracket.
4. Swing arm brackets are used to mount fixture to ceiling structure After creating the rough opening, frame the opening on the plenum side of the ceiling.
5. Place a continuous bead of approved* caulk on the back side of the housing flange. Remove tape used to secure swing arm mounting brackets to housing during shipping.
6. Connect the appropriate flexible raceway system to the hub and raise the fixture into the opening.
7. Turn each of the 4 mounting screws approximately ½ turn to swing the arm away from the housing and then lower the fixture, letting the swing arm brackets come to rest on framing.
8. Continue tightening mounting screws until the fixture is firmly seated in the cutout. Position door frame into housing opening and start all screws by hand.
9. Tighten doorframe hardware to seal fixture and ceiling plenum. NOTE: Certain applications will use a stainless steel recessed frame to frame the rough opening.
10. Apply approved* caulk to the back side of the recessed frame and to the back side of the fixture housing to insure a seal between plenum and housing.

RECESSED GRID FIXTURES

1. Fixture is designed for use with 1.00", 1.50" or 2.00" T bar grid systems with vertical grid T thickness' of less than ¼" with a maximum height of 2.00". Grid systems can be installed with standard 12, 24 or 48" center line spacing of grid.
2. Fixture housing lays into grid. Position door frame into housing opening and start all screws by hand.
3. Tighten doorframe hardware to seal doorframe to grid.

*GE brand RTV-108 room temperature vulcanizing silicone, or a type approved by the building owner/consulting engineer for the application.



CUSTOMER SERVICE

For technical assistance, call 1-800-4KENALL (1-800-453-6255).

WARRANTY

For warranty information visit www.kenall.com/Resources/Certified-Performance-Warranties



www.kenall.com

P: 800-4-Kenall

F: 262-891-9701

10200 55th Street Kenosha, Wisconsin 53144

When you see this image, you will know the Kenall product shown or described is designed and manufactured in the USA with components purchased from US suppliers, and meets the Buy American requirements under the ARRA. Kenall has not determined the origin of its domestically purchased components or the subcomponents thereof. May be covered by patents found at www.kenall.com/patents. Content of specification sheets is subject to change; please consult www.kenall.com for current product details. © 2015 Kenall Mfg. Co. All rights reserved.