

# MIGHTY MAC™

## WCBU SERIES

### PRODUCT FEATURES:

- » Surface wall mount – (9"×11")×29", (9"×11")×53"
- » Two apertures provide up and down light
- » TIG welded housing with no post grinding for additional strength
- » Vertically adjustable bracket secured to housing via thru-studs
- » Bull-nose edged for anti-ligature and patient safety



### PROJECT INFORMATION

Job Name \_\_\_\_\_

Fixture Type \_\_\_\_\_

Catalog Number \_\_\_\_\_

Approved by \_\_\_\_\_

### SPECIFICATIONS

**HOUSING:** One-piece die-formed prime grade material as specified – see Ordering Information. Corners continuously seam welded and smooth with no post grinding (TIG). Clamshell housing resistant to penetration and contraband concealment. Completely-concealed 24" internal drop slot piano hinge (1/2" knuckle / 1/8" diameter pin) standard; pin secured to knuckle; hinge welded to housing and mounts to baseplate via keyholes. See Options for full length internal hinge (IHF). Gloss white TGIC polyester powder coat finish with 5-stage pre-treatment. Reflectance 92%. Salt spray test: 1,000 hours.

**BASEPLATE:** Prime grade material as specified – see Ordering Information. Die-formed blade trap (1/4" minimum) prevents contraband concealment and access. Embossed standoffs prevent distortion.

**LENS:** As specified – maximum thickness .625" – see Ordering Information. Kenall recommends the diffused DR acrylic (SYM) or textured/prismatic inner lens and a clear outer lens. Two clear lenses used in combination cannot be provided. Vertically adjustable continuous "Z" brackets of prime grade material, secured to housing via thru-studs (6" maximum spacing).

**FASTENERS:** Hardened security screws as specified – see Ordering Information. Fully recessed.

**ELECTRICAL:** Serviceable mid-power LED array with multiple CCT options. 82CRI minimum. Maximum 3-step MacAdam variation allowance. 120-277VAC and 347VAC, 50/60Hz electrical input with serviceable high power factor, constant-current LED driver (<20% THD, >0.95 PF). Standard 0-10V dimming with 1-100% range and dim-to-dark capabilities (non dim-to-dark on 347V input). 165µA maximum source current. Lamp Power option is per aperture and are separate circuits. Consult factory for linear fluorescent options.

**LUMINOUS SEAL:** Polyurethane foam prevents light leaks from luminaire base.

**INSTALLATION:** Surface wall mount. Fixture not suitable for Surface Conduit or Continuous Row Mounting.

**WARRANTY:** Limited five (5) year warranty on LED lamps.

**PHOTOMETRICS:** Photometry tested to the IESNA LM-79-08 standard by an independent ILAC/ISO17025 accredited laboratory. For additional photometric data, please go to [www.kenall.com](http://www.kenall.com)

**LISTINGS:** Luminaire is certified to UL 1598 and UL 8750 standards by Intertek Testing Services for Damp Locations.



### ORDERING INFORMATION (Ex: WCBU-4-0/0-45L35K-DIM1-DV-SYM/B-1-LEL)

Model	Size	Hsg./Base Plate	Lamp Power	Driver Type	Voltage	Lens (Inner/Outer)	Fasteners	Options
<b>WCBU</b>		<b>/</b>		<b>DIM1</b>		<b>/</b>		
<b>Nominal Size</b>		<b>Lamp Power</b>		<b>Driver Type</b>		<b>Options</b>		
2	(9"×11")×29"	<b>2' Nominal Length</b>		0	No Lens	<b>LEL</b> Integral 8.4W Emergency Battery Backup (4' only, wired to down lamp; n/a 347V, 0°C min ambient)		
4	(9"×11")×53"	<b>25L30K</b> 25 Watt 3000K LED		SYM	Symmetric, Diffused DR Acrylic	<b>LELST</b> Integral 6W Self-Testing Emergency Battery Backup (4' only, wired to down lamp n/a 347V, 0°C min ambient)		
<b>Housing/Base Material</b>		<b>25L35K</b> 25 Watt 3500K LED		1	.125" Prismatic Acrylic	<b>FS</b> Fuse & Holder		
0	14-Ga CRS (Painted White)	<b>25L40K</b> 25 Watt 4000K LED		2	.125" Prismatic Polycarbonate	<b>DLNA</b> Amber LED Night Light (100%-20%, voltage-specific selection required)		
3	14-Ga SS (Painted White)	<b>25L50K</b> 25 Watt 5000K LED		3	.125" Textured Polycarbonate	<b>DLN</b> White LED Night Light (100%-20%, voltage-specific selection required)		
6*	14-Ga SS (Brushed)	<b>4' Nominal Length</b>		G	.125" Clear Polycarbonate	<b>IHF</b> Internal Full-Length Hinge		
		<b>45L30K</b> 45 Watt 3000K LED		4	.156" Prismatic Polycarbonate	<b>RPL</b> Recessed Push Switch - Left Side		
		<b>45L35K</b> 45 Watt 3500K LED		TG	.125" Textured Tempered Glass	<b>RPR</b> Recessed Push Switch - Right Side		
		<b>45L40K</b> 45 Watt 4000K LED		6	.187" Prismatic Polycarbonate			
		<b>45L50K</b> 45 Watt 5000K LED		7	.187" Clear Polycarbonate			
		<b>Driver Type</b>		8	.187" Clear Tempered Glass			
		<b>DIM1</b> 0-10V Dimming to 1%		9	.250" Clear Polycarbonate			
		<b>Voltage</b>		A	.250" Clear Tempered Glass			
		<b>120</b> 120 Volts		B	.375" Clear Polycarbonate			
		<b>277</b> 277 Volts		C	.375" Clear Tempered Glass			
		<b>347</b> 347 Volts		J	.500" Clear Polycarbonate			
		<b>DV</b> 120-277 Volts		PA	.500" Clear Tempered Glass			
		<b>Fasteners</b>						
		<b>1</b> Torx® Head w/ Center Pin						
		<b>2</b> Allen Head w/ Center Pin						



[www.kenall.com](http://www.kenall.com) | P: 800-4-Kenall | F: 262-891-9701 | 10200 55th Street Kenosha, Wisconsin 53144, USA

A brand of **legrand**

This product complies with the Buy American Act: manufactured in the United States with more than 50% of the component cost of US origin. It may be covered by patents found at [www.kenall.com/patents](http://www.kenall.com/patents). Content of specification sheets is subject to change; please consult [www.kenall.com](http://www.kenall.com) for current product details. ©2019 Kenall Mfg. Co.

# MIGHTY MAC™

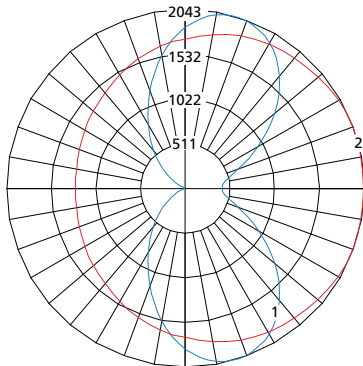
## WCBU SERIES

### PERFORMANCE

Lamp Power	Initial Delivered Lumens		Input Power (W)	Drive Current (mA)	Estd. L70 LED Life (Hrs)
	Lumen Output (lm)	Efficacy (lm/W)			
25L30K	4,348	77	57	117	80,000
25L35K	4,483	79	57	117	80,000
25L40K	4,636	82	57	117	80,000
25L50K	4,821	85	57	117	80,000
45L30K	8,233	88	94	100	80,000
45L35K	8,487	90	94	100	80,000
45L40K	8,777	94	94	100	80,000
45L50K	9,128	97	94	100	80,000

NOTE: All products tested with SYM/B lens configuration. See "Lumen Output Scaling Factor" table for output values with alternate lens configurations. Information subject to change without notice. Visit [www.kenall.com](http://www.kenall.com) for IES files and additional information.

Model: WCBU-4-x-y-45L40K-DIM1-z-SYM-B-1



Maximum Candela = 2043 Located At Horizontal Angle = 15, Vertical Angle = 17.5

- 1 - Vertical Plane Through Horizontal Angles (15-195) (Through Max. Cd.)
- 2 - Horizontal Cone Through Vertical Angle (17.5) (Through Max. Cd.)

### LUMEN OUTPUT SCALING FACTORS

Lens Configuration	Inner Lens	Outer Lens	Scaling Factor
SYM/G	1/8" Frost Acrylic	1/8" Clear PC	1.10
SYM/7		3/16" Clear PC	1.06
SYM/8		3/16" Clear TG	1.06
SYM/9		1/4" Clear PC	1.03
SYM/B		3/8" Clear PC	1.00
SYM/C		3/8" Clear TG	1.03
SYM/J		1/2" Clear PC	0.99
1/G		1/8" Prismatic Acrylic	1/8" Clear PC
1/9	1/4" Clear PC		0.99
1/B	3/8" Clear PC		0.99
2/J	1/8" Prismatic PC	1/2" Clear PC	0.87

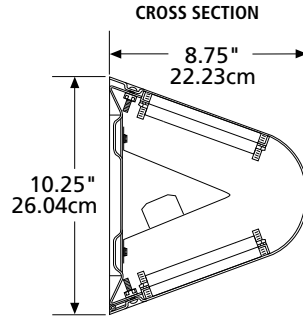
NOTE: Use this table to determine the lumen output and efficacy of the desired lens configuration by multiplying the provided value with the appropriate number in the "Performance" table above.



# MIGHTY MAC™

## WCBU SERIES

### DIMENSIONAL DATA

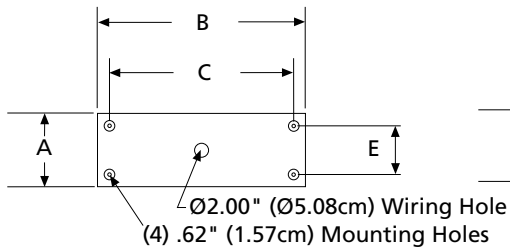


#### DIMENSIONAL DATA (IN INCHES & CM)

	A	B	C	D	E
<b>29" Length</b>	10.25 (73.66cm)	28.75 (73.03cm)	24.00 (60.96cm)	—	5.00 (12.70cm)
<b>53" Length</b>	10.25 (1.35m)	52.75 (134cm)	48.00 (122cm)	24.00 (60.96cm)	5.00 (12.70cm)

### MOUNTING HOLES

29" (73.66cm) MOUNTING



53" (135cm) MOUNTING

