

MEDMASTER™ VANITY MIRROR

Patient Room Luminaires

VL23 SERIES



PRODUCT FEATURES:

- » Wall Mount – 35" x 28"
- » Ideal for healthcare patient rooms, restrooms or dressing areas
- » Continuous hinge with left or right door access for relamping
- » Surface mount capability
- » ADA compliant

SPECIFICATIONS

HOUSING: One-piece 18-gauge CRS. Corners continuously seam welded and smooth. TGIC polyester powder coat gray – 5-stage pre-treatment. Salt spray test: 1,000 hours.

DOORFRAME: 18-gauge Type 304 stainless steel with brushed finish. 45° beveled perimeter construction with welded corners. Doorframe secured to housing with continuous hinge and 2 concealed stainless steel Torx® head with center pin fasteners. Continuous lens and mirror retention system.

LENSES/MIRROR: 0.125" thick white acrylic lenses and 0.125" thick, safety-backed mirror sealed to doorframe with silicone gaskets.

ELECTRICAL: Replaceable high-brightness LED array; ANSI 3000K color temperature; 90 CRI. 120-277VAC high-power factor constant current driver. 10-100% dimming with compatible 0-10V current sink dimmer. Consult factory for fluorescent options.

INSTALLATION: Four .312" diameter holes. Universal mounting allows fixture to be installed such that door will open from right or left for relamping.

PHOTOMETRICS: Photometry tested to the IESNA LM-79-08 standard by an ILAC/ISO17025 accredited laboratory. For additional photometric data, please go to www.kenall.com.

WARRANTY: Limited five (5) year LED warranty.

LISTINGS: Luminaire is certified to UL standards by Intertek Testing Laboratories for damp locations. ADA compliant. NSF2 Splash/Non-Food Zone. Kenall certifies product by both Underwriters and Intertek Testing Laboratories.



PROJECT INFORMATION

Job Name _____

Fixture Type _____

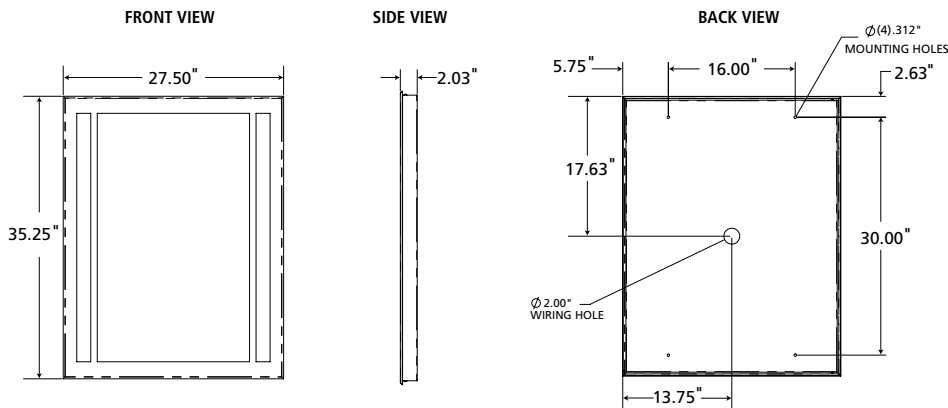
Catalog Number _____

Approved by _____

ORDERING INFORMATION (Ex: VL23-38L30K-DCC-120-PH)

Model	Lamp Type	Driver	Voltage	Option
VL23	38L30K	DCC		
	Lamp Type (1 per side) 38L30K 38 Watt 3000K LED	Drive DCC Dimming Constant Current	Voltage 120 120 Volts 277 277 Volts DV 120-277 Dual Volts	Options PH Phillips-head Fasteners

DIMENSIONAL DATA



www.kenall.com | P: 800-4-Kenall | F: 262-891-9701 | 10200 55th Street Kenosha, Wisconsin 53144, USA

A brand of **legrand**

This product complies with the Buy American Act: manufactured in the United States with more than 50% of the component cost of US origin. It may be covered by patents found at www.kenall.com/patents. Content of specification sheets is subject to change; please consult www.kenall.com for current product details. ©2019 Kenall Mfg. Co.