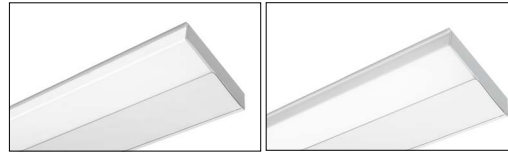


STRATALUME™

UC SERIES

PRODUCT FEATURES:

- » 5"Wx1"Hx1', 2', 3' or 4'L
- » Undercabinet Lighting



UCDL

UCSL

PROJECT INFORMATION

Job Name _____

Fixture Type _____

Catalog Number _____

Approved by _____

SPECIFICATIONS

HOUSING: 20-gauge CRS. White TGIC polyester powder coat – 5-stage pre-treatment. Salt spray test: 1,000 hours; Reflectance: 92%. Flush end design for continuous row mounting. See Options for stainless steel type 304 brushed housing (SSH).

LENS: UC DL: High impact, extruded wraparound opal diffuser – 100% DR acrylic. Nominal thickness .065". Pliable non-yellowing lens material snaps in place for quick relamping. UC SL: Flat P12 prismatic acrylic lens. Nominal thickness .125". Pliable non-yellowing lens material lies in place for quick relamping.

ELECTRICAL: Electronic ballast Class P and ETL/CBM certified high power factor. See Options for integral 120 V Cord & Plug (CP). See Accessory for field installed 120 V Cord & Plug (CPA).

INSTALLATION: Multidirectional keyhole mounting slots – see Cross Section/Details. Installation kit included.

WARRANTY: Limited one (1) year Kenall fluorescent warranty.

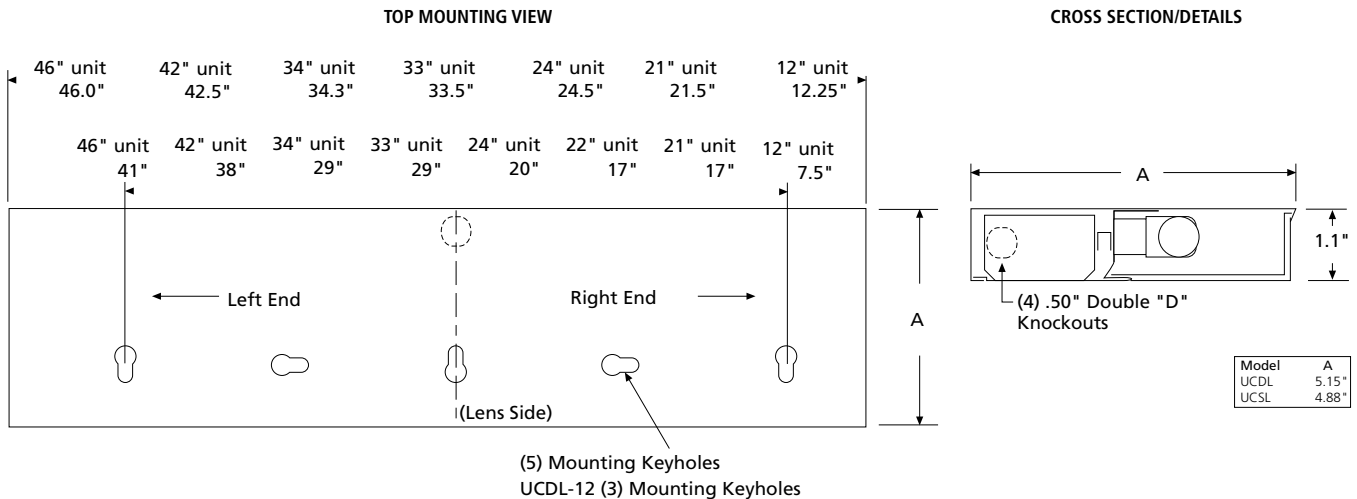
LISTINGS: UL and CUL listed for Damp Location. Lifetime warranty against defects in workmanship and materials (lamps excluded) for product life of original installation.



ORDERING INFORMATION (Ex: USCL-22-RS-120)

Model	Length/Lamp	Ballast	Voltage	Options	Accessory
RS					
Model	Length/Lamps		Voltage		Accessory
UCDL Luminous Front	12* 12.312" one 8 Watt (F8T5)		120 120 Volts		CPA* Cord & Plug with wiring kit
UCSL Solid Front	21* 21.5" one 13 Watt (F13T5)		277 277 Volts		
	22 22.5" one 14 Watt (F14T5)				
	24* 24.5" two 8 Watt (F8T5)				
	33* 33.5" one 8 Watt (F8T5) & one 13 Watt (F13T5)				
	34 34.3" one 21 Watt (F21T5)				
	42* 42.5" two 13 Watt (F13T5)				
	46 46" one 28 Watt (F28T5)				
	Ballast				
	RS Rapid Start Electronic <10% THD				
			Options		* 120 Volts only
			BW Batwing Distribution Lens (UCSL only)		
			CO* Convenience Outlet – Non-GFI Receptacle		
			CP* Cord & Plug (specify left, right, top, back location)		
			FS Single Fuse & Holder		
			SSH Stainless Steel Type 304 Brushed Housing		
			SW Rocker Switch		

DIMENSIONAL DATA



www.kenall.com | P: 800-4-Kenall | F: 262-891-9701 | 10200 55th Street Kenosha, Wisconsin 53144, USA

A brand of **legrand**

This product complies with the Buy American Act: manufactured in the United States with more than 50% of the component cost of US origin. It may be covered by patents found at www.kenall.com/patents. Content of specification sheets is subject to change; please consult www.kenall.com for current product details. ©2019 Kenall Mfg. Co.