

MIGHTY MAC™

TSDD SERIES

PRODUCT FEATURES:

- » Surface ceiling mount – 24"×24", 24"×48"
- » One piece housing
- » Ideal for Wet Locations



PROJECT INFORMATION

Job Name _____

Fixture Type _____

Catalog Number _____

Approved by _____

SPECIFICATIONS:

HOUSING: One-piece seam welded type 304 stainless steel construction. See Ordering Information for gauge and finish.

LENS: As specified – maximum inner/outer lens combination thickness .500" – see Ordering Information. Lens sealed to door with silicone caulk and secured with continuous lens retention angles. Kenall recommends a prismatic inner lens and a clear outer lens. Two clear lenses used in combination cannot be provided.

LENS RETENTION: Vertically adjustable continuous "Z" brackets – prime grade material. Secured to door with thru-studs.

DOOR: Type 304 stainless steel construction. See Ordering Information for gauge and finish. Door sealed to housing with closed-cell neoprene gasketing.

HINGE: Continuous heavy gauge stainless steel piano type hinge. Hinge welded to housing and secured to door.

FASTENERS: Torx® Head stainless steel fasteners standard. See Options for stainless steel center-pin reject Allen Head (AH) or Phillips Head (PH) fasteners.

FINISH: Brushed stainless steel finish (#4) or white TGIC polyester powder coat – 5-stage pre-treatment; Salt spray test: 1,000 hours; Reflectance: 92%.

LAMPS: Quantity and type as specified – see Ordering Information. Lamps supplied by others.

ELECTRICAL: Electronic ballast <10% THD standard. See Ordering Information for multiple ballasts and optional equipment. Lamps by others.

INSTALLATION: For housing without wiring knockout and mounting knockouts, see Field Drilled Installation Holes Option. (FDIH).

WARRANTY: Limited one (1) year Kenall fluorescent warranty.

LISTINGS: UL and CUL listed for Wet Location.



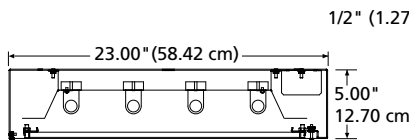
ORDERING INFORMATION (Ex: TSDD-2-3-2-17-IS-1-120-1/B)

Model	Size	Door/Housing	Lamp Qty	Lamp Type	Ballast Type	Ballast Qty	Voltage	Lens (Inner/Outer)	Options
TSDD									
								/	
Nominal Size		Lamp Quantity		Ballast Quantity		Options			
2	24"×24"	2	Two	1	One	EL* Standard Lumen EL Pack			
4	24"×48"	3	Three	2	Two	PEL* High Lumen EL Pack			
		4	Four			SEL* Specified EL Pack			
Housing/Door Material		Lamp Type		Voltage		AH Allen Head fasteners			
3	14-Ga SS (Painted)	2	F32T8	120	120 Volts	FDIH Field Drilled Installation Holes			
4	16-Ga SS (Painted)	2	F31T8 (3 Lamp Max.)	277	277 Volts	FS Single Fuse & Holder			
A	18-Ga SS (Painted)	4	F40TT	347	347 Volts	KO Two 1/2" EMT Conduit Entry Knockouts (one per end cap)			
6	14-Ga SS (Brushed)					PH Phillips Head fasteners			
7	16-Ga SS (Brushed)					SSIN Stainless Steel Interior			
B	18-Ga SS (Brushed)								
4' Nominal Length		Ballast Type		Lens (Inner/Outer)‡					
32	F32T8	IS	Instant Start Electronic <10% THD (T8,T8HO)	0	No Lens				
44	F48T8HO	RS	Rapid Start Electronic <10% THD (CFL,T8,T8HO)	1	.125" Prismatic Acrylic				
		SB	Specified Ballast	2	.125" Prismatic Polycarbonate				
				3	.125" Textured Polycarbonate				
				G	.125" Clear Polycarbonate				
				4	.156" Prismatic Polycarbonate				
				TG	.156" Textured Tempered Glass				
				6	.187" Prismatic Polycarbonate				
				7	.187" Clear Polycarbonate				
				8	.187" Clear Tempered Glass				
				9	.250" Clear Polycarbonate				
				A	.250" Clear Tempered Glass				
				B	.375" Clear Polycarbonate				
				C	.375" Clear Tempered Glass				

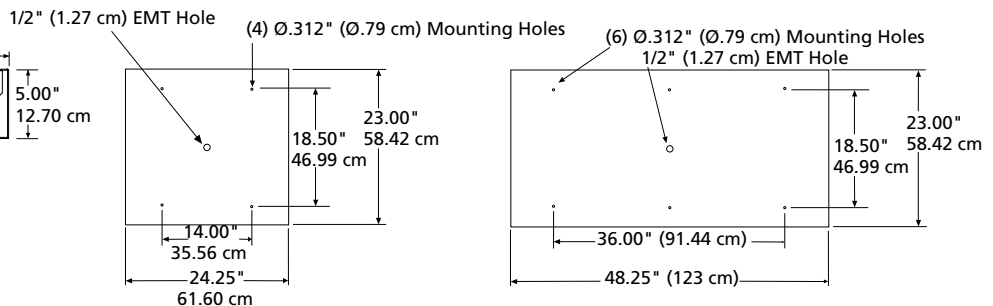
* n/a on 24"×24" unit
‡ Refer to lens specifications

DIMENSIONAL DATA

CROSS SECTION



MOUNTING HOLES



www.kenall.com | P: 800-4-Kenall | F: 262-891-9700 | 10200 55th Street Kenosha, Wisconsin 53144, USA
This product can comply with the latest domestic preference legislation, such as the Buy American Act (BAA), Trade Agreement Act (TAA), Build America, Buy America Act (BABA), and others. It may be covered by patents found at www.kenall.com/patents. Content of specification sheets is subject to change; please consult www.kenall.com for current product details. ©2024 Kenall Mfg. Co.

A brand of Legrand