

TOPDEK™ POST TOP Luminaires for Parking Garages & Surface Lots

TPDPT SERIES

PRODUCT FEATURES:

- » Fits 2-3/8" vertical tenons, 4" square and 5" round poles
- » Lumen outputs ranging from 6,500-29,000lm
- » Textured tertiary lens for unprecedented glare reduction
- » 7 distribution patterns available
- » Suitable for new installation and retrofits



PROJECT INFORMATION

Job Name _____

Fixture Type _____

Catalog Number _____

Approved by _____

SPECIFICATIONS:

HOUSING: Marine-grade die-cast aluminum construction. Integral aluminum heat sink with concealed air inlet and convection fins. All power electronics removed from primary thermal path; all drivers with dedicated heatsink to exterior of luminaire. TGIC polyester powder coat finish with five-step pre-treatment; salt-spray test 1,000 hours. See Ordering Information for available finishes. Closed-cell silicone gasketing at all housing interfaces.

MOUNTING: Fits 2-3/8" vertical tenons, 4" square and 5" round poles. Secures to pole via setscrews. Pole by others. All supply connections made in center hub near pole interface. All structural hardware 304 stainless steel, or zinc plated steel Grade 8.

OPTICS: Type II, III, IV, V-Narrow Round, V-Wide Square optical distributions. Internal house-side shield available (does not impact EPA). Clear textured acrylic or polycarbonate tertiary flat lens for full-cutoff applications or injection-molded clear textured acrylic or polycarbonate tertiary drop lens for higher vertical illuminance and enhanced glare control.

ELECTRICAL: Replaceable high-brightness LED array. See Ordering Information for color temperature options. 120-277VAC, 347VAC or 480VAC, 50/60Hz input with replaceable high power factor electronic constant-current driver (<10% THD, >0.95 PF). Standard 0-10V dimming with 10-100% range. Minimum 85% driver efficiency. EMC performance compliant with FCC CFR Part 15. Standard 20kV/kA surge protection to IEEE/ANSI C62.41 Cat. A.

TEKLINK™ TL50: An independent lighting control system integral to the luminaire, featuring its own occupancy sensor, daylight harvesting and adjustable time-out/dimming settings. Three different programs are available, each governing system behavior in normal operation; On-to-Dim Daylighting, On-to-Off Daylighting, and Occupancy Only.

TEKLINK™ TL100: Centralized, wired zonal occupancy and closed-loop daylight harvesting control system. TL100 controllers are standalone devices and ordered separately for luminaire. [Click here for specifications.](#)

TEKLINK™ TL1000/2000: An adaptive lighting control system with wired or wireless communication between system nodes. In addition to occupancy detection and daylight harvesting, TL1000 and TL2000 feature advanced scheduling and energy management capabilities with cloud-based management of system settings, reporting and notifications.

PHOTOMETRICS: Photometry tested to the IESNA LM-79 standard by an ILAC/ISO17025 accredited laboratory. For additional photometric data, please go to www.kenall.com.

WARRANTY: Limited five (5) year warranty.

AMBIENT TEMPERATURE RATING: Product is rated for -40°C to 40°C ambient environments (55°C on 100L/160L).

LISTINGS: Luminaire is certified to UL Standards by Intertek Testing Laboratory for Wet Location. IP65 rating per IEC 60598. Luminaire is 3G tested for vibration per ANSI C136.31. For maximum efficiency, Kenall recommends TekLink™ controls. For more information, visit www.kenall.com.



ORDERING INFORMATION (Ex: TPDPT26-5S-DTA-DB-100L40K-DV)

Model	Mounting	Dist. Type	Lens Type	Finish	Lamp Type	Voltage	Options	TekLink	Controls Kit
TPDPT26									< >
Mounting		Finish		Voltage		TekLink			
VT4	2-3/8" Vertical Tenon (4")	DB	Dark Bronze	DV	120-277 Volts	TL50	TL50 Control System (Click here for specifications)		
VT5	2-3/8" Vertical Tenon (5")	GW	Reflectance White	347	347 Volts	TL100	TL100 Control System (Click here for specifications)		
4S	4" Square Pole	LG	Light Gray	480	480 Volts	TL1000	TL1000 Wired Control System (Click here for specifications)		
5R	5" Round Pole	MB	Matte Black	Options		TL2000	TL2000 Wireless Control System (Click here for specifications)		
Distribution Type		MW	Matte White	BBK	Bird Barrier Kit	TL50*	TL Sensor Only (Click here for specifications)		
2	Type II	CC	Custom Color (Consult factory)	FS	Single Fuse & Holder	Please consult Kenall Applications when ordering Controls			
2HSS	Type II, House-side Shield	Lamp Type							
3	Type III	100L40K	100 Watt 4000K LED (70 CRI)						
4	Type IV	100L40KH	100 Watt 4000K LED (80 CRI)						
4HSS	Type IV, House-side Shield	100L50K	100 Watt 5000K LED (70 CRI)						
5S	Type V – Wide Square	100L57K	100 Watt 5700K LED (70 CRI)						
5N	Type V – Narrow Round	160L40K	160 Watt 4000K LED (70 CRI)						
Lens Type		160L40KH	160 Watt 4000K LED (80 CRI)						
DTA*	Drop Clear Textured Acrylic	160L50K	160 Watt 5000K LED (70 CRI)						
DTP*	Drop Clear Textured Polycarbonate	160L57K	160 Watt 5700K LED (70 CRI)						
FTA	Flat Clear Textured Acrylic	216L40K	216 Watt 4000K LED (70 CRI)						
FTP	Flat Clear Textured Polycarbonate	216L40KH	216 Watt 4000K LED (80 CRI)						
		216L50K	216 Watt 5000K LED (70 CRI)						
		216L57K	216 Watt 5700K LED (70 CRI)						
		300L40K*	300 Watt 4000K LED (70 CRI)						
		300L40KH*	300 Watt 4000K LED (80 CRI)						
		300L50K*	300 Watt 5000K LED (70 CRI)						
		300L57K*	300 Watt 5700K LED (70 CRI)						

Please consult Kenall Applications when ordering Controls

Controls Kit
< > Internal Code

- * Used in conjunction w/ TL100
- * 25° average ambient temperature limit
- IDA does not apply



www.kenall.com | P: 800-4-Kenall | F: 262-891-9701 | 10200 55th Street Kenosha, Wisconsin 53144, USA

A brand of **legrand**

This product complies with the Buy American Act: manufactured in the United States with more than 50% of the component cost of US origin. It may be covered by patents found at www.kenall.com/patents. Content of specification sheets is subject to change; please consult www.kenall.com for current product details. ©2019 Kenall Mfg. Co.

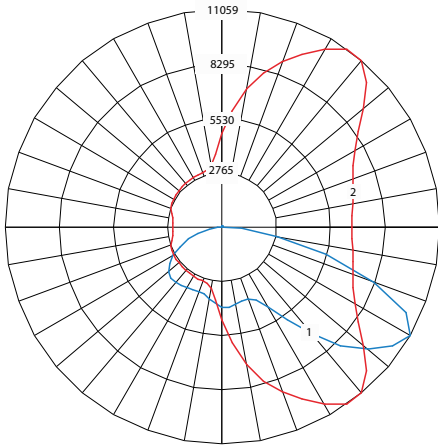
TOPDEK™ POST TOP TPDPT26 SERIES – TECHNICAL DATA

PERFORMANCE

Lamp Type	Initial Delivered Lumens @25°C				Input Power (W)	Drive Current (mA)	Estd. L70 LED Life (Hrs)	Lamp Type	Initial Delivered Lumens @25°C				Input Power (W)	Drive Current (mA)	Estd. L70 LED Life (Hrs)
	Type 5S (lm)	Efficacy (lm/W)	Type 5N (lm)	Efficacy (lm/W)					Type II (lm)	Efficacy (lm/W)	Type III (lm)	Efficacy (lm/W)			
100L40K	10,078	92	10,794	98	110	350	150,000	100L40K	8,179	74	7,631	69	110	350	150,000
100L40KH	8,839	80	9,467	88	110	350	150,000	100L40KH	7,173	65	6,693	61	110	350	150,000
100L50K	10,739	98	11,502	106	110	350	150,000	100L50K	8,715	79	8,131	74	110	350	150,000
100L57K	11,482	104	12,298	114	110	350	150,000	100L57K	9,319	85	8,694	79	110	350	150,000
160L40K	14,210	85	15,220	91	167	525	150,000	160L40K	11,532	69	10,760	64	167	525	150,000
160L40KH	12,463	75	13,348	80	167	525	150,000	160L40KH	10,114	61	9,437	57	167	525	150,000
160L50K	15,142	91	16,218	97	167	525	150,000	160L50K	12,289	74	11,465	69	167	525	150,000
160L57K	16,190	97	17,340	104	167	525	150,000	160L57K	13,139	79	12,259	73	167	525	150,000
216L40K	17,939	76	19,213	81	237	700	100,000	216L40K	14,559	61	13,583	57	237	700	100,000
216L40KH	15,733	66	16,851	71	237	700	100,000	216L40KH	12,769	54	11,913	50	237	700	100,000
216L50K	19,115	81	20,473	86	237	700	100,000	216L50K	15,513	65	14,474	61	237	700	100,000
216L57K	20,439	86	21,891	92	237	700	100,000	216L57K	16,587	70	15,476	65	237	700	100,000
300L40K	25,170	74	27,176	80	340	1050	80,000	300L40K	19,973	59	21,723	64	340	1050	80,000
300L40KH	23,520	69	25,394	75	340	1050	80,000	300L40KH	18,663	55	20,299	60	340	1050	80,000
300L50K	26,820	79	28,958	85	340	1050	80,000	300L50K	21,283	63	23,147	68	340	1050	80,000
300L57K	27,094	80	29,254	86	340	1050	80,000	300L57K	21,500	63	23,384	69	340	1050	80,000

Displayed information above is for luminaires using FTA lens only. Additional optical configurations are also available. Visit www.kenall.com for IES files and additional information.

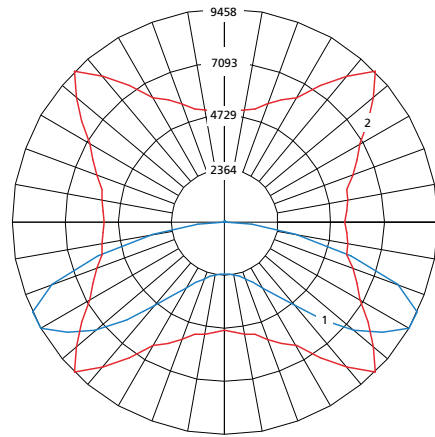
Model: TPDPT26-xx-3-FTA-MW-300L50K-DV



Maximum Candela = 11059 Located At Horizontal Angle = 50, Vertical Angle = 60

- 1 - Vertical Plane Through Horizontal Angles (50 - 230) (Through Max. Cd.)
- 2 - Horizontal Cone Through Vertical Angle (60) (Through Max. Cd.)

Model: TPDPT26-xx-5S-FTA-MW-300L50K-DV



Maximum Candela = 9458 Located At Horizontal Angle = 45, Vertical Angle = 65

- 1 - Vertical Plane Through Horizontal Angles (45 - 225) (Through Max. Cd.)
- 2 - Horizontal Cone Through Vertical Angle (65) (Through Max. Cd.)



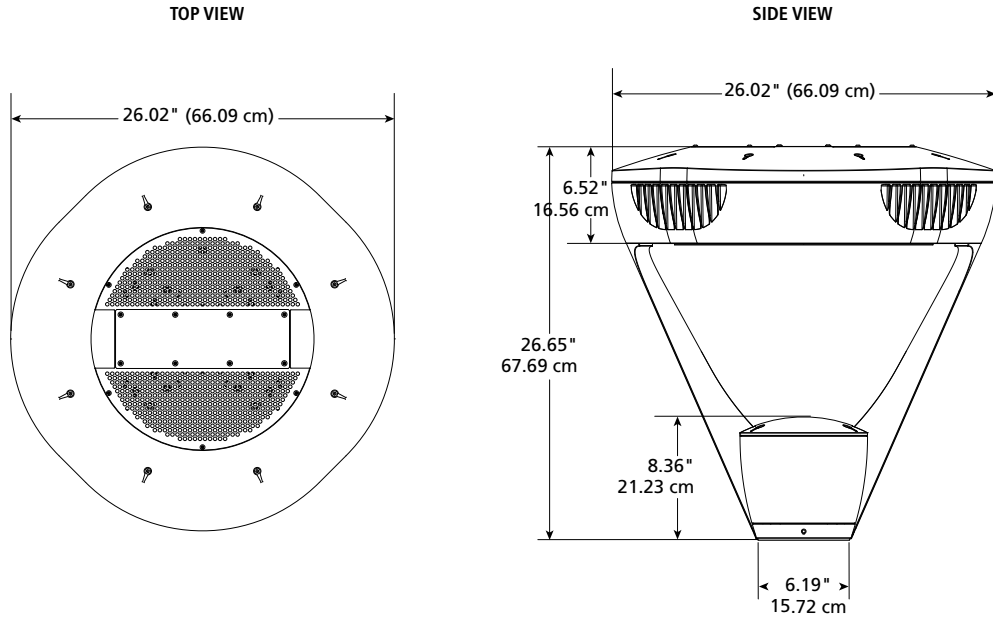
www.kenall.com | P: 800-4-Kenall | F: 262-891-9701 | 10200 55th Street Kenosha, Wisconsin 53144, USA

This product complies with the Buy American Act: manufactured in the United States with more than 50% of the component cost of US origin. It may be covered by patents found at www.kenall.com/patents. Content of specification sheets is subject to change; please consult www.kenall.com for current product details. ©2019 Kenall Mfg. Co.

A brand of Legrand

TOPDEK™ POST TOP
TPDPT26 SERIES – TECHNICAL DATA

DIMENSIONAL DATA



EPA Data

Flat Lens	1.65 ft ²
Drop Lens	2.35 ft ²



www.kenall.com | P: 800-4-Kenall | F: 262-891-9701 | 10200 55th Street Kenosha, Wisconsin 53144, USA

A brand of **legrand**

This product complies with the Buy American Act: manufactured in the United States with more than 50% of the component cost of US origin. It may be covered by patents found at www.kenall.com/patents. Content of specification sheets is subject to change; please consult www.kenall.com for current product details. ©2019 Kenall Mfg. Co.