

TOPDEK™ LED

Luminaires for Parking Garages & Surface Lots

TPD SERIES

PRODUCT FEATURES:

- » Pole-mounted LED area light; 23" (58.42 cm) Diameter
- » Concealed heatsink fins for optimized thermal management
- » Full-Cutoff; IDA Dark-Sky Compliant



PROJECT INFORMATION

Job Name _____

Fixture Type _____

Catalog Number _____

Approved by _____

SPECIFICATIONS:

HOUSING: Marine grade die-cast aluminum. Integral heatsink with concealed convection fins. TGIC polyester powder coat finish with 5-step pre-treatment. Salt spray test: 1,000 hours. See Ordering Information for available finishes. Closed-cell silicone gasketing at all housing interfaces.

MOUNTING: Compatible with 3"-6" (7.62 cm-15.24 cm) square steel or aluminum poles, 3"-6" (7.62 cm-15.24 cm) tapered and non-tapered round steel or aluminum poles. Poles by others. All structural hardware 304 stainless steel, or zinc plated steel Grade 8.

OPTICS: Type II, III, IV, V-Narrow Round and V-Wide Square roadway classifications available. Full-cutoff classification. Asymmetric option available with house-side shield. Tertiary lens options are 0.120" thick virgin PMMA or high impact resistant PC.

ELECTRICAL: Serviceable high-brightness ANSI 4000K, 5000K and 5700K white LED array. 70 CRI min. See Options for higher CRI availability. 120-277 VAC, 347 VAC and 480 VAC 50/60Hz single-phase input; constant-current dimming driver; <10% THD, >0.95 PF. Minimum 87% electrical efficiency. 0-10V dimming protocol with 10-100% dimming range, 0.2mA source current. Replaceable surge suppressor rated to 20kA/kV per IEEE/ANSI C62.41 Cat. A. EMC compliant with FCC 47 CFR Part 15, Class B. Passes IEC 61000-4-4 EFT and IEC 61000-4-5 (Class 4) surge evaluation.

TEKLINK™ TL50: An independent lighting control system integral to the luminaire, featuring its own occupancy sensor, daylight harvesting and adjustable time-out/dimming settings.

TEKLINK™ TL100: Centralized, wired zonal occupancy and closed-loop daylight harvesting control system. TL100 controllers are standalone devices and ordered separately for luminaire. [Click here for specifications.](#)

TEKLINK™ TL1000/2000: An adaptive lighting control system with wired or wireless communication between system nodes. In addition to occupancy detection and daylight harvesting, TL1000 and TL2000 feature advanced scheduling and energy management capabilities with cloud-based management of system settings, reporting and notifications.

PHOTOMETRICS: Photometry tested to the IESNA LM-79-08 standard by an ILAC/ISO17025 accredited laboratory. For additional photometric data, please go to www.kenall.com.

WARRANTY: Limited five (5) year warranty.

AMBIENT TEMPERATURE RATING: Product is rated for -40°C to 40°C ambient environments (55°C on 92L/100L).

LISTINGS: Luminaire is certified to UL Standards 1598 and 8750 by Intertek Testing Laboratory for Wet Location. IP65 per IEC 60598. IESNA-designated full cut-off. Luminaire is 2G tested for vibration per ANSI C136.31. Check the latest version [here](#) for listed configuration details. DesignLights Consortium® (DLC) qualified product. Not all versions of this product may be DLC listed. Please check the DLC Qualified Products List [here](#) for listed configuration details.



ORDERING INFORMATION (Ex: TPD23-4-TP-LG-216L57K-DV)

Model	Dist. Type	Lens Type	Finish	Lamp Type	Voltage	Options	Accessories	TekLink	Controls Kit
TPD23									< >

Distribution Type

- 2** Type II
- 2HSS** Type II, House-side Shield
- 3** Type III
- 4** Type IV
- 4HSS** Type IV, House-side Shield
- 5S** Type V – Square
- 5SW*** Type V – Square, Wide
- 5N** Type V – Narrow Round

Lens Type

- TP*** Textured Clear Polycarbonate
- TA** Textured Clear Acrylic
- CP*** Clear Polycarbonate
- CA** Clear Acrylic

Finish

- DB** Dark Bronze
- GW** Gloss White
- LG** Light Gray
- MB** Matte Black
- MW** Matte White
- CC** Custom Color

Lamp Type

- 92L40K*** 92 Watt 4000K LED
- 92L50K*** 92 Watt 5000K LED
- 92L57K*** 92 Watt 5700K LED
- 100L40K*** 100 Watt 4000K LED
- 100L50K*** 100 Watt 5000K LED
- 100L57K*** 100 Watt 5700K LED
- 140L40K*** 140 Watt 4000K LED
- 140L50K*** 140 Watt 5000K LED
- 140L57K*** 140 Watt 5700K LED
- 160L40K** 160 Watt 4000K LED
- 160L50K** 160 Watt 5000K LED
- 160L57K** 160 Watt 5700K LED
- 192L40K*** 192 Watt 4000K LED
- 192L50K*** 192 Watt 5000K LED
- 192L57K*** 192 Watt 5700K LED
- 216L40K** 216 Watt 4000K LED
- 216L50K** 216 Watt 5000K LED
- 216L57K** 216 Watt 5700K LED
- 295L40K*** 295 Watt 4000K LED
- 295L50K*** 295 Watt 5000K LED
- 295L57K*** 295 Watt 5700K LED
- 300L40K†** 300 Watt 4000K LED
- 300L50K†** 300 Watt 5000K LED
- 300L57K†** 300 Watt 5700K LED

Voltage

- DV** 120-277 Volts
- 277** 277 Volts
- 347** 347 Volts
- 480** 480 Volts

Options

- BBK** Bird Barrier Kit
- CBEA**** CBEA Specification Compliance
- FS** Single Fuse & Holder
- R80** Minimum 80 CRI Lamp (4000K only)
- RPC** Receptacle for Photocell or Shorting Cap

Accessories

- WMA** Wall Mount Adapter
- TMA*** Tenon Mount Adapter (fits 2-3/8" (6.03 cm) vertical tenons)

Mounting Configurations for TMA Accessory only (See last page for selections)

- S1** Single
- TW90** Twin at 90°
- TW180** Twin at 180°
- TR90** Triple at 90°
- TR120** Triple at 120°
- Q90** Quad at 90°

TekLink

- TL50** TL50 Control System ([Click here for specifications](#))
- TL100** TL100 Control System ([Click here for specifications](#))
- TL1000†** TL1000 Wired Control System ([Click here for specifications](#))
- TL2000†** TL2000 Wireless Control System ([Click here for specifications](#))
- TL0S°** TL Sensor Only ([Click here for specifications](#))

Please consult Kenall Applications when ordering Controls

Controls Kit

- < > Internal Code

- Required for Peace of Mind Guarantee®
- ▲ Only available with specific marked Lamp Types
- * 55°C maximum ambient temperature
- ** Includes additional warranty benefits
- † Must select mounting configuration
- ‡ n/a with 347 or 480 Voltage option
- ° Used in conjunction w/ TL100
- † n/a with 295L/300L lamp options and 347V/480V voltage inputs
- § Only available with 5SW Distribution Type



www.kenall.com | P: 800-4-Kenall | F: 262-891-9701 | 10200 55th Street Kenosha, Wisconsin 53144, USA

A brand of **legrand**

This product complies with the Buy American Act: manufactured in the United States with more than 50% of the component cost of US origin. It may be covered by patents found at www.kenall.com/patents. Content of specification sheets is subject to change; please consult www.kenall.com for current product details. ©2019 Kenall Mfg. Co.

TOPDEK™ LED

Luminaires for Parking Garages & Surface Lots

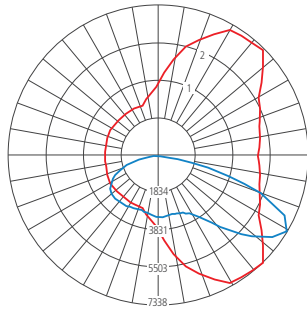
TPD SERIES

PERFORMANCE

Lamp Type	Initial Delivered Lumens						Input Power (W)	Drive Current (mA)	Estd. L ₇₀ LED Life
	Type III		Type V Square		Type V Round				
	@25°C (lm)	Efficacy (lm/W)	@25°C (lm)	Efficacy (lm/W)	@25°C (lm)	Efficacy (lm/W)			
100L57K	10,737	96	11,490	103	12,180	109	112	350	150,000
160L57K	14,412	91	15,442	98	16,348	103	158	525	150,000
216L57K	17,821	79	19,070	85	20,215	80	224	700	100,000
300L57K	26,845	80	28,720	85	30,443	90	337	1050	80,000
100L50K	10,042	90	10,764	96	11,391	102	112	350	150,000
160L50K	13,479	85	14,423	91	15,289	97	158	525	150,000
216L50K	16,667	74	17,835	80	18,906	84	224	700	100,000
300L50K	25,107	75	26,860	80	28,472	84	337	1050	80,000
100L40K	9,424	84	10,084	90	10,690	95	112	350	150,000
160L40K	12,649	80	13,536	86	14,348	91	158	525	150,000
216L40K	15,641	70	16,738	75	17,743	79	224	700	100,000
300L40K	23,563	70	25,207	75	26,720	79	337	1050	80,000

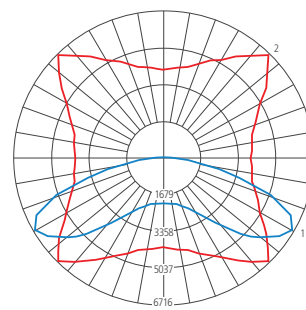
Information above was tested with the TA lens type. Subject to change without notice. Visit www.kenall.com for IES files and additional information.

Model: TPD23-3-TA-MW-216L57K-DV



Max Candela = 7213 Located At Horizontal Angle = 45, Vertical Angle = 60
 1 - Vertical Plane Through Horizontal Angles (45-225) (Through Max. Cd.)
 2 - Horizontal Cone Through Vertical Angle (60) (Through Max. Cd.)

Model: TPD23-55-TA-GW-216L57K-DV

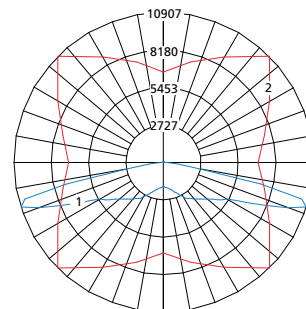


Max Candela = 6716 Located At Horizontal Angle = 45, Vertical Angle = 60
 1 - Vertical Plane Through Horizontal Angles (45-225) (Through Max. Cd.)
 2 - Horizontal Cone Through Vertical Angle (60) (Through Max. Cd.)

Initial Delivered Lumens
 Type V Square Wide

Lamp Type	@25°C (lm)	Efficacy (lm/W)	Input Power (W)	Drive Current (mA)	Estd. L ₇₀ LED Life
92L57K	14,914	149	100	350	200,000
140L57K	20,043	129	155	525	175,000
192L57K	24,753	121	205	700	150,000
295L57K	37,279	115	325	1000	120,000
92L50K	13,971	140	100	350	200,000
140L50K	19,845	128	155	525	175,000
192L50K	23,151	113	205	700	150,000
295L50K	36,956	114	325	1000	120,000
92L40K	13,971	140	100	350	200,000
140L40K	19,845	128	155	525	175,000
192L40K	23,151	113	205	700	150,000
295L40K	36,956	114	325	1000	120,000

Model: TPD23-55W-CA-MW-192L57K-DV



Max Candela = 10907 Located At Horizontal Angle = 45, Vertical Angle = 72.5
 1 - Vertical Plane Through Horizontal Angles (45-225) (Through Max. Cd.)
 2 - Horizontal Cone Through Vertical Angle (72.5) (Through Max. Cd.)

Information above was tested with the CA lens type. Subject to change without notice. Visit www.kenall.com for IES files and additional information.



www.kenall.com | P: 800-4-Kenall | F: 262-891-9701 | 10200 55th Street Kenosha, Wisconsin 53144, USA

This product complies with the Buy American Act: manufactured in the United States with more than 50% of the component cost of US origin. It may be covered by patents found at www.kenall.com/patents. Content of specification sheets is subject to change; please consult www.kenall.com for current product details. ©2019 Kenall Mfg. Co.

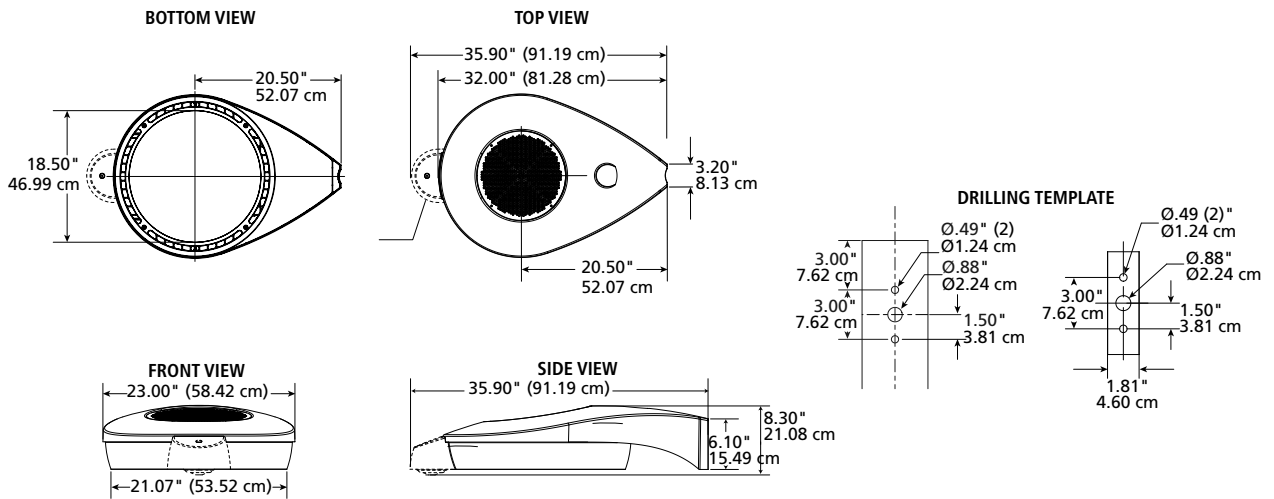
A brand of **legrand**

TOPDEK™ LED

Luminaires for Parking Garages & Surface Lots

TPD SERIES

DIMENSIONAL DATA



Mounting Configuration	S1	TW90	TW180	TR90	TR120	Q90
EPA DATA	SINGLE	TWIN @ 90°	TWIN @ 180°	TRIPLE @ 90°	TRIPLE @ 120°	QUAD @ 90°
Standard Unit	0.81 ft² (24.69 cm²)	1.34 ft² (40.84 cm²)	1.62 ft² (49.38 cm²)	2.32 ft² (70.71 cm²)	2.10 ft² (64.01 cm²)	2.32 ft² (70.71 cm²)
Unit w/SmartSense Micro	0.91 ft² (27.74 cm²)	1.38 ft² (42.06 cm²)	1.82 ft² (55.47 cm²)	2.32 ft² (70.71 cm²)	2.10 ft² (64.01 cm²)	2.32 ft² (70.71 cm²)

Note: Kenall's optional HSS house-side shield is internal and does not affect EPA.



www.kenall.com | P: 800-4-Kenall | F: 262-891-9701 | 10200 55th Street Kenosha, Wisconsin 53144, USA

A brand of **legrand**

This product complies with the Buy American Act: manufactured in the United States with more than 50% of the component cost of US origin. It may be covered by patents found at www.kenall.com/patents. Content of specification sheets is subject to change; please consult www.kenall.com for current product details. ©2019 Kenall Mfg. Co.