

LUXTRAN DOWNLIGHT

Luminaires for Transportation Applications

TDL SERIES

PRODUCT FEATURES:

- » 6" sealed, recessed downlight with flush lens trim
- » Corrosion-resistant frame and trim construction
- » Peace of Mind Guarantee™ against breakage
- » Delivered lumens: 794 - 5,305 lm
- » 1% Dimming via 0-10V control



PROJECT INFORMATION

Job Name _____

Fixture Type _____

Catalog Number _____

Approved by _____

SPECIFICATIONS

HEAT SINK: Die-cast aluminum with external radial fins for natural convection.

ROUGH-IN FRAME: 18-gauge die-formed, type 304 stainless steel construction. Vertically adjustable collar accommodates ceiling thicknesses up to 2", adjustable post-installation. Universal mounting brackets accept 3/4" and 1-1/2" lathers channel, 1/2" EMT conduit and hanger bars. Quick-access junction box accessible post-installation from above and below ceiling. Includes (4) 1/2" and (2) 3/4" knock-outs to allow straight conduit runs. Listed for (8) 12AWG, 90°C conductors and feed-thru branch wiring. Provided with FMC with electrical quick-connect to Trim Section.

TRIM/HOUSING SECTION: IP-rated housing section incorporates the heat sink, LED module, optics and stainless steel trim. Lens trim secured with four (4) Torx® tamper-resistant, captive fasteners. See trim ordering information for available options.

OPTICAL: High-Efficiency mixing chamber design with regressed diffused tempered-glass lens producing uniform light output. Available with various reflector distribution patterns and finishes. Flush lens trim options include a clear lens. See distribution and reflector finish ordering information for available options.

ELECTRICAL: LED array available in multiple CCT and CRI combinations with a maximum 3-step MacAdam variation allowance. See Trim Ordering Information for available options. 120-277VAC or 347VAC, 50/60Hz electrical input with serviceable constant current driver (<20% THD, >0.90 PF). Minimum 85% driver efficiency. Standard 0-10V dimming with 1-100% range; 200µA max. source current.

PHOTOMETRICS: Photometry tested to the IESNA LM-79-08 standard by an ILAC/ISO17025 accredited laboratory. For photometric information, go to www.kenall.com.

WARRANTY: Limited five (5) year LED warranty.

INSTALLATION: Suitable for ambient temperature temperatures of -30°C to +40°C.

LISTINGS: Luminaire is certified to UL standards by Intertek Testing Laboratory for non-IC and Wet Location installations. IP65 rating per IEC60598.



ORDERING INFORMATION (EX: TDL6-FF-5BR-22L-40K8-W-CSS-G-RIT6-DV-DIM1)

TRIM								ROUGH-IN			
Model	Trim Style	Trim Finish	Lamp Power	Lamp Color	Distribution	Reflector Finish	Flush Lens Type	Rough-In	Input Voltage	Driver Type	Options
TDL6	FF							RIT6		DIM1	
Trim Style FF Flush Lens (With Fasteners - IP65)								Rough-In RIT6 6" Transportation Rough-In			
Trim Finish 5BR Type 304 Stainless Steel with 4B Brushed Finish XBR Type 316 Stainless Steel with 4B Brushed Finish 5FW Type 304 Stainless Steel in Flat White XFW Type 316 Stainless Steel in Flat White								Input Voltage DV 120-277V, 50/60Hz 347* 347VAC, 60Hz			
Lamp Power 12L 12 Watt LED 22L 22 Watt LED 33L 33 Watt LED 55L¹ 55 Watt LED								Driver Type DIM1 0-10V Dimming to 1%			
Lamp Color 30K8 3000K / 80 CRI min. 35K8 3500K / 80 CRI min. 40K8 4000K / 80 CRI min. 50K8 5000K / 80 CRI min.								Options LEL Emergency Battery Backup with Remote Test Switch (n/a with 55L) FS Fuse & Holder 9500 Torx® Screwdriver			
Distribution M Medium W Wide								* N/A with LEL option ¹ Must be installed with a minimum 24" on-center spacing, 12" from wall, and have 3" clearance above the Trim/Housing			
Reflector Finish FW Flat White CS Clear Specular CSS Clear Semi-Specular											
Flush Lens Type T 1/8" Clear High-Impact Acrylic G 1/8" Clear Polycarbonate											



www.kenall.com

P: 800-4-Kenall

F: 262-891-9701

10200 55th Street Kenosha, Wisconsin 53144

When you see this image, you will know the Kenall product shown or described is designed and manufactured in the USA with components purchased from US suppliers, and meets the Buy American requirements under the ARRA. Kenall has not determined the origin of its domestically purchased components or the subcomponents thereof. May be covered by patents found at www.kenall.com/patents. Content of specification sheets is subject to change; please consult www.kenall.com for current product details. © 2018 Kenall Mfg. Co. All rights reserved.

TDL6-101818

LUXTRAN DOWNLIGHT

Luminaires for Transportation Applications

TDL SERIES

PERFORMANCE

Optic			Lamp Power	Initial Delivered Lumens, By Lamp Color				Efficacy (lm/W)	Input Power (W)	Estd. L70 LED Life (hrs)	
Distribution	Reflector Finish	Lens Type		30K8	35K8	40K8	50K8				
M	CS	T	12L	1,024	1,024	1,065	1,088	57 - 73	15	80,000	
			22L	1,677	1,677	1,744	1,782	58 - 74	24	85,000	
			33L	2,430	2,430	2,527	2,581	58 - 74	35	70,000	
			55L	4,334	4,334	4,508	4,605	58 - 74	62	75,000	
		G	12L	1,048	1,048	1,090	1,114	58 - 74	15	80,000	
			22L	1,716	1,716	1,785	1,823	60 - 76	24	85,000	
			33L	2,487	2,487	2,586	2,642	59 - 75	35	70,000	
			55L	4,436	4,436	4,613	4,713	60 - 76	62	75,000	
		CSS	T	12L	961	961	1,000	1,021	54 - 68	15	80,000
				22L	1,574	1,574	1,637	1,672	55 - 70	24	85,000
				33L	2,281	2,281	2,372	2,423	54 - 69	35	70,000
				55L	4,069	4,069	4,231	4,323	55 - 70	62	75,000
	G		12L	984	984	1,023	1,045	55 - 70	15	80,000	
			22L	1,611	1,611	1,675	1,712	56 - 71	24	85,000	
			33L	2,334	2,334	2,427	2,480	56 - 71	35	70,000	
			55L	4,164	4,164	4,330	4,424	56 - 71	62	75,000	
	FW		T	12L	950	950	988	1,009	53 - 67	15	80,000
				22L	1,555	1,555	1,617	1,652	54 - 69	24	85,000
				33L	2,253	2,253	2,343	2,394	54 - 68	35	70,000
				55L	4,019	4,019	4,180	4,270	54 - 69	62	75,000
		G	12L	972	972	1,011	1,033	54 - 69	15	80,000	
			22L	1,591	1,591	1,655	1,691	55 - 70	24	85,000	
			33L	2,305	2,305	2,398	2,450	55 - 70	35	70,000	
			55L	4,113	4,113	4,277	4,370	55 - 70	62	75,000	
W		CS	T	12L	1,153	1,153	1,199	1,225	66 - 84	15	80,000
				22L	1,888	1,888	1,963	2,006	66 - 84	24	85,000
				33L	2,735	2,735	2,844	2,906	65 - 83	35	70,000
				55L	4,879	4,879	5,074	5,184	66 - 84	62	75,000
	G		12L	1,180	1,180	1,227	1,253	67 - 86	15	80,000	
			22L	1,932	1,932	2,009	2,052	67 - 86	24	85,000	
			33L	2,799	2,799	2,911	2,974	67 - 85	35	70,000	
			55L	4,993	4,993	5,193	5,305	67 - 86	62	75,000	
	CSS		T	12L	978	978	1,017	1,039	56 - 71	15	80,000
				22L	1,602	1,602	1,666	1,702	56 - 71	24	85,000
				33L	2,321	2,321	2,414	2,466	55 - 70	35	70,000
				55L	4,141	4,141	4,306	4,399	56 - 71	62	75,000
		G	12L	1,001	1,001	1,041	1,064	57 - 73	15	80,000	
			22L	1,639	1,639	1,705	1,742	57 - 73	24	85,000	
			33L	2,375	2,375	2,470	2,524	57 - 72	35	70,000	
			55L	4,238	4,238	4,407	4,502	57 - 73	62	75,000	
		FW	T	12L	1,084	1,084	1,127	1,152	62 - 79	15	80,000
				22L	1,775	1,775	1,846	1,886	62 - 79	24	85,000
				33L	2,572	2,572	2,675	2,732	61 - 78	35	70,000
				55L	4,588	4,588	4,771	4,875	62 - 79	62	75,000
	G		12L	1,109	1,109	1,154	1,179	63 - 81	15	80,000	
			22L	1,817	1,817	1,889	1,930	63 - 80	24	85,000	
			33L	2,632	2,632	2,737	2,796	63 - 80	35	70,000	
			55L	4,695	4,695	4,883	4,989	63 - 80	62	75,000	

Subject to change without notice. Visit www.kenall.com for ies files and additional information.



www.kenall.com

P: 800-4-Kenall

F: 262-891-9701

10200 55th Street Kenosha, Wisconsin 53144

When you see this image, you will know the Kenall product shown or described is designed and manufactured in the USA with components purchased from US suppliers, and meets the Buy American requirements under the ARRA. Kenall has not determined the origin of its domestically purchased components or the subcomponents thereof. May be covered by patents found at www.kenall.com/patents. Content of specification sheets is subject to change; please consult www.kenall.com for current product details. © 2018 Kenall Mfg. Co. All rights reserved.

LUXTRAN DOWNLIGHT

Luminaires for Transportation Applications

TDL SERIES

PERFORMANCE

Wide Distribution Candela Curve	TDL6-FF-12L-40K8-W-CS-G		Distance to illuminated plane (ft)	TDL6-FF-12L-40K8-M-CS-G		Medium Distribution Candela Curve
	Initial center beam foot-candles	Beam diameter (ft)		Initial center beam foot-candles	Beam diameter (ft)	
	28.4	7.6	5'	86.4	3.2	
	22.5	7.8	6'	60.0	3.5	
	16.5	9.2	7'	44.1	4.0	
	12.6	10.5	8'	33.7	4.6	
	10.0	11.8	9'	26.7	5.2	
	8.1	13.0	10'	21.6	5.8	
Spacing Criteria: 1.4	foot-candle multipliers for 30K8(.96), 30K9(.80), 35K8(.96), 35K9(.81), 40K9(.81), 50K8(1.0)				Spacing Criteria: 0.62	
Beam Angle: 59°	Beam diameter is where foot-candles drop to 50% of maximum				Beam Angle: 34°	

Wide Distribution Candela Curve	TDL6-FF-22L-40K8-W-CS-G		Distance to illuminated plane (ft)	TDL6-FF-22L-40K8-M-CS-G		Medium Distribution Candela Curve
	Initial center beam foot-candles	Beam diameter (ft)		Initial center beam foot-candles	Beam diameter (ft)	
	46.6	7.6	5'	141.4	3.2	
	36.8	7.8	6'	98.2	3.5	
	27.0	9.2	7'	72.2	4.0	
	20.7	10.5	8'	55.2	4.6	
	16.4	11.8	9'	43.7	5.2	
	13.3	13.0	10'	35.4	5.8	
Spacing Criteria: 1.4	foot-candle multipliers for 30K8(.96), 30K9(.80), 35K8(.96), 35K9(.81), 40K9(.81), 50K8(1.0)				Spacing Criteria: 0.62	
Beam Angle: 59°	Beam diameter is where foot-candles drop to 50% of maximum				Beam Angle: 34°	

Wide Distribution Candela Curve	TDL6-FF-33L-40K8-W-CS-G		Distance to illuminated plane (ft)	TDL6-FF-33L-40K8-M-CS-G		Medium Distribution Candela Curve
	Initial center beam foot-candles	Beam diameter (ft)		Initial center beam foot-candles	Beam diameter (ft)	
	67.5	7.6	5'	204.9	3.2	
	53.4	7.8	6'	142.3	3.5	
	39.1	9.2	7'	104.5	4.0	
	29.9	10.5	8'	80.0	4.6	
	23.8	11.8	9'	63.2	5.2	
	19.3	13.0	10'	51.2	5.8	
Spacing Criteria: 1.36	foot-candle multipliers for 30K8(.96), 30K9(.80), 35K8(.96), 35K9(.81), 40K9(.81), 50K8(1.0)				Spacing Criteria: 0.36	
Beam Angle: 54°	Beam diameter is where foot-candles drop to 50% of maximum				Beam Angle: 21°	

Wide Distribution Candela Curve	TDL6-FF-55L-40K8-W-CS-G		Distance to illuminated plane (ft)	TDL6-FF-55L-40K8-M-CS-G		Medium Distribution Candela Curve
	Initial center beam foot-candles	Beam diameter (ft)		Initial center beam foot-candles	Beam diameter (ft)	
	120.4	7.6	5'	365.5	3.2	
	95.2	7.8	6'	253.8	3.5	
	69.7	9.2	7'	186.5	4.0	
	53.4	10.5	8'	142.8	4.6	
	42.5	11.8	9'	112.8	5.2	
	34.4	13.0	10'	91.4	5.8	
Spacing Criteria: 1.36	foot-candle multipliers for 30K8(.96), 30K9(.80), 35K8(.96), 35K9(.81), 40K9(.81), 50K8(1.0)				Spacing Criteria: 0.36	
Beam Angle: 54°	Beam diameter is where foot-candles drop to 50% of maximum				Beam Angle: 21°	



www.kenall.com

P: 800-4-Kenall

F: 262-891-9701

10200 55th Street Kenosha, Wisconsin 53144

When you see this image, you will know the Kenall product shown or described is designed and manufactured in the USA with components purchased from US suppliers, and meets the Buy American requirements under the ARRA. Kenall has not determined the origin of its domestically purchased components or the subcomponents thereof. May be covered by patents found at www.kenall.com/patents. Content of specification sheets is subject to change; please consult www.kenall.com for current product details. © 2018 Kenall Mfg. Co. All rights reserved.

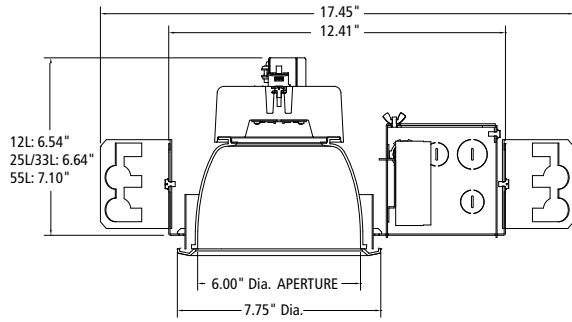
LUXTRAN DOWNLIGHT

Luminaires for Transportation Applications

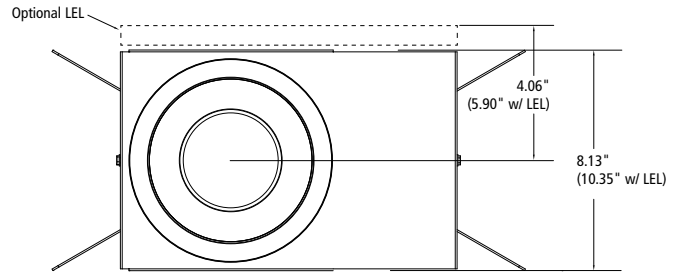
TDL SERIES

DIMENSIONAL DATA

CROSS SECTION



BOTTOM VIEW



RECOMMENDED CEILING CUT-OUT: 7.38" Dia.



www.kenall.com

P: 800-4-Kenall

F: 262-891-9701

10200 55th Street Kenosha, Wisconsin 53144

When you see this image, you will know the Kenall product shown or described is designed and manufactured in the USA with components purchased from US suppliers, and meets the Buy American requirements under the ARRA. Kenall has not determined the origin of its domestically purchased components or the subcomponents thereof. May be covered by patents found at www.kenall.com/patents. Content of specification sheets is subject to change; please consult www.kenall.com for current product details. © 2018 Kenall Mfg. Co. All rights reserved.

TDL6-101818