

# TEKDEK™

## TD17 SERIES

### PRODUCT FEATURES:

- » Textured tertiary lens for glare reduction and up-light feature to eliminate "cave-effect"
- » Outputs ranging from 4,080 lm to 14,866 lm
- » Compatible with TekLink™ lighting control technology



### PROJECT INFORMATION

Job Name \_\_\_\_\_

Fixture Type \_\_\_\_\_

Catalog Number \_\_\_\_\_

Approved by \_\_\_\_\_

### SPECIFICATIONS

**HOUSING:** Marine-grade die-cast aluminum and UV-stabilized polycarbonate construction. Standard TGIC polyester powder coat finish on aluminum components with five-step pre-treatment to withstand 1,000 hour salt spray test per ASTM B117. See Ordering Information for available finishes. Closed-cell silicone gasketing seals all housing component interfaces. Die-cut closed-cell neoprene self-adhesive gasket seals housing to mounting surface (DTS).

**MOUNTING:** Direct-to-surface (DTS) mounting over recessed junction box, Trunnion Mount (TK) or pendant-mounted (PM) via ¾" (1.91 cm) rigid sealed conduit (by others). See Ordering Information for selection. Housing access secured via tamper-resistant Torx™ fasteners.

**OPTICAL:** Type II, V-Narrow and V-Square roadway distributions available. UV-stabilized, high-impact resistant injection-molded clear textured 100% DR acrylic or polycarbonate tertiary lens.

**ELECTRICAL:** Serviceable high-brightness LED array. See Ordering Information for color temperature and CRI options. 70 CRI minimum. 120-277 VAC, 347VAC and 480VAC 50/60Hz single-phase input; constant-current dimming driver; <20% THD, >0.90 PF. Minimum 83% electrical efficiency. 0-10V dimming protocol with 3-100% range with dim-to-dark capabilities, 250µA source current. Replaceable surge suppressor rated to 20kA/kV per IEEE/ANSI C62.41 Cat. A. EMC compliant with FCC 47 CFR Part 15, Class B. Passes IEC 61000-4-4 EFT and IEC 61000-4-5 (Class 4) surge evaluation.

**TEKLINK™ TL50:** An independent lighting control system embedded in the luminaire, featuring its own occupancy sensor, daylight harvesting and adjustable time-out/dimming settings.

**TEKLINK™ TL100:** Centralized, wired zonal occupancy and closed-loop daylight harvesting control system. TL100 controllers are standalone devices and ordered separately for luminaire. [Click here for specifications.](#)

**TEKLINK™ TL1000/2000:** An adaptive lighting control system with wired or wireless communication between system nodes. In addition to occupancy detection and daylight harvesting, TL1000 and TL2000 feature advanced scheduling and energy management capabilities with cloud-based management of system settings, reporting and notifications. Meets CA Title 24-2013 and ASHRAE 90.1-2013 requirements.

**TEKLINK™ TL2000PS:** An adaptive lighting control system utilizing an embedded image sensor with wireless communication to bridge. The image sensor provides advanced capability with video analytics, supporting car counting data reporting and standard lighting control features for occupancy detection and light level sensing.

**SENSOR & CONTROLS:** Optional sensor available with compatible third party controls. To see the full list of compatible controls, [click here.](#)

**PHOTOMETRICS:** Photometry tested to the IESNA LM-79-08 standard by an ILAC/ISO17025 accredited laboratory. For photometric data, please go to [www.kenall.com](http://www.kenall.com).

**WARRANTY:** Limited five (5) year warranty. [Peace of Mind Guarantee against breakage.](#)

**LISTINGS:** Luminaire is certified to UL Standards by Intertek Testing Laboratory for Wet Location. IP65 rating per IEC 60598. Ambient temperature rating is -40°C to 50°C (55°C on 30L/47L). Passes 3G vibration test per ANSI C136.31-2001.



POLYCARBONATE LENS &  
DIRECT SURFACE MOUNT ONLY

### ORDERING INFORMATION (Ex: TD17-PM-5N-TP-DB-47L-40K8-DCC-DV)

Model	Mounting	Dist. Type	Lens Type	Finish	Lamp Power	Lamp Color	Driver Type	Voltage	Options	Accessories	TekLink	Controls Kit
<b>DCC</b>												
< >												
<b>Model</b>	<b>Lamp Power</b>		<b>Options</b>		<b>Controls Kit</b>							
TD17	17" TekDek	30L 30W LED 47L 47W LED 72L 72W LED 94L 94W LED	LEL†• 7W Emergency Battery Pack (32°F [0°C] minimum ambient) GTD•• Generator Transfer Device BG Bird Guard FS Single Fuse & Holder PH Phillips Fasteners A1 A1 Construction (see page 4)		< > Factory Assigned Internal Code							
<b>Mounting</b>	<b>Lamp Color</b>		<b>Accessories</b>		<b>Controls Kit</b>							
DTS* Direct-to-Surface PM Pendant Mount TK Trunnion Kit QM§ Quick Mount System	30K8 3000K/80CRI min 35K8 3500K/80CRI min 40K8 4000K/80CRI min 40K7 4000K/70CRI min 50K7 5000K/70CRI min 57K7 5700K/70CRI min		DS Debris Shield		* Required for Peace of Mind Guarantee® † Not available with 94L Lamp Type • Not available in conjunction with TL1000 or TL2000 ▪ Not available with 30L Lamp Type or TL50 TekLink Option § S1 Construction (See page 4) • A1 Construction (See page 4) ▼ A2 Construction (see page 4) † A1 Construction when paired with TL50 or TL100 Control System ◇ A3 Construction (See page 4)							
<b>Distribution Type</b>	<b>Driver Type</b>		<b>TekLink</b>									
2** Type II 2HSS** Type II, House-side shield 5N Type V – Narrow Round 5S Type V – Wide Square	DCC 0-10V Dimming Constant Current		TL50§ Non-Networked Control ( <a href="#">Click here for specifications</a> ) TL100 Wired Network Control - Basic ( <a href="#">Click here for specifications</a> ) TL1000* Wired Network Control - Advanced ( <a href="#">Click here for specifications</a> ) TL2000* Wireless Network Control - Advanced ( <a href="#">Click here for specifications</a> ) TL2000PS◇ Wireless Network Control - Image Sensor ( <a href="#">Click here for specifications</a> )									
<b>Lens Type</b>	<b>Voltage</b>											
TP* Textured Polycarbonate TA Textured Acrylic	DV 120-277 Volts (50/60Hz) 347† 347 Volts (60Hz) 480• 480 Volts (60Hz)											
<b>Finish</b>												
DB Dark Bronze FG Forest Green GW Reflectance White LG Light Gray MB Matte Black MW Matte White SL Silver CC Custom Color (Consult factory)												

Please consult Kenall Applications when ordering controls. Mounting heights above 14' may require alternate sensing technology.



www.kenall.com | P: 800-4-Kenall | F: 262-891-9701 | 10200 55th Street Kenosha, Wisconsin 53144, USA

A brand of Legrand

This product complies with the Buy American Act: manufactured in the United States with more than 50% of the component cost of US origin. It may be covered by patents found at [www.kenall.com/patents](http://www.kenall.com/patents). Content of specification sheets is subject to change; please consult [www.kenall.com](http://www.kenall.com) for current product details. ©2022 Kenall Mfg. Co.

**TEKDEK™**

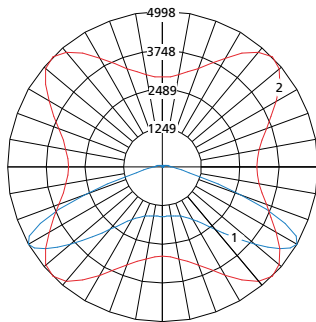
**TD17 SERIES**

**PERFORMANCE**

Lamp Code	Initial Delivered Lumens, By Optic Type (lm)						Efficacy (lm/W)	Input Power (W)	Estd. L <sub>70</sub> LED Life (Hrs)	LEDs
	2-TA	2-TP	5S-TA	5S-TP	5N-TA	5N-TP				
30L-57K7	4,843	4,814	5,349	5,317	5,319	5,288	134 - 149	36	175,000	48
30L-50K7	4,843	4,814	5,349	5,317	5,319	5,288	134 - 149	36	175,000	48
30L-40K7	4,843	4,814	5,349	5,317	5,319	5,288	134 - 149	36	175,000	48
30L-40K8	4,370	4,344	4,827	4,798	4,800	4,772	121 - 134	36	175,000	48
30L-35K8	4,370	4,344	4,827	4,798	4,800	4,772	121 - 134	36	175,000	48
30L-30K8	4,104	4,080	4,510	4,483	4,508	4,482	113 - 125	36	175,000	48
47L-57K7	6,867	6,826	7,584	7,540	8,060	8,012	129 - 152	53	175,000	48
47L-50K7	6,867	6,826	7,584	7,540	8,060	8,012	129 - 152	53	175,000	48
47L-40K7	6,867	6,826	7,584	7,540	8,060	8,012	129 - 152	53	175,000	48
47L-40K8	6,197	6,160	6,845	6,804	7,274	7,231	116 - 137	53	175,000	48
47L-35K8	6,197	6,160	6,845	6,804	7,274	7,231	116 - 137	53	175,000	48
47L-30K8	5,820	5,786	6,395	6,357	6,831	6,791	109 - 129	53	175,000	48
72L-57K7	9,414	9,358	10,097	10,038	11,566	11,498	120 - 148	78	150,000	48
72L-50K7	9,414	9,358	10,097	10,038	11,566	11,498	120 - 148	78	150,000	48
72L-40K7	9,414	9,358	10,097	10,038	11,566	11,498	120 - 148	78	150,000	48
72L-40K8	8,496	8,445	9,112	9,058	10,438	10,376	108 - 134	78	150,000	48
72L-35K8	8,496	8,445	9,112	9,058	10,438	10,376	108 - 134	78	150,000	48
72L-30K8	7,979	7,932	8,590	8,539	9,803	9,745	102 - 126	78	150,000	48
94L-57K7	12,013	11,942	13,361	13,282	14,866	14,778	114 - 142	105	125,000	48
94L-50K7	12,013	11,942	13,361	13,282	14,866	14,778	114 - 142	105	125,000	48
94L-40K7	12,013	11,942	13,361	13,282	14,866	14,778	114 - 142	105	125,000	48
94L-40K8	10,841	10,777	12,057	11,986	13,416	13,336	103 - 128	105	125,000	48
94L-35K8	10,841	10,777	12,057	11,986	13,416	13,336	103 - 128	105	125,000	48
94L-30K8	10,182	10,122	11,366	11,299	12,600	12,525	96 - 120	105	125,000	48

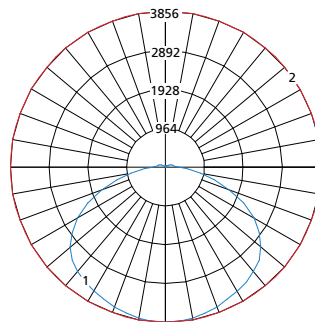
Displayed information is for selected luminaires only. Information subject to change without notice. Visit [www.kenall.com](http://www.kenall.com) for .ies files and additional information.

Model: TD17-XX-5S-TA-GW-94L-40K7-DCC-DV



Max Candela = 4998 Located At Horizontal Angle = 45, Vertical Angle = 60  
 1 - Vertical Plane Through Horizontal Angles (45 - 225) (Through Max. Cd.)  
 2 - Horizontal Cone Through Vertical Angle (60) (Through Max. Cd.)

Model: TD17-XX-5N-TA-GW-94L-40K7-DCC-DV



Max Candela = 3856 Located At Horizontal Angle = 0, Vertical Angle = 0  
 1 - Vertical Plane Through Horizontal Angles (0 - 180) (Through Max. Cd.)  
 2 - Horizontal Cone Through Vertical Angle (0) (Through Max. Cd.)

**LUMEN AMBIENT TEMPERATURE (LAT) FACTORS**

Avg. Ambient Temperature	10°C	15°C	20°C	25°C	30°C	35°C	40°C
Lumen Output Factor	1.03	1.02	1.01	1	0.99	0.98	0.97



[www.kenall.com](http://www.kenall.com) | P: 800-4-Kenall | F: 262-891-9701 | 10200 55th Street Kenosha, Wisconsin 53144, USA

This product complies with the Buy American Act: manufactured in the United States with more than 50% of the component cost of US origin. It may be covered by patents found at [www.kenall.com/patents](http://www.kenall.com/patents). Content of specification sheets is subject to change; please consult [www.kenall.com](http://www.kenall.com) for current product details. ©2022 Kenall Mfg. Co.

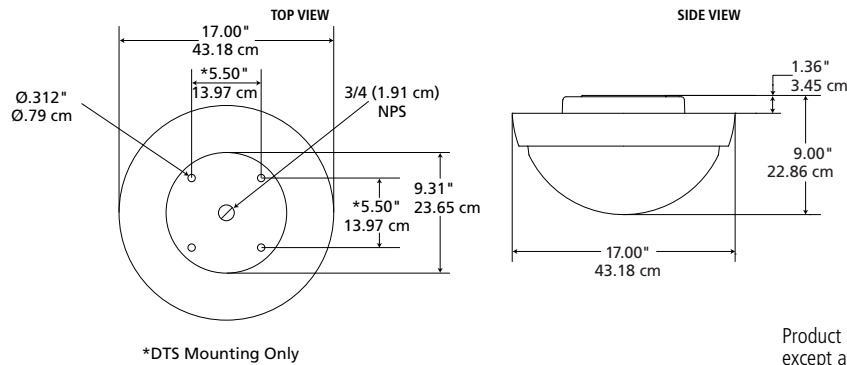
A brand of **legrand**

# TEKDEK™ Luminaires for Parking Garages

## TD17 SERIES

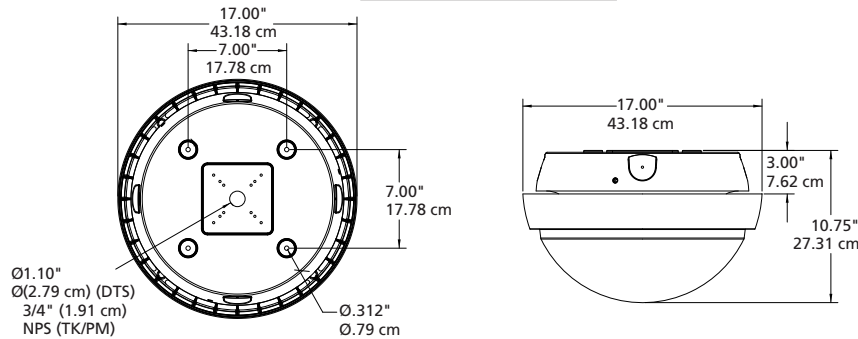
### DIMENSIONAL DATA

#### CONSTRUCTION 'S1' DIMENSIONS



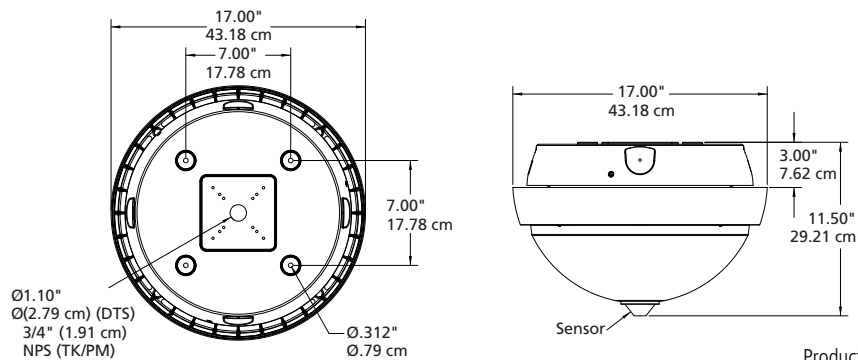
Product built as above under all configurations, except as noted for options below.

#### CONSTRUCTION 'A1' DIMENSIONS



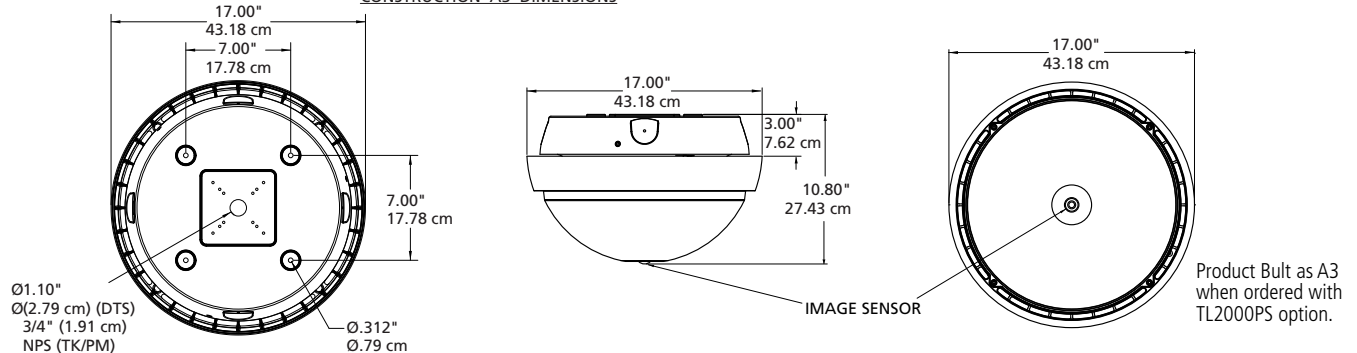
Product built as A1 when ordered with '480V', 'LEL', 'GTD', 'A1', 'TL1000' (w/ standard microwave sensor) or 'TL2000' (w/ standard microwave sensor) option

#### CONSTRUCTION 'A2' DIMENSIONS



Product built as A2 when ordered with 'TL1000' (w/ PIR sensor), or 'TL2000' (w/ PIR sensor) option. PIR sensor is not standard, but available upon request

#### CONSTRUCTION 'A3' DIMENSIONS



Product Built as A3 when ordered with TL2000PS option.



www.kenall.com | P: 800-4-Kenall | F: 262-891-9701 | 10200 55th Street Kenosha, Wisconsin 53144, USA

A brand of **legrand**

This product complies with the Buy American Act: manufactured in the United States with more than 50% of the component cost of US origin. It may be covered by patents found at [www.kenall.com/patents](http://www.kenall.com/patents). Content of specification sheets is subject to change; please consult [www.kenall.com](http://www.kenall.com) for current product details. ©2022 Kenall Mfg. Co.