

MIGHTY MAC™

SSA SERIES

PRODUCT FEATURES:

- » Surface ceiling mount – 12"×24" and 12"×48" lengths
- » TIG welded housing with no post grinding for additional strength
- » Vertically adjustable bracket secured to housing via thru-studs
- » Completely concealed internal drop slot piano hinge



PROJECT INFORMATION

Job Name _____

Fixture Type _____

Catalog Number _____

Approved by _____

SPECIFICATIONS

HOUSING: One-piece die-formed prime grade material as specified – see Ordering Information. Corners continuously seam welded and smooth with no post grinding (TIG). Clamshell housing resistant to penetration and contraband concealment.

BASEPLATE: Prime grade material as specified – see Ordering Information. Die-formed blade trap (1/4" minimum) prevents contraband concealment and access. Embossed standoffs prevent distortion.

LENS: As specified – maximum total thickness .625" – see Ordering Information. Kenall recommends a clear outer lens with a prismatic, textured or diffused inner lens. Two clear lenses used in combination cannot be provided.

LENS RETENTION: Vertically adjustable continuous "Z" brackets of prime grade material, secured to housing via thru-studs (6" maximum spacing).

HINGE: 2' completely concealed internal drop slot piano hinge (1/2" knuckle/1/8" diameter pin) standard. Pin secured to knuckle. Hinge welded to housing and mounts to either side of baseplate via keyholes. See Options for Full Length Internal Hinge (IHF).

FASTENERS: Hardened security screws as specified – see Ordering Information. Fully recessed.

LUMINOUS SEAL: Polyurethane foam prevents light leaks from luminaire base.

FINISH: TGIC polyester powder coat – 5-stage pre-treatment. Salt spray test: 1,000 hours; Reflectance: 92%.

ELECTRICAL: Available 3000K, 3500K, 4000K and 5000K color temperatures, 82 CRI. 120-277VAC or 347VAC, 50/60Hz electrical input with serviceable high power factor electronic, constant-current driver (<20% THD, >0.95 PF). Standard 0-10V dimming with 1-100% range and dim-to-dark capabilities (non dim-to-dark with 347V); 330 µA max. source current. LE: Lamps quantity and type as specified – see Ordering Information. Lamps supplied by others. Ballast quantity and type as specified – see Ordering Information. All ballasts UL listed class P. Optional removable reflector/lamp/ballast tray with quick disconnect.

INSTALLATION: Fixture not suitable for Surface Conduit or Continuous Row Mounting.

WARRANTY: Limited five (5) year warranty on LED lamps.

LISTINGS: UL and CUL Listed for Damp Locations. See Ordering Information for Wet Location applications.



ORDERING INFORMATION (Ex: SSA-4-0/0-67L40K-DCC-277-SYM/B-1)

Model	Size	Hsg./Base Material	Lamp Qty	Lamp Type	Driver/Ballast Type	Ballast Qty	Voltage	Lens (Inner/Outer)	Fastener	Options
SSA	/	/	/	/	/	/	/	/	/	/
	Nominal Size		Lamp Quantity (n/a with LED)			Ballast Quantity (n/a with LED)			Fasteners	
	2 12"×24"		1 One			1 One			1 Torx® Head w/ Center Pin	
	4 12"×48"		2 Two			2 Two			2 Allen Head w/ Center Pin	
			3 Three							
	Housing/Base Material		Lamp Type			Voltage			Options	
	0 14-Ga CRS (Painted White)		2' Nominal Length			120 120 Volts			LEL Integral 8.4W Emergency Battery Backup (4' only, 45L max; n/a 347V, 0°C min ambient)	
	1 16-Ga CRS (Painted White)		25L30K 25 Watt 3000K LED			277 277 Volts			LELST Integral 6W Self-Testing Emergency Battery Backup (4' only, 45L max; n/a 347V, 0°C min ambient)	
	3 14-Ga SS (Painted White)		25L35K 25 Watt 3500K LED			347 347 Volts			EL• Standard Lumen EL Pack	
	4 16-Ga SS (Painted White)		25L40K 25 Watt 4000K LED			DV † 120-277 Volts			DLN LED Night Light w/Light Level Control (100% - 20%; voltage-specific selection required; n/a with 347V)	
	6* 14-Ga SS (Brushed)		25L50K 25 Watt 5000K LED						FS Single Fuse & Holder	
	7* 16-Ga SS (Brushed)		17 F17T8			Lens (Inner/Outer)‡			IHF Full Length Internal Hinge	
	9 12-Ga CRS (Painted White)					SYM** Symmetric, Diffused DR Acrylic			RGT Removable Gear Tray	
			4' Nominal Length			0 No Lens			SK Speaker Housing Extension	
			45L30K 45 Watt 3000K LED			1 .125" Prismatic Acrylic			WL Wet Location Listed	
			45L35K 45 Watt 3500K LED			2 .125" Prismatic Polycarbonate				
			45L40K 45 Watt 4000K LED			3 .125" Textured Polycarbonate				
			45L50K 45 Watt 5000K LED			G• .125" Clear Polycarbonate				
			67L30K 67 Watt 3000K LED			4 .156" Prismatic Polycarbonate				
			67L35K 67 Watt 3500K LED			TG .125" Textured Tempered Glass				
			67L50K 67 Watt 5000K LED			6 .187" Prismatic Polycarbonate				
			28 F28T5			7* .187" Clear Polycarbonate				
			32 F32T8			8* .187" Clear Tempered Glass				
			54 F54T5HO			9* .250" Clear Polycarbonate				
			Driver/Ballast Type			A* .250" Clear Tempered Glass				
			DCC† Dimming Constant Current LED Driver			B* .375" Clear Polycarbonate				
			IS Instant Start Electronic <10% THD (T8)			C* .375" Clear Tempered Glass				
			RS Rapid Start Electronic <10% THD (T8, T5, T5HO)			J* .500" Clear Polycarbonate				
			SB Specified Ballast			P* .500" Clear Tempered Glass				



www.kenall.com | P: 800-4-Kenall | F: 262-891-9701 | 10200 55th Street Kenosha, Wisconsin 53144, USA

A brand of **legrand**

This product complies with the Buy American Act: manufactured in the United States with more than 50% of the component cost of US origin. It may be covered by patents found at www.kenall.com/patents. Content of specification sheets is subject to change; please consult www.kenall.com for current product details. ©2019 Kenall Mfg. Co.

MIGHTY MAC™

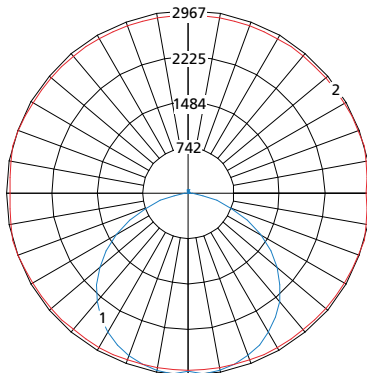
SSA SERIES

PERFORMANCE

Model	Lamp Type	Initial Delivered Lumens		Input Power (W)	Drive Current (mA)	Estd. L70 LED Life (Hrs)
		@ 25°C	Efficacy (lm/W)			
SSA-2	25L30K	2,530	89	28	117	80,000
	25L35K	2,608	92	28	117	80,000
	25L40K	2,781	98	28	117	80,000
	25L50K	2,892	102	28	117	80,000
SSA-4	45L30K	4,790	103	46	100	80,000
	45L35K	4,938	106	46	100	80,000
	45L40K	5,106	110	46	100	80,000
	45L50K	5,316	115	46	100	80,000
	67L30K	7,648	103	74	75	80,000
	67L35K	7,885	106	74	75	80,000
	67L40K	8,154	110	74	75	80,000
	67L50K	8,488	114	74	75	80,000

NOTE: All products tested with SYM/B lens configuration. See "Lumen Output Scaling Factor" table for output values with alternate lens configurations. Information subject to change without notice. Visit www.kenall.com for IES files and additional information.

Model: SSA-4-x-y-67L40K-DCC-z-SYM-B-1



Maximum Candela = 2967 Located At Horizontal Angle = 15, Vertical Angle = 5

- 1 - Vertical Plane Through Horizontal Angles (15-195) (Through Max. Cd.)
- 2 - Horizontal Cone Through Vertical Angle (5) (Through Max. Cd.)

LUMEN OUTPUT SCALING FACTORS

Lens Configuration	Inner Lens	Outer Lens	Scaling Factor
SYM/G	1/8" Frost Acrylic	1/8" Clear PC	1.10
SYM/7		3/16" Clear PC	1.06
SYM/8		3/16" Clear TG	1.06
SYM/9		1/4" Clear PC	1.03
SYM/B		3/8" Clear PC	1.00
SYM/C		3/8" Clear TG	1.03
SYM/J		1/2" Clear PC	0.99
1/G		1/8" Prismatic Acrylic	1/8" Clear PC
1/9	1/4" Clear PC		0.99
1/B	3/8" Clear PC		0.99
2/J	1/8" Prismatic PC		1/2" Clear PC

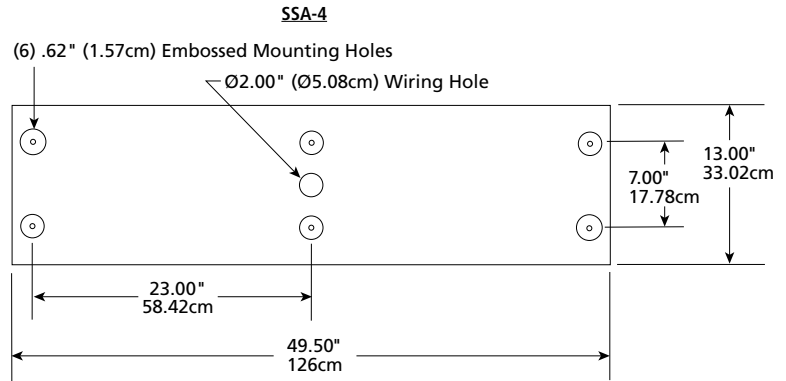
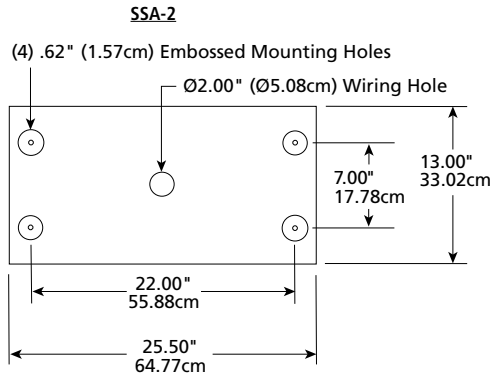
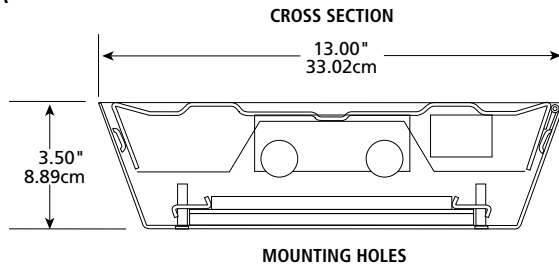
NOTE: Use this table to determine the lumen output and efficacy of the desired lens configuration by multiplying the provided value with the appropriate number in the "Performance" table above.



MIGHTY MAC™
SSA SERIES

For additional photometry, go to www.kenall.com

DIMENSIONAL DATA



www.kenall.com | P: 800-4-Kenall | F: 262-891-9701 | 10200 55th Street Kenosha, Wisconsin 53144, USA

A brand of **legrand**

This product complies with the Buy American Act: manufactured in the United States with more than 50% of the component cost of US origin. It may be covered by patents found at www.kenall.com/patents. Content of specification sheets is subject to change; please consult www.kenall.com for current product details. ©2019 Kenall Mfg. Co.