

# MIGHTY MAC™

## SSA SERIES - TUNABLE WHITE LED

### PRODUCT FEATURES:

- » High-output, high-CRI LED lamp sources with 2700K-6500K white tuning capability
- » Surface ceiling mount
- » TIG-welded housing without post-weld grinding for additional strength
- » Completely concealed internal drop slot piano hinge



### PROJECT INFORMATION

Job Name \_\_\_\_\_

Fixture Type \_\_\_\_\_

Catalog Number \_\_\_\_\_

Approved by \_\_\_\_\_

### SPECIFICATIONS

**HOUSING:** One-piece die-formed prime grade material as specified – see Ordering Information. Corners continuously seam welded and smooth with no post grinding (TIG). Clamshell housing resistant to penetration and contraband concealment.

**BASEPLATE:** Prime grade material as specified – see Ordering Information. Die-formed blade trap (1/4" minimum) prevents contraband concealment and access. Embossed standoffs prevent distortion.

**LENS:** As specified – maximum overall thickness 0.625" – see Ordering Information. High-efficiency diffused DR acrylic inner lens

**LENS RETENTION:** Vertically adjustable continuous "Z" brackets of prime grade material, secured to housing via thru-studs (6" maximum spacing).

**HINGE:** 2" completely concealed internal drop slot piano hinge (1/2" knuckle/1/8" diameter pin) standard. Pin secured to knuckle. Hinge welded to housing and mounts to either side of baseplate via keyholes. See Options for Full Length Internal Hinge (IHF).

**LED MODULE:** Serviceable tunable-white, mid-power LED array provides 2700K through 6500K CCT range with a two-point path. Minimum 82 CRI standard (R9 >20) with optional minimum 90 CRI (R9 >50).

**DRIVER:** 120-277VAC, 50/60Hz electrical input (PF ≥ 0.9, THD < 20%). Minimum 85% electrical efficiency. Serviceable, constant-current multi-channel programmable driver with dual analog (0-10V) control inputs for intensity and CCT. Linear intensity and CCT adjustment profiles with 1-100% range and dim-to-dark capabilities on intensity. Optional DALI (Type 8) driver with 1-100% range and dim-to-dark intensity dimming with linear intensity and CCT adjustment profiles.

**FASTENERS:** Hardened security screws as specified – see Ordering Information. Fully recessed.

**FINISH:** TGIC polyester powder coat – 5-stage pre-treatment. Salt spray test: 1,000 hours; Reflectance: 92%.

**LUMINOUS SEAL:** Polyurethane foam prevents light leaks from luminaire base.

**INSTALLATION:** Fixture not suitable for Surface Conduit or Continuous Row Mounting.

**PHOTOMETRICS:** Photometry tested to the IESNA LM-79-08 standard by an ILAC/ISO17025 accredited laboratory. For photometric information, go to [www.kenall.com](http://www.kenall.com).

**WARRANTY:** Limited five (5) year warranty on LED lamps.

**LISTINGS:** Luminaire is certified to UL 1598 and UL 8750 standards by Intertek Testing Services for Damp Locations. See Ordering Information for Wet Location applications.



### ORDERING INFORMATION (Ex: SSA-4-1/1-67T-27/65K9-DTW-DV-SYM/9-1-LEL)

Model	Size	Hsg./Base Material	Lamp Power	Lamp Color	Driver Type	Voltage	Lens (Inner/Outer)	Fastener	Options
<b>SSA</b>	<b>4</b>	<b>/</b>					<b>SYM /</b>		
	<b>Nominal Size</b>		<b>Lamp Power</b>					<b>Fastener</b>	
	4 12" x 48"		45T 45 Watt Tunable White					1 Torx® Head w/ Center Pin	
			67T 67 Watt Tunable White					2 Allen Head w/ Center Pin	
	<b>Housing/Base Material</b>		<b>Lamp Color</b>					<b>Options</b>	
	0 14-Ga CRS (Painted White)		27/65K8 2700-6500K CCT Range (82 CRI min)					LEL Integral 8.4W Emergency Battery Backup (45T max; wired to cool white circuit, 0°C min ambient)	
	1 16-Ga CRS (Painted White)		27/65K9 2700-6500K CCT Range (92 CRI min)					LELST Integral 6W Self-Testing Emergency Battery Backup (45T max; wired to cool white circuit, 0°C min ambient)	
	3 14-Ga SS (Painted White)							DLN LED Night Light (voltage specific selection required)	
	4 16-Ga SS (Painted White)							FS Single Fuse & Holder	
	6* 14-Ga SS (Brushed)		<b>Driver Type</b>					IHF Full Length Internal Hinge	
	7* 16-Ga SS (Brushed)		ATW Analog (0-10V) Dimming Tunable White Driver					RGT Removable Gear Tray	
	9 12-Ga CRS (Painted White)		DTW DALI Tunable White Driver					SK Speaker Housing Extension	
			DMX DMX Tunable White Driver (Consult Factory)					WL Wet Location Listed	
			<b>Voltage</b>						
			DV 120-277 Volts						
			120 120 Volts						
			277 277 Volts						
			<b>Lens (Inner/Outer)‡</b>						
			SYM .125" Diffused DR Acrylic						
			G .125" Clear Polycarbonate						
			7 .187" Clear Polycarbonate						
			8 .187" Clear Tempered Glass						
			9 .250" Clear Polycarbonate						
			A .250" Clear Tempered Glass						
			B .375" Clear Polycarbonate						
			C .375" Clear Tempered Glass						
			J .500" Clear Polycarbonate						
			P .500" Clear Tempered Glass						

\* n/a as Base Material  
‡ Refer to lens specifications



[www.kenall.com](http://www.kenall.com) | P: 800-4-Kenall | F: 262-891-9701 | 10200 55th Street Kenosha, Wisconsin 53144, USA

A brand of Legrand

This product complies with the Buy American Act: manufactured in the United States with more than 50% of the component cost of US origin. It may be covered by patents found at [www.kenall.com/patents](http://www.kenall.com/patents). Content of specification sheets is subject to change; please consult [www.kenall.com](http://www.kenall.com) for current product details. ©2019 Kenall Mfg. Co.

# MIGHTY MAC™

## SSA SERIES - TUNABLE WHITE LED

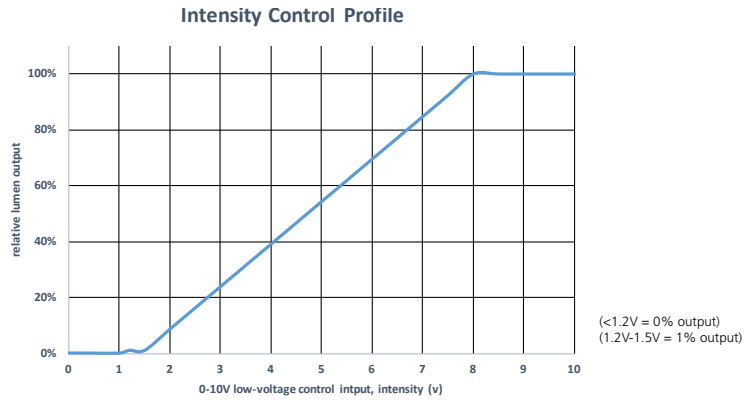
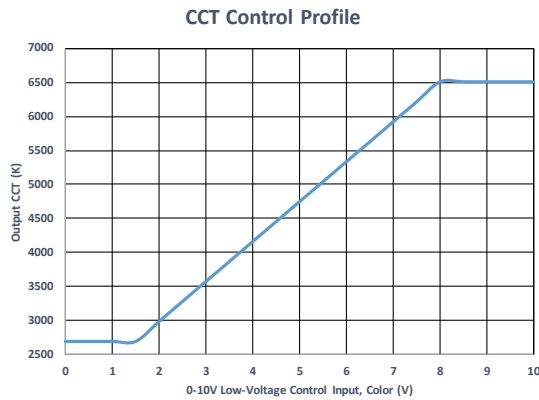
Lamp Type	Performance at 4000K Tuning			
	Lumen Output (lm)	Efficacy (lm/W)	Input Power (W)	Estd. L70 LED Life (Hrs)
45T-27/65K8	5,029	109	46	80,000
45T-27/65K9	4,053	88	46	80,000
67T-27/65K8	7,524	111	68	80,000
67T-27/65K9	6,232	92	68	80,000

All products tested with the SYM/9 lens configuration. Output with other lens configurations will vary. Information subject to change without notice. Visit [www.kenall.com](http://www.kenall.com) for additional information.

### PERFORMANCE SCALING, BY LAMP COLOR

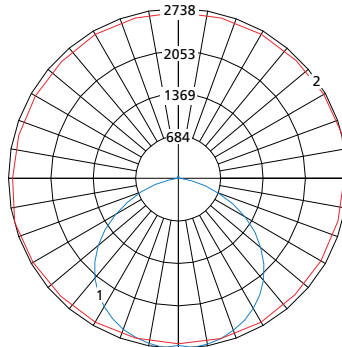
CCT (K)	27/65K8					27/65K9				
	LUMEN SCALE FACTOR	Ra	R9	Rf	Rg	LUMEN SCALE FACTOR	Ra	R9	Rf	Rg
2700	0.97	83	10	83	97	0.98	92	57	89	98
3000	0.98	84	15	83	98	0.99	94	70	91	99
3500	0.99	86	23	84	98	0.99	95	77	92	99
4000	1.00	86	26	84	98	1.00	96	83	92	99
4600	1.01	86	28	84	98	1.01	96	90	92	100
5000	1.01	86	25	83	98	1.03	96	96	91	101
5700	1.02	85	23	82	98	1.02	96	96	91	100
6500	1.04	84	16	82	96	1.02	96	96	90	100

### CCT AND INTENSITY ADJUSTMENT PROFILE - ATW DRIVER TYPE



NOTE: The provided information is the typical expected performance of a single luminaire. Additional luminaires on the same 0-10V line may result in different control profiles. Fine tuning of system performance should be completed after installation is complete. To avoid CCT shift between luminaires, care should be taken to minimize voltage drop on the CCT Control line. It is recommended to limit the load on the CCT control circuit to twenty (20) 45T or ten (10) 67T/90T luminaires or less.

Model: SSA-4-1/1-67T-27/65K8-ATW-DV-SYM/9-1



Maximum Candela = 2738 Located At Horizontal Angle = 15, Vertical Angle = 5

- 1 - Vertical Plane Through Horizontal Angles (15-195) (Through Max. Cd.)
- 2 - Horizontal Cone Through Vertical Angle (5) (Through Max. Cd.)



[www.kenall.com](http://www.kenall.com) | P: 800-4-Kenall | F: 262-891-9701 | 10200 55th Street Kenosha, Wisconsin 53144, USA

This product complies with the Buy American Act: manufactured in the United States with more than 50% of the component cost of US origin. It may be covered by patents found at [www.kenall.com/patents](http://www.kenall.com/patents). Content of specification sheets is subject to change; please consult [www.kenall.com](http://www.kenall.com) for current product details. ©2019 Kenall Mfg. Co.

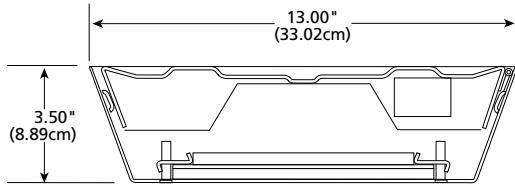
A brand of **legrand**

# MIGHTY MAC™

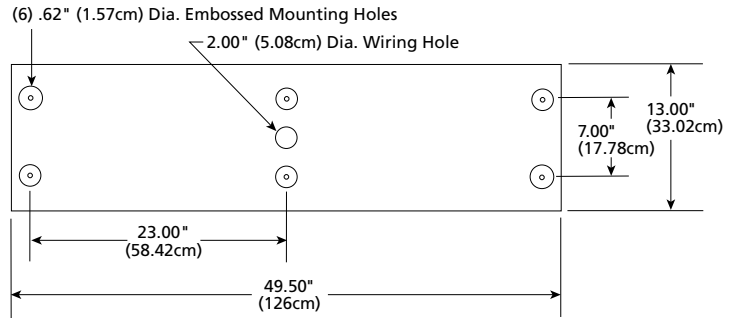
## SSA SERIES - TUNABLE WHITE LED

### DIMENSIONAL DATA

CROSS SECTION



MOUNTING HOLES



www.kenall.com | P: 800-4-Kenall | F: 262-891-9701 | 10200 55th Street Kenosha, Wisconsin 53144, USA

This product complies with the Buy American Act: manufactured in the United States with more than 50% of the component cost of US origin. It may be covered by patents found at [www.kenall.com/patents](http://www.kenall.com/patents). Content of specification sheets is subject to change; please consult [www.kenall.com](http://www.kenall.com) for current product details. ©2019 Kenall Mfg. Co.

A brand of Legrand