

MIGHTY MAC™

SQCA SERIES

PRODUCT FEATURES:

- » Surface ceiling mount – 13" x 13"
- » TIG welded housing with no post grinding for additional strength
- » Vertically adjustable bracket secured to housing via thru-studs
- » Completely concealed internal drop slot piano hinge



PROJECT INFORMATION

Job Name _____

Fixture Type _____

Catalog Number _____

Approved by _____

SPECIFICATIONS

HOUSING: One-piece die-formed prime grade material as specified – see ordering information. Corners continuously seam welded and smooth with no post grinding (TIG). Clamshell housing resistant to penetration and contraband concealment.

BASEPLATE: Prime grade material as specified – see ordering information. Die-formed blade trap (1/4" minimum) prevents contraband concealment and access. Embossed standoffs prevent distortion.

LENS: As specified – maximum thickness .875" – see ordering information. Kenall recommends a prismatic inner lens and a clear outer lens. Two clear lenses used in combination cannot be provided.

LENS RETENTION: Vertically adjustable continuous "Z" brackets of prime grade material, secured to housing via thru-studs (6" maximum spacing).

HINGE: Completely concealed internal drop slot piano hinge (1/2" knuckle/1/8" diameter pin). Pin secured to knuckle. Hinge welded to housing and mounts to baseplate via keyholes.

FASTENERS: Hardened security screws as specified – see ordering information. Fully recessed.

LED ELECTRICAL: Available 3500K, 4000K and 5000K color temperatures, 82 CRI. 120-277VAC, 50/60Hz electrical input with serviceable high power factor electronic, constant-current driver (<20% THD, >0.95 PF). Standard 0-10V dimming with 3-100% range, maximum driver source of 250 µA.

FINISH: TGIC polyester powder coat – 5-stage pre-treatment. Salt spray test: 1,000 hours; Reflectance: 92%.

LUMINOUS SEAL: Polyurethane foam prevents light leaks from luminaire base.

PHOTOMETRICS: For photometric information, go to www.kenall.com.

WARRANTY: Limited five (5) year warranty on LED lamps.

LISTINGS: UL and CUL listed for damp locations. See ordering information for wet location applications.



ORDERING INFORMATION (Ex: SQCA-0/0-23L40K-DCC-120- 1/B-1)

Model	Hsg./Base Material	Lamp Type	Ballast/Driver	Voltage	Lens (Inner/Outer)	Fasteners	Options
SQCA	/				/		
Housing/Baseplate Material		Lamp Type		Lens (Inner/Outer)‡		Options	
0	14-Ga CRS (Painted White)	23L35K	23 Watt 3500K LED	0	No Lens	DLN	LED Night Light w/Light Level Control (100% - 20%)
1	16-Ga CRS (Painted White)	23L40K	23 Watt 4000K LED	1	.125" Prismatic Acrylic	FS	Single Fuse & Holder
3	14-Ga SS (Painted White)	23L50K	23 Watt 5000K LED	2	.125" Prismatic Polycarbonate	WL	Wet Location Listed
4	16-Ga SS (Painted White)			3	.125" Textured Polycarbonate		
6*	14-Ga SS (Brushed)	Driver Type – LED only		G•	.125" Clear Polycarbonate		
7*	16-Ga SS (Brushed)	DCC	Dimming Constant Current	4	.156" Prismatic Polycarbonate		
9	12-Ga CRS (Painted White)	Voltage		TG	.125" Textured Tempered Glass		
		120	120 Volts	6	.187" Prismatic Polycarbonate		* n/a as Base Material
		277	277 Volts	7•	.187" Clear Polycarbonate		‡ Refer to lens specifications
		347	347 Volts	8•	.187" Clear Tempered Glass		• Must be paired with prismatic, textured or diffused lens
		DV	120-277 Volts	9•	.250" Clear Polycarbonate		▲ Can only be used with clear outer lens
				A•	.250" Clear Tempered Glass		
				B•	.375" Clear Polycarbonate		
				C•	.375" Clear Tempered Glass		
				J•	.500" Clear Polycarbonate		
				P•	.500" Clear Tempered Glass		
				N•	.750" Clear Tempered Glass		
				SYM▲	Symmetric, Diffused DR Acrylic		
				Fastener			
				1	Torx® Head w/ Center Pin		
				2	Allen Head w/ Center Pin		



www.kenall.com | P: 800-4-Kenall | F: 262-891-9701 | 10200 55th Street Kenosha, Wisconsin 53144, USA

A brand of **Legrand**

This product complies with the Buy American Act: manufactured in the United States with more than 50% of the component cost of US origin. It may be covered by patents found at www.kenall.com/patents. Content of specification sheets is subject to change; please consult www.kenall.com for current product details. ©2019 Kenall Mfg. Co.

MIGHTY MAC™

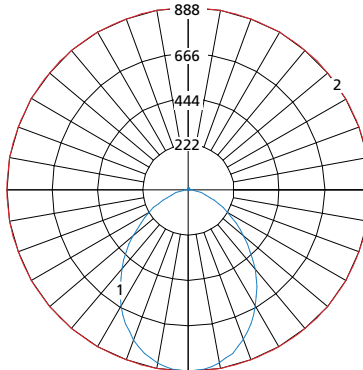
SQCA SERIES

PERFORMANCE

Lamp Type	Initial Delivered Lumens		Input Power (W)	Drive Current (mA)	Estd. L70 LED Life (Hrs)
	@ 25°C	Efficacy (lm/W)			
23L35K	1711	59	29	94	80,000
23L40K	1824	63	29	94	80,000
23L50K	1897	65	29	94	80,000

Information above is valid for the recommended Type PP lens type and is subject to change without notice. Visit www.kenall.com for additional information.

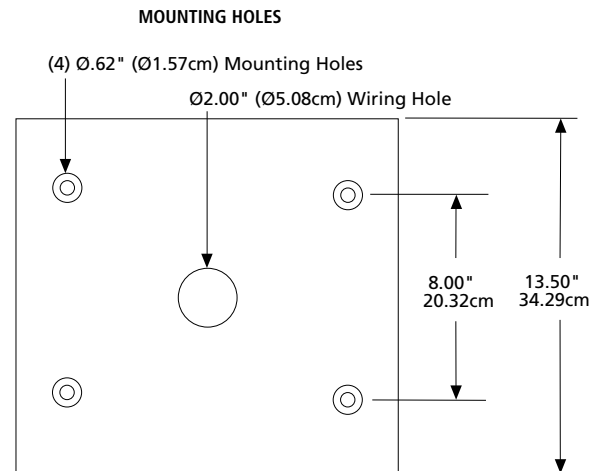
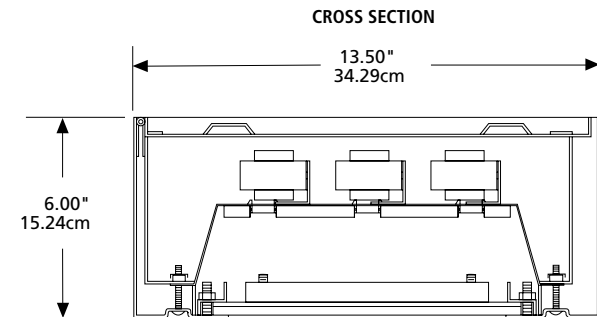
Model: SQCA-0/0-1-23L40K-DCC-DV-Y/B-1



Maximum Candela = 888 Located At Horizontal Angle = 0, Vertical Angle = 0

- 1 - Vertical Plane Through Horizontal Angles (0-180) (Through Max. Cd.)
- 2 - Horizontal Cone Through Vertical Angle (0) (Through Max. Cd.)

DIMENSIONAL DATA



www.kenall.com | P: 800-4-Kenall | F: 262-891-9701 | 10200 55th Street Kenosha, Wisconsin 53144, USA

This product complies with the Buy American Act: manufactured in the United States with more than 50% of the component cost of US origin. It may be covered by patents found at www.kenall.com/patents. Content of specification sheets is subject to change; please consult www.kenall.com for current product details. ©2019 Kenall Mfg. Co.

A brand of **legrand**