

MIGHTY MAC™

SDSA SERIES

PRODUCT FEATURES:

- » Surface ceiling mount – 12"×24" , 12"×48"
- » Housing TIG welded with no post grinding for additional strength
- » "Z" bracket lens retention with thru-studs spaced 6" apart



PROJECT INFORMATION

Job Name _____

Fixture Type _____

Catalog Number _____

Approved by _____

SPECIFICATIONS

HOUSING: One-piece die-formed prime grade material as specified – see Ordering Information. Corners continuously seam welded and smooth with no post grinding (TIG).

DOOR: One-piece die-formed prime grade material as specified – see Ordering Information.

HINGE: Staked and welded external piano hinge (1/2" knuckle/1/8" diameter pin) standard. See Options for 2' Internal Hinge (IH) and Full Length Internal Hinge (IHF).

LENS: As specified – maximum total thickness .625" – see Ordering Information. Kenall recommends a clear outer lens with a prismatic, textured or diffused inner lens. Two clear lenses used in combination cannot be provided.

LENS RETENTION: Vertically adjustable continuous "Z" brackets of prime grade material, secured to housing via thru-studs (6" maximum spacing).

FASTENERS: Hardened security screws as specified – see Ordering Information. Fully recessed.

FINISH: TGIC polyester powder coat – 5-stage pre-treatment. Salt spray test: 1,000 hours; Reflectance: 92%.

ELECTRICAL: Available 3000K, 3500K, 4000K and 5000K color temperatures, 82 CRI. 120-277VAC or 347VAC, 50/60Hz electrical input with serviceable high power factor electronic, constant-current driver (<20% THD, >0.95 PF). Standard 0-10V dimming with 1-100% range and dim-to-dark capabilities (non dim-to-dark with 347V); 330 µA max. source current. LF; Lamps quantity and type as specified – see Ordering Information. Ballast quantity and type as specified – see Ordering Information. All ballasts UL listed class P. Optional removable reflector/lamp/ballast tray with quick disconnect.

WARRANTY: Limited five (5) year warranty on LED lamps.

LISTINGS: Luminaire is certified to UL Standards by either Underwriters Laboratory or Intertek Testing Laboratory for Damp Location. See Options for Wet Location rating.



ORDERING INFORMATION (Ex: SDSA-4-3/3-67L50K-DCC-120-SYM/B-1-LEL)

Model	Size	Hsg./Door Material	Lamp Qty	Lamp Type	Driver/Ballast Type	Ballast Qty	Voltage	Lens (Inner/Outer)	Fasteners	Options
SDSA / /										
Nominal Size			4' Nominal Length			Voltage			Fasteners	
2	12"×24"		45L30K	45 Watt 3000K LED	DCC	120	120 Volts	0	1	Integral 8.4W Emergency Battery Backup (4' only, 45L max; n/a 347V, 0°C min ambient)
4	12"×48"		45L35K	45 Watt 3500K LED	IS	277	277 Volts	1	2	Integral 6W Self-Testing Emergency Battery Backup (4' only, 45L max; n/a 347V, 0°C min ambient)
Housing/Door Material			Driver/Ballast Type			Lens (Inner/Outer)			Options	
0	14-Ga CRS (Painted White)		67L30K	67 Watt 3000K LED	RS	347	347 Volt	2	3	LED Night Light w/Light Level Control (100% - 20%; voltage-specific selection required; n/a with 347V)
1	16-Ga CRS (Painted White)		45L50K	45 Watt 5000K LED	SB	DV	120-277 Volts	3	4	Single Fuse & Holder
2*	18-Ga CRS (Painted White)		67L35K	67 Watt 3500K LED				4	5	Internal Hinge
3	14-Ga SS (Painted White)		67L40K	67 Watt 4000K LED				5	6	Full Length Internal Hinge
4	16-Ga SS (Painted White)		67L50K	67 Watt 5000K LED				6	7	1/2" (1.27cm) EMT Knockout
6	14-Ga SS (Brushed)		28	F28T5				7	8	Removable Gear Tray
7	16-Ga SS (Brushed)		32	F32T8				8	9	Speaker Housing Extension
9	12-Ga CRS (Painted White)		54	F54T5HO				9	10	Wet Location Listed
Lamp Quantity (n/a with LED)			Ballast Quantity (n/a with LED)			Fasteners			Options	
1	One		1	One				1	1	Integral 8.4W Emergency Battery Backup (4' only, 45L max; n/a 347V, 0°C min ambient)
2	Two		2	Two				2	2	Integral 6W Self-Testing Emergency Battery Backup (4' only, 45L max; n/a 347V, 0°C min ambient)
3	Three							3	3	LED Night Light w/Light Level Control (100% - 20%; voltage-specific selection required; n/a with 347V)
Lamp Type			Ballast Quantity (n/a with LED)			Fasteners			Options	
25L30K	25 Watt 3000K LED		1	One				4	4	Single Fuse & Holder
25L35K	25 Watt 3500K LED		2	Two				5	5	Internal Hinge
25L40K	25 Watt 4000K LED							6	6	Full Length Internal Hinge
25L50K	25 Watt 5000K LED							7	7	1/2" (1.27cm) EMT Knockout
17	F17T8							8	8	Removable Gear Tray
								9	9	Speaker Housing Extension
								10	10	Wet Location Listed

- * n/a as Door Material
- ** can only be used with clear outer lens
- n/a with LED
- ▼ Must be paired with prismatic, diffused or textured lens when ordering LED lamps



www.kenall.com | P: 800-4-Kenall | F: 262-891-9701 | 10200 55th Street Kenosha, Wisconsin 53144, USA

This product complies with the Buy American Act: manufactured in the United States with more than 50% of the component cost of US origin. It may be covered by patents found at www.kenall.com/patents. Content of specification sheets is subject to change; please consult www.kenall.com for current product details. ©2019 Kenall Mfg. Co.

A brand of **legrand**

MIGHTY MAC™

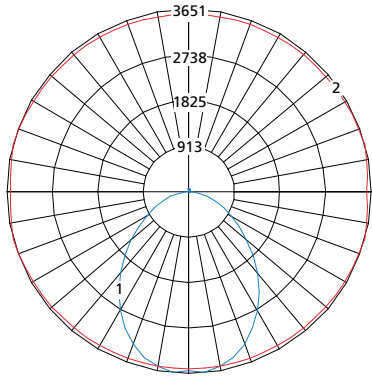
SDSA SERIES – TECHNICAL DATA

PERFORMANCE

Model	Lamp Type	Initial Delivered Lumens				
		@ 25°C	Efficacy (lm/W)	Input Power (W)	Drive Current (mA)	Estd. L70 LED Life (Hrs)
SDSA-2	25L30K	2,298	81	28	117	80,000
	25L35K	2,369	83	28	117	80,000
	25L40K	2,449	86	28	117	80,000
	25L50K	2,547	90	28	117	80,000
SDSA-4	45L30K	4,350	94	46	100	80,000
	45L35K	4,484	97	46	100	80,000
	45L40K	4,637	100	46	100	80,000
	45L50K	4,827	105	46	100	80,000
	67L30K	6,946	93	74	75	80,000
	67L35K	7,161	96	74	75	80,000
	67L40K	7,405	100	74	75	80,000
	67L50K	7,708	104	74	75	80,000

NOTE: All products tested with SYM/B lens configuration. See "Lumen Output Scaling Factor" table for output values with alternate lens configurations. Information subject to change without notice. Visit www.kenall.com for IES files and additional information.

Model: SDSA-4-x-y-67L40K-DCC-z-SYM-B-1



Maximum Candela = 3651 Located At Horizontal Angle = 15, Vertical Angle = 5
 1 - Vertical Plane Through Horizontal Angles (15-195) (Through Max. Cd.)
 2 - Horizontal Cone Through Vertical Angle (5) (Through Max. Cd.)

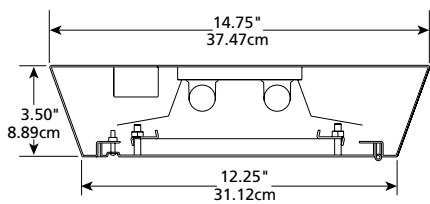
LUMEN OUTPUT SCALING FACTORS

Lens Configuration	Inner Lens	Outer Lens	Scaling Factor
SYM/G	1/8" Frost Acrylic	1/8" Clear PC	1.10
SYM/7		3/16" Clear PC	1.06
SYM/8		3/16" Clear TG	1.06
SYM/9		1/4" Clear PC	1.03
SYM/B		3/8" Clear PC	1.00
SYM/C		3/8" Clear TG	1.03
SYM/J		1/2" Clear PC	0.99
1/G	1/8" Prismatic Acrylic	1/8" Clear PC	1.04
1/9		1/4" Clear PC	0.99
1/B		3/8" Clear PC	0.99
2/J	1/8" Prismatic PC	1/2" Clear PC	0.87

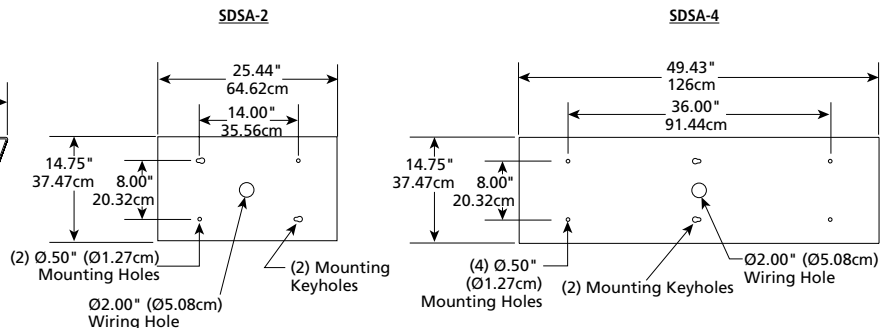
NOTE: Use this table to determine the lumen output and efficacy of the desired lens configuration by multiplying the provided value with the appropriate number in the "Performance" table above.

DIMENSIONAL DATA

CROSS SECTION



MOUNTING HOLES



www.kenall.com | P: 800-4-Kenall | F: 262-891-9701 | 10200 55th Street Kenosha, Wisconsin 53144, USA

A brand of **Legrand**

This product complies with the Buy American Act: manufactured in the United States with more than 50% of the component cost of US origin. It may be covered by patents found at www.kenall.com/patents. Content of specification sheets is subject to change; please consult www.kenall.com for current product details. ©2019 Kenall Mfg. Co.