

MIGHTY MAC™

SDSA SERIES - TUNABLE WHITE LED

PRODUCT FEATURES:

- » High-output, high-CRI LED lamp sources with 2700K-6500K white tuning capability
- » Surface ceiling mount
- » TIG-welded housing without post-weld grinding for additional strength
- » Continuous lens retention with thru-studs spaced 6" apart



PROJECT INFORMATION

Job Name _____

Fixture Type _____

Catalog Number _____

Approved by _____

SPECIFICATIONS

HOUSING: One-piece die-formed prime grade material as specified – see Ordering Information. Corners continuously seam welded and smooth with no post grinding (TIG).

DOOR: One-piece die-formed prime grade material as specified – see Ordering Information.

HINGE: Staked and welded external piano hinge (1/2" knuckle/1/8" diameter pin) standard. See Options for 2' Internal Hinge (IH) and Full Length Internal Hinge (IHF).

LENS: As specified – maximum overall thickness 0.625" – see Ordering Information. High efficiency diffused DR acrylic inner lens.

LENS RETENTION: Vertically adjustable continuous "Z" brackets of prime grade material, secured to housing via thru-studs (6" maximum spacing).

LED MODULE: Serviceable tunable-white, mid-power LED array provides 2700K through 6500K CCT range with a two-point path. Minimum 82 CRI standard (R9 >20) with optional minimum 90 CRI (R9 >50).

DRIVER: 120-277VAC, 50/60Hz electrical input (PF ≥ 0.9, THD < 20%). Minimum 85% electrical efficiency. Serviceable, constant-current multi-channel programmable driver with dual analog (0-10V) control inputs for intensity and CCT. Linear intensity and CCT adjustment profiles with 1-100% range and dim-to-dark capabilities on intensity. Optional DALI (Type 8) driver with 1-100% range and dim-to-dark intensity dimming with linear intensity and CCT adjustment profiles.

FASTENERS: Hardened security screws as specified – see Ordering Information. Fully recessed.

FINISH: TGIC polyester powder coat – 5-stage pre-treatment. Salt spray test: 1,000 hours; Reflectance: 92%.

PHOTOMETRICS: Photometry tested to the IESNA LM-79-08 standard by an ILAC/ISO17025 accredited laboratory. For photometric information, go to www.kenall.com.

PATENT: US Patent No. 7,431,473.

WARRANTY: Limited five (5) year warranty on LED lamps.

LISTINGS: Luminaire is certified to UL 1598 and UL 8750 standards by Intertek Testing Services for Damp Locations. See Options for Wet Location rating.



ORDERING INFORMATION (Ex: SDSA-4-2/1-67T-27/65K8-ATW-DV-SYM/9-1-FS)

Model	Size	Hsg./Door Material	Lamp Power	Lamp Color	Driver Type	Voltage	Lens (Inner/Outer)	Fasteners	Options
SDSA	4	/					SYM /		
Nominal Size			Lamp Power			Lens (Inner/Outer)			
4 12" x 48"			45T 45 Watt Tunable White 67T 67 Watt Tunable White			SYM .125" Diffused DR Acrylic G .125" Clear Polycarbonate 7 .187" Clear Polycarbonate 8 .187" Clear Tempered Glass 9 .250" Clear Polycarbonate A .250" Clear Tempered Glass B .375" Clear Polycarbonate C .375" Clear Tempered Glass J .500" Clear Polycarbonate P .500" Clear Tempered Glass			
Housing/Door Material			Lamp Color			Fasteners			
0 14-Ga CRS (Painted White) 1 16-Ga CRS (Painted White) 2* 18-Ga CRS (Painted White) 3 14-Ga SS (Painted White) 4 16-Ga SS (Painted White) 6 14-Ga SS (Brushed) 7 16-Ga SS (Brushed) 9 12-Ga CRS (Painted White)			27/65K8 2700-6500K CCT Range (82 CRI min) 27/65K9 2700-6500K CCT Range (92 CRI min)			1 Torx® Head w/ Center Pin 2 Allen Head w/ Center Pin			
			Driver Type			Options			
			ATW Analog (0-10V) Dimming Tunable White Driver DTW DALI Tunable White Driver DMX DMX Tunable White Driver (Consult Factory)			LEL Integral 8.4W Emergency Battery Backup (45T max; wired to cool white circuit, 0°C min ambient) LELST Integral 6W Self-Testing Emergency Battery Backup (45T max; wired to cool white circuit, 0°C min ambient) DLN LED Night Light (voltage specific selection required) FS Single Fuse & Holder IH Internal Hinge IHF Full Length Internal Hinge KO 1/2" (1.27cm) EMT Knockout WL Wet Location Listed			
			Voltage						
			DV 120-277 Volts 120 120 Volts 277 277 Volts						

* n/a as Door Material



www.kenall.com | P: 800-4-Kenall | F: 262-891-9701 | 10200 55th Street Kenosha, Wisconsin 53144, USA

A brand of **legrand**

This product complies with the Buy American Act: manufactured in the United States with more than 50% of the component cost of US origin. It may be covered by patents found at www.kenall.com/patents. Content of specification sheets is subject to change; please consult www.kenall.com for current product details. ©2019 Kenall Mfg. Co.

MIGHTY MAC™

SDSA SERIES - TUNABLE WHITE LED

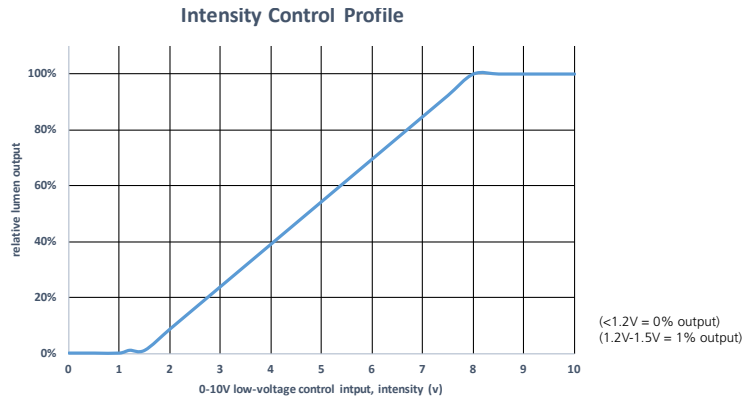
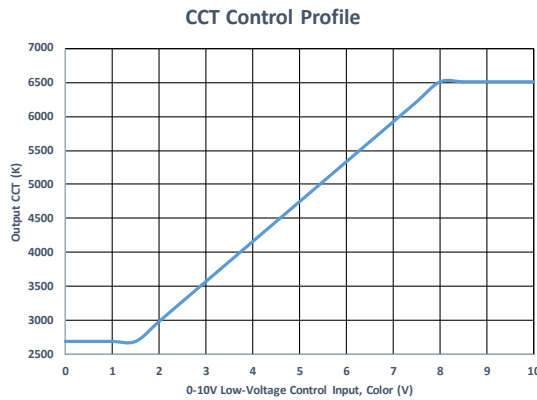
Lamp Type	Performance at 4000K Tuning			
	Lumen Output (lm)	Efficacy (lm/W)	Input Power (W)	Estd. L70 LED Life (Hrs)
45T-27/65K8	4,653	101	46	80,000
45T-27/65K9	3,750	82	46	80,000
67T-27/65K8	6,961	102	68	80,000
67T-27/65K9	5,766	85	68	80,000

All products tested with the SYM/9 lens configuration. Output with other lens configurations will vary. Information subject to change without notice. Visit www.kenall.com for additional information.

PERFORMANCE SCALING, BY LAMP COLOR

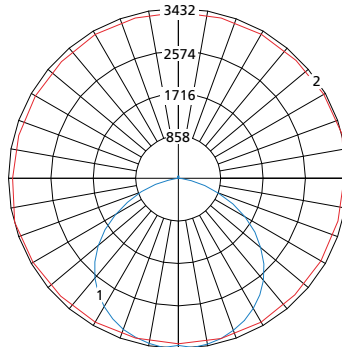
CCT (K)	27/65K8					27/65K9				
	LUMEN SCALE FACTOR	Ra	R9	Rf	Rg	LUMEN SCALE FACTOR	Ra	R9	Rf	Rg
2700	0.97	83	10	83	97	0.98	92	57	89	98
3000	0.98	84	15	83	98	0.99	94	70	91	99
3500	0.99	86	23	84	98	0.99	95	77	92	99
4000	1.00	86	26	84	98	1.00	96	83	92	99
4600	1.01	86	28	84	98	1.01	96	90	92	100
5000	1.01	86	25	83	98	1.03	96	96	91	101
5700	1.02	85	23	82	98	1.02	96	96	91	100
6500	1.04	84	16	82	96	1.02	96	96	90	100

CCT AND INTENSITY ADJUSTMENT PROFILE - ATW DRIVER TYPE



NOTE: The provided information is the typical expected performance of a single luminaire. Additional luminaires on the same 0-10V line may result in different control profiles. Fine tuning of system performance should be completed after installation is complete. To avoid CCT shift between luminaires, care should be taken to minimize voltage drop on the CCT Control line. It is recommended to limit the load on the CCT control circuit to twenty (20) 45T or ten (10) 67T/90T luminaires or less.

Model: SDSA-4-1/1-67T-27/65K8-ATW-DV-SYM/9-1



Maximum Candela = 3432 Located At Horizontal Angle = 15, Vertical Angle = 5

- 1 - Vertical Plane Through Horizontal Angles (15-195) (Through Max. Cd.)
- 2 - Horizontal Cone Through Vertical Angle (5) (Through Max. Cd.)



www.kenall.com | P: 800-4-Kenall | F: 262-891-9701 | 10200 55th Street Kenosha, Wisconsin 53144, USA

This product complies with the Buy American Act: manufactured in the United States with more than 50% of the component cost of US origin. It may be covered by patents found at www.kenall.com/patents. Content of specification sheets is subject to change; please consult www.kenall.com for current product details. ©2019 Kenall Mfg. Co.

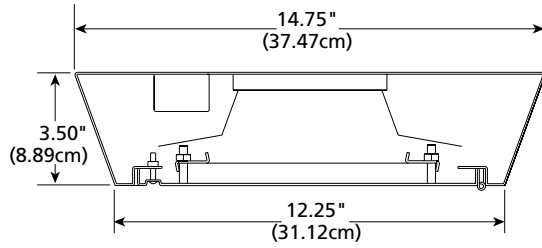
A brand of Legrand

MIGHTY MAC™

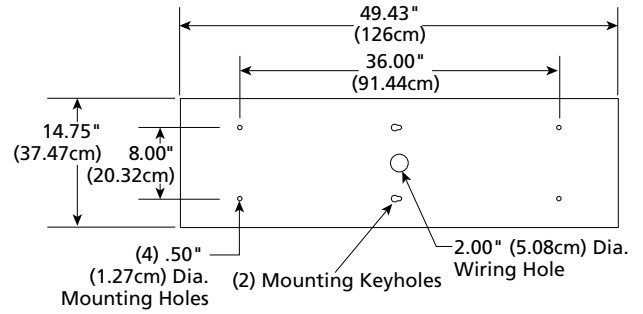
SDSA SERIES - TUNABLE WHITE LED

DIMENSIONAL DATA

CROSS SECTION



MOUNTING HOLES



www.kenall.com | P: 800-4-Kenall | F: 262-891-9701 | 10200 55th Street Kenosha, Wisconsin 53144, USA

A brand of **legrand**

This product complies with the Buy American Act: manufactured in the United States with more than 50% of the component cost of US origin. It may be covered by patents found at www.kenall.com/patents. Content of specification sheets is subject to change; please consult www.kenall.com for current product details. ©2019 Kenall Mfg. Co.