

MIGHTY MAC™

SCH SERIES

PRODUCT FEATURES:

- » Surface ceiling mount – 20"×24" and 20"×48"
- » TIG welded housing with no post grinding for additional strength
- » Vertically adjustable bracket secured to housing via thru-studs



PROJECT INFORMATION

Job Name _____

Fixture Type _____

Catalog Number _____

Approved by _____

SPECIFICATIONS

HOUSING: One-piece die-formed prime grade material as specified – see ordering information. Corners continuously seam welded and smooth with no post grinding (TIG). Clamshell housing resistant to penetration and contraband concealment.

BASEPLATE: Prime grade material as specified – see ordering information. Die-formed blade trap (1/4" minimum) prevents contraband concealment and access. Embossed standoffs prevent distortion.

LENS: As specified – maximum thickness .625" – see ordering information. Kenall recommends a prismatic inner lens and a clear outer lens. Two clear lenses used in combination cannot be provided.

LENS RETENTION: Vertically adjustable continuous "Z" brackets of prime grade material, secured to housing via thru-studs (6" maximum spacing).

HINGE: 2' completely concealed internal drop slot piano hinge (1/2" knuckle/1/8" diameter pin) standard. Pin secured to knuckle. Hinge welded to housing and mounts to either side of baseplate via keyholes. See Options for Full Length Internal Hinge (IHF).

FASTENERS: Hardened security screws as specified – see ordering information. Fully recessed.

LED ELECTRICAL: Available 3500K, 4000K and 5000K color temperatures, 82 CRI. 120-277VAC, or 347VAC 50/60Hz electrical input with serviceable high power factor electronic, constant-current driver (<20% THD, >0.95 PF). Standard 0-10V dimming with 1-100% range and dim-to-dark capabilities (non dim-to-dark with 347V); 330µA max. source current.

FINISH: TGIC polyester powder coat – 5-stage pre-treatment. Salt spray test: 1,000 hours; Reflectance: 92%.

LAMPS: Quantity and type as specified – see ordering information. Lamps supplied by others.

BALLAST: Quantity and type as specified – see ordering information. All ballasts UL listed class P. Optional removable reflector/lamp/ballast tray with quick disconnect.

LUMINOUS SEAL: Polyurethane foam prevents light leaks from luminaire base.

INSTALLATION: Fixture not suitable for Surface Conduit or Continuous Row Mounting.

PHOTOMETRICS: Efficiency of SCH4-0/0-332-IS-1-120-1/B-1 = 60%. For photometric information, go to www.kenall.com.

WARRANTY: Limited five (5) year warranty on LED lamps.

LISTINGS: UL and CUL listed for Damp Locations. See Ordering Information for Wet Location applications.



ORDERING INFORMATION (Ex: SCH-1/1-67L35K-DCC-DV-SYM/B-1-FS)

| Model | Size | Housing/Base | Lamp Qty | Lamp Type | Ballast/Driver | Voltage | Lens (Inner/Outer) | Fasteners | Options |
|------------------------------|---------------------------|-------------------------------------|---------------------------------|---|----------------|---|--------------------------|-----------|---------|
| SCH | | / | | | | | / | | |
| Nominal Size | | Lamp Quantity (n/a with LED) | | Voltage | | Fastener | | | |
| 2 | 20"×24" | 2 | Two | 120 | 120 Volts | 1 | Torx® Head w/ Center Pin | | |
| 4 | 20"×48" | 3 | Three | 277 | 277 Volts | 2 | Allen Head w/ Center Pin | | |
| Housing/Base Material | | Lamp Type | | Lens (Inner/Outer)‡ | | Options | | | |
| 0 | 14-Ga CRS (Painted White) | 2' | (60.96cm) Nominal Length | SYM Symmetric, Diffused DR Acrylic | | LEL Integral 8.4W Emergency Battery Backup (45L max; n/a 347V, 0°C min ambient) | | | |
| 1 | 16-Ga CRS (Painted White) | 17 | F17T8 | 0 No Lens | | LELST Integral 6W Self-Testing Emergency Battery Backup (45L max; n/a 347V, 0°C min ambient) | | | |
| 3 | 14-Ga SS (Painted White) | 4' (122cm) Nominal Length | | 1 .125" Prismatic Acrylic | | EL• Standard Lumen EL Pack | | | |
| 4 | 16-Ga SS (Painted White) | 45L35K | 45 Watt 3500K LED (82 CRI) | 2 .125" Prismatic Polycarbonate | | DLN LED Night Light w/ Light Level Control (100% - 20% range, voltage-specific selection required, n/a 347V) | | | |
| 6* | 14-Ga SS (Brushed) | 45L50K | 45 Watt 5000K LED (82 CRI) | 3 .125" Textured Polycarbonate | | FS Single Fuse & Holder | | | |
| 7* | 16-Ga SS (Brushed) | 67L35K | 67 Watt 3500K LED (82 CRI) | G▲ .125" Clear Polycarbonate | | IHF Full Length Internal Hinge | | | |
| 9 | 12-Ga CRS (Painted White) | 67L40K | 67 Watt 4000K LED (82 CRI) | 4 .156" Prismatic Polycarbonate | | RGT Removable Gear Tray | | | |
| | | 67L50K | 67 Watt 5000K LED (82 CRI) | TG .125" Textured Tempered Glass | | SK Speaker Housing Extension | | | |
| | | 90L35K | 90 Watt 3500K LED (82 CRI) | 6 .187" Prismatic Polycarbonate | | WL Wet Location Listed | | | |
| | | 90L40K | 90 Watt 4000K LED (82 CRI) | 7▲ .187" Clear Polycarbonate | | | | | |
| | | 90L50K | 90 Watt 5000K LED (82 CRI) | 8▲ .187" Clear Tempered Glass | | | | | |
| | | 32 | F32T8 | 9▲ .250" Clear Polycarbonate | | | | | |
| | | Driver Type | | A▲ .250" Clear Tempered Glass | | | | | |
| | | DCC | Dimming Constant Current | B▲ .375" Clear Polycarbonate | | | | | |
| | | | | C▲ .375" Clear Tempered Glass | | | | | |
| | | | | J▲ .500" Clear Polycarbonate | | | | | |
| | | | | P▲ .500" Clear Tempered Glass | | | | | |

* n/a as Base Material
 ‡ Refer to lens specifications
 • n/a with LED
 ▲ Must be paired with prismatic, textured or diffused lens when ordering LED lamps
 ▼ Can only be used with clear outer lens



www.kenall.com | P: 800-4-Kenall | F: 262-891-9701 | 10200 55th Street Kenosha, Wisconsin 53144, USA

This product complies with the Buy American Act: manufactured in the United States with more than 50% of the component cost of US origin. It may be covered by patents found at www.kenall.com/patents. Content of specification sheets is subject to change; please consult www.kenall.com for current product details. ©2019 Kenall Mfg. Co.

A brand of **legrand**

MIGHTY MAC™

SCH SERIES

PERFORMANCE

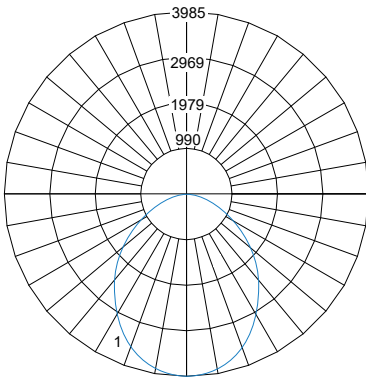
| Lamp Type | Initial Delivered Lumens | | Input Power (W) | Drive Current (mA) | Estd. L70 LED Life (Hrs) |
|-----------|--------------------------|-----------------|-----------------|--------------------|--------------------------|
| | @ 25°C | Efficacy (lm/W) | | | |
| 45L35K | 5,373 | 121 | 44 | 100 | 80,000 |
| 45L40K | 5,557 | 125 | 44 | 100 | 80,000 |
| 45L50K | 5,785 | 130 | 44 | 100 | 80,000 |
| 67L35K | 8,580 | 115 | 74 | 75 | 80,000 |
| 67L40K | 8,873 | 119 | 74 | 75 | 80,000 |
| 67L50K | 9,237 | 124 | 74 | 75 | 80,000 |
| 90L35K | 10,596 | 109 | 97 | 100 | 80,000 |
| 90L40K | 10,957 | 113 | 97 | 100 | 80,000 |
| 90L50K | 11,407 | 118 | 97 | 100 | 80,000 |

NOTE: All products tested with SYM/B lens configuration. See "Lumen Output Scaling Factor" table for output values with alternate lens configurations. Information subject to change without notice. Visit www.kenall.com for IES files and additional information.

LUMEN OUTPUT SCALING FACTORS

| Lens Configuration | Inner Lens | Outer Lens | Scaling Factor |
|--------------------|------------------------|----------------|----------------|
| SYM/G | 1/8" Frost Acrylic | 1/8" Clear PC | 1.10 |
| SYM/7 | | 3/16" Clear PC | 1.06 |
| SYM/8 | | 3/16" Clear TG | 1.06 |
| SYM/9 | | 1/4" Clear PC | 1.03 |
| SYM/B | | 3/8" Clear PC | 1.00 |
| SYM/C | | 3/8" Clear TG | 1.03 |
| SYM/J | | 1/2" Clear PC | 0.99 |
| 1/G | 1/8" Prismatic Acrylic | 1/8" Clear PC | 1.04 |
| 1/9 | | 1/4" Clear PC | 0.99 |
| 1/B | | 3/8" Clear PC | 0.99 |
| 2/J | 1/8" Prismatic PC | 1/2" Clear PC | 0.87 |

Model: SCH-4-x-y-90L40K-DCC-z-SYM-B-1

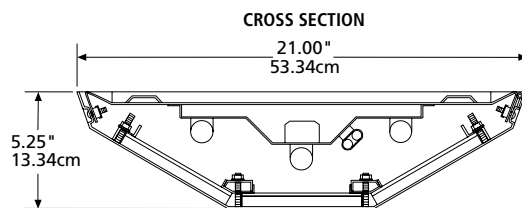


Maximum Candela = 3958 Located At Horizontal Angle = 0, Vertical Angle = 2.5

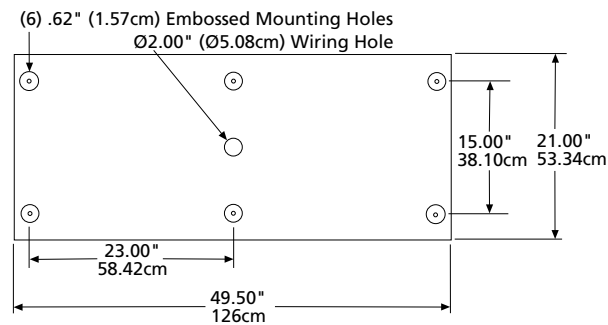
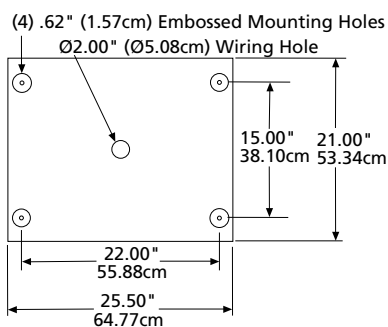
- 1 - Vertical Plane Through Horizontal Angles (0-180) (Through Max. Cd.)
- 2 - Horizontal Cone Through Vertical Angle (2.5) (Through Max. Cd.)

NOTE: Use this table to determine the lumen output and efficacy of the desired lens configuration by multiplying the provided value with the appropriate number in the "Performance" table above.

DIMENSIONAL DATA



MOUNTING HOLES



www.kenall.com | P: 800-4-Kenall | F: 262-891-9701 | 10200 55th Street Kenosha, Wisconsin 53144, USA

This product complies with the Buy American Act: manufactured in the United States with more than 50% of the component cost of US origin. It may be covered by patents found at www.kenall.com/patents. Content of specification sheets is subject to change; please consult www.kenall.com for current product details. ©2019 Kenall Mfg. Co.

A brand of **Legrand**

SCH-060320