

MIGHTY MAC™

SCD SERIES

PRODUCT FEATURES:

- » Surface ceiling mount – 24"×24", 24"×48"
- » TIG welded housing with no post grinding for additional strength
- » Vertically adjustable Z bracket with thru-studs spaced 6" apart
- » Full length concealed internal piano hinge



PROJECT INFORMATION

Job Name _____

Fixture Type _____

Catalog Number _____

Approved by _____

SPECIFICATIONS

HOUSING: One-piece die-formed prime grade material as specified – see Ordering Information. Corners continuously seam welded and smooth with no post grinding (TIG). Clamshell housing resistant to penetration and contraband concealment.

BASEPLATE: Prime grade material as specified – see Ordering Information. Die-formed blade trap (1/4" minimum) prevents contraband concealment and access. Embossed standoffs prevent distortion.

LENS: As specified – maximum total thickness .875" – see Ordering Information. Kenall recommends a clear outer lens with a prismatic, textured or diffused inner lens. Two clear lenses used in combination cannot be provided.

LENS RETENTION: Vertically adjustable continuous "Z" brackets of prime grade material, secured to housing via thru-studs (6" maximum spacing).

HINGE: Full length continuous heavy gauge internal piano hinge (1/2" knuckle/1/8" (diameter pin) standard. Pin secured to knuckle. Hinge welded to housing and mounts to baseplate via keyholes.

FASTENERS: Hardened security screws as specified – see Ordering Information. Fully recessed.

LUMINOUS SEAL: Polyurethane foam prevents light leaks from luminaire base.

FINISH: TGIC polyester powder coat – 5-stage pre-treatment. Salt spray test: 1,000 hours; Reflectance: 92%.

ELECTRICAL: Available 3000K, 3500K, 4000K and 5000K color temperatures, 82 CRI. 120-277VAC, or 347VAC 50/60Hz electrical input with serviceable high power factor electronic, constant-current driver (<20% THD, >0.95 PF). Standard 0-10V dimming with 1-100% range and dim-to-dark capabilities (non dim-to-dark with 347V); 330 µA max. source current. LF: Lamps quantity and type as specified – see Ordering Information. Lamps supplied by others. Ballast quantity and type as specified – see Ordering Information. All ballasts UL listed class P. Optional removable reflector/lamp/ballast tray with quick disconnect.

SENSOR & CONTROLS: Optional sensor available with compatible third party controls. To see the full list of compatible controls, click [here](#).

INSTALLATION: Fixture not suitable for Surface Conduit or Continuous Row Mounting.

WARRANTY: Limited five (5) year warranty on LED lamps.

LISTINGS: UL and CUL Listed for Damp Locations.



ORDERING INFORMATION (Ex: SCD-4-0/0-90L40K-DCC-DV-SYM/B-1-SK)

Model	Size	Housing/Base	Lamp Qty	Lamp Type	Driver/Ballast	Ballast Qty	Voltage	Lens (Inner/Outer)	Fasteners	Options
SCD										
Nominal Size			Lamp Type			Ballast Quantity (n/a with LED)			Fastener	
2	24"×24"		2	2L Nominal Length		1	One		1	Torx® T-20 Head w/ Center Pin
4	24"×48"		4	25L30K 25 Watt 3000K LED (82 CRI)		2	Two		2	Allen Head w/ Center Pin
				25L35K 25 Watt 3500K LED (82 CRI)						
				25L40K 25 Watt 4000K LED (82 CRI)						
				25L50K 25 Watt 5000K LED (82 CRI)						
				17 F17T8						
Housing/Base Material			4' Nominal Length			Voltage			Options	
0	14-Ga CRS (Painted White)		4	45L30K 45 Watt 3000K LED (82 CRI)		120	120 Volts		LEL	Integral 8.4W Emergency Battery Backup (4' only, 45L max; n/a 347V, 0°C min ambient)
1	16-Ga CRS (Painted White)		4	45L35K 45 Watt 3500K LED (82 CRI)		277	277 Volts		LELST	Integral 6W Self-Testing Emergency Battery Backup (4' only, 45L max; n/a 347V, 0°C min ambient)
3	14-Ga SS (Painted White)		4	45L40K 45 Watt 4000K LED (82 CRI)		347	347 Volts		EL•	Standard Lumen EL Pack
4	16-Ga SS (Painted White)		4	45L50K 45 Watt 5000K LED (82 CRI)		DV	120 -277Volts		DLN	LED Night Light w/Light Level Control (100% - 20%; voltage-specific selection required; n/a with 347V)
6*	14-Ga SS (Brushed)		4	67L30K 67 Watt 3000K LED (82 CRI)					FS	Single Fuse & Holder
7*	16-Ga SS (Brushed)		4	67L35K 67 Watt 3500K LED (82 CRI)					RGT	Removable Gear Tray
9	12-Ga CRS (Painted White)		4	67L40K 67 Watt 4000K LED (82 CRI)					SK	Speaker Housing Extension
			4	67L50K 67 Watt 5000K LED (82 CRI)						
Lamp Quantity (n/a with LED)			Driver/Ballast Type			Lens (Inner/Outer)†				
2	Two		DCC	Dimming Constant Current Driver		0	No Lens			* n/a as Base Material
3	Three		IS	Instant Start Electronic <10% THD		1	.125" Prismatic Acrylic			†Refer to lens specifications
4	Four		RS	Rapid Start Electronic <10% THD		2	.125" Prismatic Polycarbonate			• n/a with LED
			SB	Specified Ballast		3	.125" Textured Polycarbonate			▲Must be paired with prismatic, textured or diffused film lens when ordering LED lamps
						G▲	.125" Clear Polycarbonate			▼ Can only be used with clear outer lens
						4	.156" Prismatic Polycarbonate			
						TG	.250" Textured Tempered Glass			
						6	.187" Prismatic Polycarbonate			
						7▲	.187" Clear Polycarbonate			
						8▲	.187" Clear Tempered Glass			
						9▲	.250" Clear Polycarbonate			
						A▲	.250" Clear Tempered Glass			
						B▲	.375" Clear Polycarbonate			
						C▲	.375" Clear Tempered Glass			
						J▲	.500" Clear Polycarbonate			
						P▲	.500" Clear Tempered Glass			
						N▲	.750" Clear Tempered Glass			



www.kenall.com | P: 800-4-Kenall | F: 262-891-9701 | 10200 55th Street Kenosha, Wisconsin 53144, USA

A brand of **legrand**

This product complies with the Buy American Act: manufactured in the United States with more than 50% of the component cost of US origin. It may be covered by patents found at www.kenall.com/patents. Content of specification sheets is subject to change; please consult www.kenall.com for current product details. ©2022 Kenall Mfg. Co.

SCD SERIES

PERFORMANCE

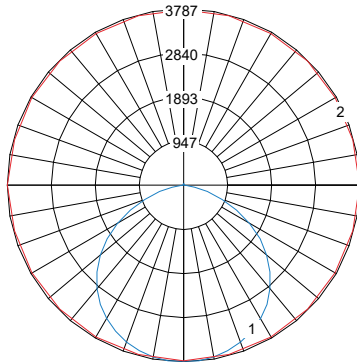
Model	Lamp Type	Initial Delivered Lumens		Input Power (W)	Drive Current (mA)	Estd. L70 LED Life (Hrs)
		@ 25°C	Efficacy (lm/W)			
SCD-2	25L30K	2,664	94	28	117	80,000
	25L35K	2,746	97	28	117	80,000
	25L40K	2,840	100	28	117	80,000
	25L50K	2,954	104	28	117	80,000
SCD-4	45L30K	5,044	109	46	100	80,000
	45L35K	5,200	112	46	100	80,000
	45L40K	5,377	116	46	100	80,000
	45L50K	5,598	121	46	100	80,000
	67L30K	8,054	108	74	75	80,000
	67L35K	8,303	112	74	75	80,000
	67L40K	8,586	115	74	75	80,000
	67L50K	8,938	120	74	75	80,000
	90L30K	9,946	103	97	100	80,000
	90L35K	10,253	106	97	100	80,000
	90L40K	10,603	110	97	100	80,000
	90L50K	11,038	114	97	100	80,000

NOTE: All products tested with SYM/B lens configuration. See "Lumen Output Scaling Factor" table for output values with alternate lens configurations. Information subject to change without notice. Visit www.kenall.com for IES files and additional information.

LUMEN OUTPUT SCALING FACTORS

Lens Configuration	Inner Lens	Outer Lens	Scaling Factor
SYM/G	1/8" Frost Acrylic	1/8" Clear PC	1.10
SYM/7		3/16" Clear PC	1.06
SYM/8		3/16" Clear TG	1.06
SYM/9		1/4" Clear PC	1.03
SYM/B		3/8" Clear PC	1.00
SYM/C		3/8" Clear TG	1.03
SYM/J		1/2" Clear PC	0.99
1/G		1/8" Prismatic Acrylic	1/8" Clear PC
1/9	1/4" Clear PC		0.99
1/B	3/8" Clear PC		0.99
2/J	1/8" Prismatic PC		1/2" Clear PC

Model: SCD-4-x-y-90L40K-DCC-z-SYM-B-1



Maximum Candela = 3787 Located At Horizontal Angle = 0, Vertical Angle = 5

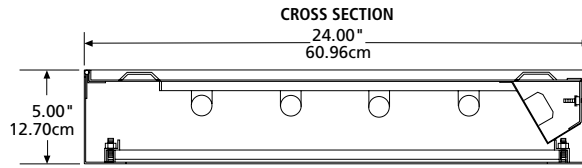
- 1 - Vertical Plane Through Horizontal Angles (0-180) (Through Max. Cd.)
- 2 - Horizontal Cone Through Vertical Angle (5) (Through Max. Cd.)

NOTE: Use this table to determine the lumen output and efficacy of the desired lens configuration by multiplying the provided value with the appropriate number in the "Performance" table above.



SCD SERIES

DIMENSIONAL DATA



MOUNTING HOLES

