

SENSCAPE™

Luminaires for Parks, Campus and Commercial Areas

SA18 SERIES

PRODUCT FEATURES:

- » Architectural, modern design aesthetic scaled for mounting heights of 9-20 feet
- » Multiple mounting configuration and optical distribution options to suit all common area lighting scenarios
- » Lumen outputs up to 16,000lm with color temperatures ranging from 3000K to 5000K



POST TOP MOUNT



POLE MOUNT



WALL MOUNT

SPECIFICATIONS

HOUSING: Marine-grade die-cast aluminum construction. Integral aluminum heat sink with concealed air inlet and convection fins. All power electronics removed from primary thermal path; all drivers with dedicated heatsink to exterior of luminaire. TGIC polyester powder coat finish with five-step pre-treatment; salt-spray test 1,000 hours. See Ordering Information for available finishes. Closed-cell silicone gasketing at all housing interfaces.

MOUNTING: Post Top: Fitter assembly mounts over a 2-3/8" tenon on 3, 4 and 5 inch round and square poles and secured via four (4), corrosion resistant set screws. Fitter design provides gentle transition to 3" O.D. round pole. Pole Mount: Internal bracket and hardware provided for drilled round and square 3 inch and larger poles. Wall Mount: Quick and simple mounting bracket allows four point mounting to rigid walls.

OPTICS: Type II, III, IV and V Square optical distributions. Each type available with Narrow, Medium and Wide options for glare mitigation (Wide has the lowest level of glare mitigation, Narrow the highest). Internal house-side shield available (does not impact EPA). Injection-molded acrylic or polycarbonate tertiary outer lens.

ELECTRICAL: Replaceable high-brightness LED array. See Ordering Information for color temperature options. 120-277VAC or 277-480VAC, 50/60Hz input with replaceable high power factor electronic constant-current driver (<10% THD, >0.95 PF). Standard 0-10V dimming with 10-100% range; 0.9mA max source current. Minimum 85% driver efficiency. EMC performance compliant with FCC CFR Part 15. Serviceable surge protection device rated to 6kV per ANSI C62.41-2002 category C low.

PHOTOMETRICS: Photometry tested to the IESNA LM-79-08 standard by an ILAC/ISO17025 accredited laboratory. For photometric data, please go to www.kenall.com.

WARRANTY: Limited five (5) year warranty.

LISTINGS: Luminaire is certified to UL Standards by Intertek Testing Laboratory for Wet Location. IP65 rating per IEC 60598. Luminaire is 3G tested for vibration per ANSI C136.31. Suitable for installation into -40°C to 40°C ambient environments.



ORDERING INFORMATION (Ex: SA18-PM-MB-4-M-H-P-115L-40K8-DCC-CV)

Model	Mounting	Finish	Distribution	Diffusion	House-Side	Lens Type	Lamp Power	Lamp Color	Driver	Voltage	Options
SA18										DCC	
Mounting			Distribution Type			Lens Type			Input Voltage		
PT	Post Top Mount		2	Type II		P	Polycarbonate		DV	120-277VAC, 50/60Hz	
PM	Pole Mount		3	Type III		A	Acrylic		CV	277-480VAC, 50/60Hz	
WM	Wall Mount		4	Type IV							
			5S	Type V Square							
Finish			Diffusion			Lamp Power			Options		
MW	Matte White (PCTT80126)		N	Narrow (Full Diffusion)		30L	30W LED		RL†	Rotate optics 90 degrees left	
LG	Light Gray (PCTT70124)		M	Medium (Softened Diffusion)		45L	45W LED		RR†	Rotate optics 90 degrees Right	
BR	Bronze (PCTT25109)		W	Wide (Clear)		70L	70W LED		FS	Single Fuse & Holder	
DB	Dark Bronze (PCTT20123)					90L	90W LED		N7P	NEMA 7 Pin Receptacle (Photocell by others)	
MB	Matte Black (PCTT90115)					115L	115W LED		BG	Bird Guard	
IV	Ivory (PPL92485)		House-Side Shield			Lamp Color			* n/a with 5S Distribution Type † n/a with PT Mounting or 5S Distribution Type		
FG	Forest Green (PLGT3)		H*	House-Side Shield		30K8	3000K/80CRI min				
SL	Silver (PCTT75112)		S	No House-Side Shield		40K7	4000K/70CRI min				
CC	Custom Color (consult factory)					40K8	4000K/80CRI min				
						50K7	5000K/70CRI min				
Driver Type											
DCC 0-10V Dimming Constant Current											



SENSCAPE™

Luminaires for Parks, Campus and Commercial Areas

SA18 SERIES

PERFORMANCE

Optic Type	Optic Width	House-Side Shield	Lens Type	Luminaire Performance, by Lamp Power									
				30L		45L		70L		90L		115L	
				Lumens (lm)	BUG Rating	Lumens (lm)	BUG Rating	Lumens (lm)	BUG Rating	Lumens (lm)	BUG Rating	Lumens (lm)	BUG Rating
Type II	N	H	P	1,738	B1-U0-G1	2,658	B1-U0-G1	3,540	B1-U0-G1	4,223	B1-U0-G1	6,471	B2-U0-G1
		S		3,712	B1-U0-G1	5,678	B2-U0-G1	7,562	B2-U0-G2	9,021	B3-U0-G2	13,825	B3-U0-G2
	M	H		1,994	B0-U0-G0	3,051	B0-U0-G1	4,062	B1-U0-G1	4,847	B1-U0-G1	7,427	B1-U0-G1
		S		3,937	B1-U0-G1	6,022	B2-U0-G1	8,020	B2-U0-G2	9,568	B2-U0-G2	14,662	B3-U0-G2
	W	H		2,217	B0-U0-G0	3,391	B0-U0-G1	4,515	B0-U0-G1	5,387	B1-U0-G1	8,255	B1-U0-G2
		S		4,107	B1-U0-G1	6,283	B2-U0-G1	8,367	B2-U0-G2	9,982	B2-U0-G2	15,297	B3-U0-G2
Type III	N	H	P	1,662	B1-U0-G0	2,543	B1-U0-G1	3,386	B1-U0-G1	4,040	B1-U0-G1	6,191	B2-U0-G1
		S		3,757	B1-U0-G1	5,747	B2-U0-G1	7,654	B2-U0-G2	9,131	B3-U0-G2	13,993	B3-U0-G3
	M	H		1,906	B0-U0-G1	2,915	B0-U0-G1	3,882	B1-U0-G1	4,631	B1-U0-G1	7,097	B1-U0-G1
		S		4,004	B1-U0-G1	6,125	B2-U0-G1	8,157	B2-U0-G2	9,732	B2-U0-G2	14,914	B3-U0-G2
	W	H		2,102	B0-U0-G0	3,216	B0-U0-G1	4,283	B1-U0-G1	5,110	B1-U0-G1	7,830	B1-U0-G2
		S		4,114	B1-U0-G1	6,293	B2-U0-G1	8,380	B2-U0-G2	9,998	B2-U0-G2	15,321	B3-U0-G3
Type IV	N	H	P	1,834	B1-U0-G1	2,806	B1-U0-G1	3,737	B1-U0-G1	4,458	B1-U0-G1	6,832	B2-U0-G1
		S		3,862	B1-U0-G1	5,907	B2-U0-G1	7,867	B3-U0-G2	9,385	B3-U0-G2	14,383	B3-U0-G3
	M	H		2,066	B0-U0-G1	3,161	B1-U0-G1	4,209	B1-U0-G1	5,022	B1-U0-G1	7,696	B1-U0-G1
		S		4,064	B1-U0-G1	6,216	B2-U0-G1	8,278	B2-U0-G2	9,876	B3-U0-G2	15,135	B3-U0-G2
	W	H		2,307	B0-U0-G0	3,529	B0-U0-G1	4,700	B1-U0-G1	5,607	B1-U0-G1	8,592	B1-U0-G2
		S		4,162	B1-U0-G1	6,367	B2-U0-G1	8,479	B2-U0-G2	10,116	B2-U0-G2	15,502	B3-U0-G2
Type V Square	N	S	P	3,960	B2-U0-G1	6,058	B2-U0-G1	8,067	B2-U0-G1	9,624	B3-U0-G1	14,749	B3-U0-G1
	M			4,177	B2-U0-G1	6,390	B2-U0-G1	8,509	B3-U0-G1	10,151	B3-U0-G1	15,557	B3-U0-G2
	W			4,327	B2-U0-G1	6,619	B3-U0-G1	8,815	B3-U0-G1	10,516	B3-U0-G1	16,116	B4-U0-G2
Input Power (W)				35		54		78		100		141	
Input Current @ 277VAC (A)				0.137		0.201		0.294		0.377		0.521	
Calculated L70 (Hrs)				110,000		90,000		75,000		65,000		80,000	

NOTE: Product performance provided with 40K7 lamp color. See Lamp Color Scaling Table for lumen multiplier required when specified in alternate colors. Information subject to change without notice. Please see www.kenall.com for additional information and .IES files.

LAMP COLOR SCALING FACTOR

Lamp Power	30K8	40K7	40K8	50K7
ALL	0.92	1.00	0.94	1.01

EPA DATA

Mounting	Pole Mount	Post Top
EPA	0.577 ft²	0.769 ft²
Weight	20 lbs	20 lbs



www.kenall.com

P: 800-4-Kenall

F: 262-891-9701

10200 55th Street Kenosha, Wisconsin 53144

A brand of legrand

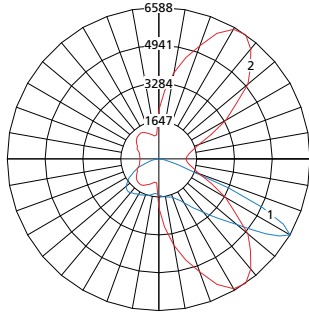
This product may be covered by patents found at www.kenall.com/patents. Content of specification sheets is subject to change; please consult www.kenall.com for current product details.
© 2022 Kenall Mfg. Co. All rights reserved.

SENSCAPE™
Luminaires for Parks, Campus and Commercial Areas
SA18 SERIES

For additional photometry, go to www.kenall.com

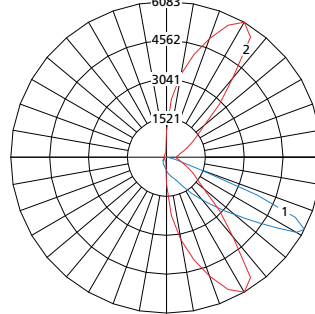
PERFORMANCE

Model: SA18-yy-zz-2-W-S-P-90L-40K7-DCC-DV



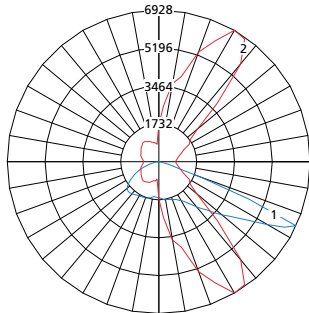
Max Candela = 6588 Located At Horizontal Angle = 55, Vertical Angle = 60
 1 - Vertical Plane Through Horizontal Angles (55 - 235) (Through Max. Cd.)
 2 - Horizontal Cone Through Vertical Angle (60) (Through Max. Cd.)

Model: SA18-yy-zz-2-W-H-P-90L-40K7-DCC-DV



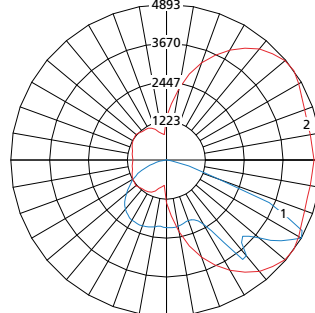
Max Candela = 6083 Located At Horizontal Angle = 60, Vertical Angle = 62.5
 1 - Vertical Plane Through Horizontal Angles (60 - 240) (Through Max. Cd.)
 2 - Horizontal Cone Through Vertical Angle (62.5) (Through Max. Cd.)

Model: SA18-yy-zz-3-W-S-P-90L-40K7-DCC-DV



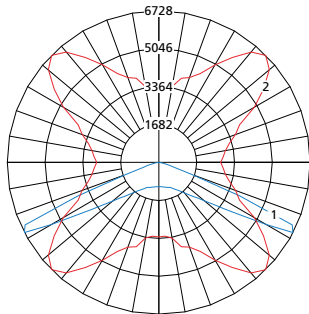
Max Candela = 6928 Located At Horizontal Angle = 60, Vertical Angle = 65
 1 - Vertical Plane Through Horizontal Angles (60 - 240) (Through Max. Cd.)
 2 - Horizontal Cone Through Vertical Angle (65) (Through Max. Cd.)

Model: SA18-yy-zz-4-W-S-P-90L-40K7-DCC-DV



Max Candela = 4893 Located At Horizontal Angle = 35, Vertical Angle = 60
 1 - Vertical Plane Through Horizontal Angles (35 - 215) (Through Max. Cd.)
 2 - Horizontal Cone Through Vertical Angle (60) (Through Max. Cd.)

Model: SA18-yy-zz-5S-W-S-P-90L-40K7-DCC-DV



Max Candela = 6728 Located At Horizontal Angle = 45, Vertical Angle = 62.5
 1 - Vertical Plane Through Horizontal Angles (45 - 225) (Through Max. Cd.)
 2 - Horizontal Cone Through Vertical Angle (62.5) (Through Max. Cd.)



www.kenall.com

P: 800-4-Kenall

F: 262-891-9701

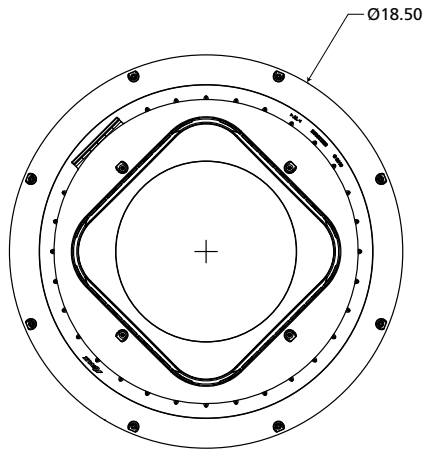
10200 55th Street Kenosha, Wisconsin 53144

A brand of **legrand**

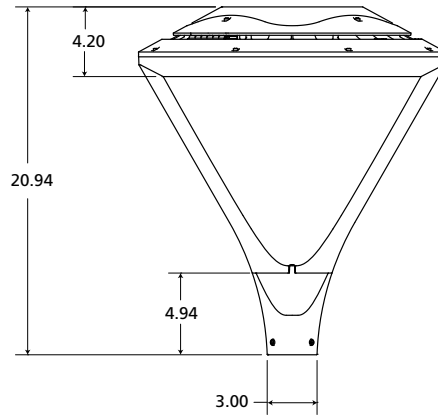
This product may be covered by patents found at www.kenall.com/patents. Content of specification sheets is subject to change; please consult www.kenall.com for current product details.
 © 2022 Kenall Mfg. Co. All rights reserved.

SENSCAPE™
 Luminaires for Parks, Campus and Commercial Areas
SA18 SERIES

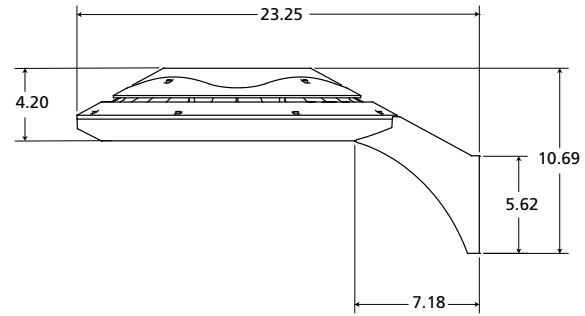
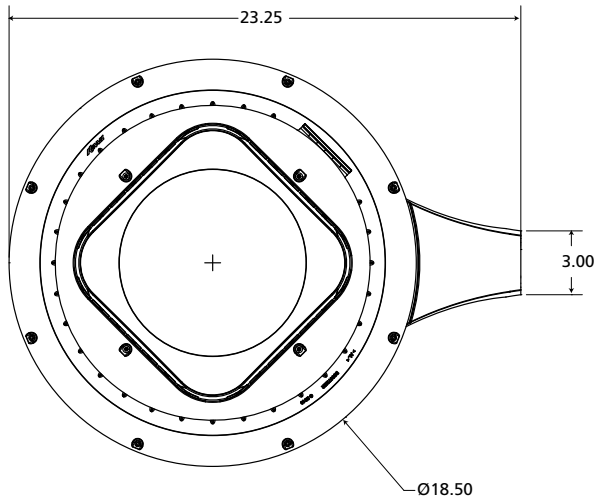
DIMENSIONAL DATA



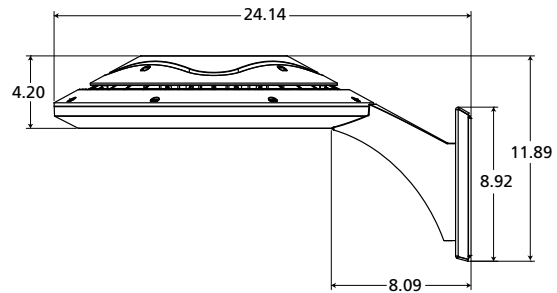
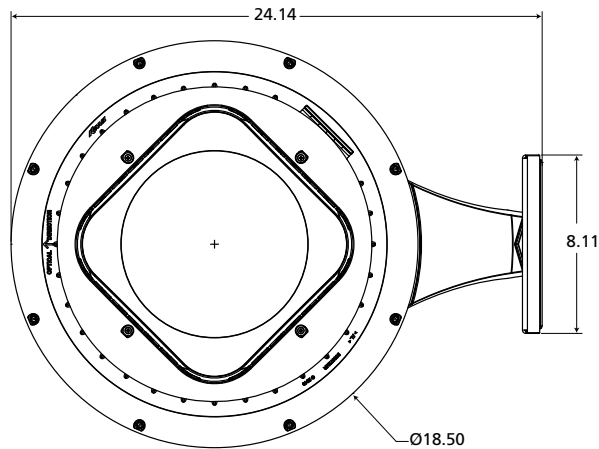
Post Top Mount



Pole Mount



Wall Mount



www.kenall.com

P: 800-4-Kenall

F: 262-891-9701

10200 55th Street Kenosha, Wisconsin 53144

A brand of **legrand**

This product may be covered by patents found at www.kenall.com/patents. Content of specification sheets is subject to change; please consult www.kenall.com for current product details.
 © 2022 Kenall Mfg. Co. All rights reserved.