

MIGHTY MAC™

RMCD SERIES with BIOS SkyBlue™

PRODUCT FEATURES:

- » Features BIOS SkyBlue Technology to benefit daytime alertness, cognition, mood and circadian rhythms
- » Recessed convertible ceiling mount
- » TIG-welded housing without post-weld grinding for additional strength
- » Full-length concealed internal piano hinge
- » Ligature resistant construction



SPECIFICATIONS

HOUSING: Die-formed prime grade material as specified – see Ordering Information. TIG and spot welded construction.

LENS: As specified – maximum overall thickness 0.625" – see Ordering Information. High-efficiency diffused DR acrylic inner lens.

LENS RETENTION: Vertically adjustable continuous "Z" brackets of prime grade material, secured to housing via thru-studs (6" maximum spacing).

DOOR: One-piece die-formed prime grade material as specified – see Ordering Information. Corners continuously seam welded and smooth with no post grinding (TIG).

HINGE: Full length completely concealed internal piano hinge (1/2" knuckle/1/8" diameter pin) standard. Pin secured to knuckle. Hinge welded to door.

FASTENERS: Fully recessed hardened security screws as specified – see Ordering Information.

FINISH: TGIC polyester powder coat – 5-stage pre-treatment. Salt spray test: 1,000 hours; Reflectance: 92%.

LED MODULE: Serviceable static, dynamic or tunable mid-power Gen 2 BIOS Biological LED modules. Biological Static, Biological Dynamic, and Biological Tunable LED source with blue spectrum peak at 490nm and higher melanopic ratio. CRI 80+ with R9 > 90. Dynamic features 500K downward CCT shift when dimmed for evening applications requiring lower melanopic ratio. Tunable features 2700K CCT for evening applications. Refer to table for specific melanopic values.

DRIVER/CONTROL: 120-277VAC, 50/60Hz electrical input (PF ≥ 0.9, THD < 20%). **Biological Static:** Serviceable, constant-current single channel driver with single analog (0-10V) control input for intensity. 1-100% range with dim to dark capabilities and a linear dimming curve. **Biological Dynamic:** Serviceable constant-current driver with the BIOS Dynamic Bio-Dimming™ module keeps light output constant while reducing melanopic lux. Single analog (0-10V) control input. 1-100% dimming range with dim-to-dark capabilities and a linear dimming curve. Dimming from 100-75% reduces CCT by 500K, dimming below 75% reduces light level. **Biological Tunable:** Serviceable, constant-current multi-channel programmable driver with dual analog (0-10V) control inputs for intensity and CCT. Optional DALI (Type 8) driver. Logarithmic intensity profile with 0.1-100% range, with dim-to-dark capabilities. Linear profile on CCT adjustment.

LUMINOUS SEAL: Polyurethane foam prevents light leaks from luminaire base.

WARRANTY: Limited five (5) year warranty on LED lamps.

PHOTOMETRICS: Photometry tested to the IESNA LM-79-08 standard by an ILAC/ISO17025 accredited laboratory. For photometric information, go to www.kenall.com.

LISTINGS: Luminaire is certified to UL standards by Intertek Testing Laboratory for Damp Locations. See Ordering Information for Wet Location applications. Suitable for ISO 5-8 environments when ordered with Wet Location option. Non IC rated. Ligature resistant construction. The impact resistance of this fixture greatly exceeds the IK10 rating per IEC 6006-2-75 when specified with polycarbonate lens options.



ORDERING INFORMATION (Ex: RMCD-2-TG-2/1-45B-35K8-ATW-DV-SYM/9-1-FS)

Model	Size	Ceiling Type	Door/Housing	Lamp Power	Lamp Color	Driver Type	Voltage	Lens (Inner/Outer)	Fasteners	Options
RMCD			/					SYM /		
	Nominal Size			Lamp Power				Lens (Inner/Outer)‡		
	2 24" x 24"			24" X 24"				SYM† .125" Diffused DR Acrylic		
	4 24" x 48"			45B 45 Watt BIOS				G .125" Clear Polycarbonate		
				67B 67 Watt BIOS				7 .187" Clear Polycarbonate		
	Ceiling Type+			24" X 48"				8 .187" Clear Tempered Glass		
	FL/TR Flange/Threaded Rod			45B 45 Watt BIOS				9 .250" Clear Polycarbonate		
	FL/CC Flange/Cross Channel			67B 67 Watt BIOS				A .250" Clear Tempered Glass		
	FL/Y Flange/Yoke			90B 90 Watt BIOS				B .375" Clear Polycarbonate		
	FL/SA Flange/Swing-Out Arms							C .375" Clear Tempered Glass		
	TG T-Grid			Lamp Color				J .500" Clear Polycarbonate		
	MP▲ Metal Pan			35K8 3500K SkyBlue / 80CRI min / R9 90+				P .500" Clear Tempered Glass		
	CZ Concealed Z-Spline			40K8 4000K SkyBlue / 80CRI min / R9 90+						
	Door/Housing Material			Driver Type				Fastener		
	0 14-Ga CRS (Painted White)			DIM1 BIOS Biological Static with 0-10V Dimming to 1% with Dim-to-Dark Capabilities				1 Torx® T-20 Head w/ Center Pin		
	1 16-Ga CRS (Painted White)			BIODIM1 BIOS Biological Dynamic with 0-10V Intensity Dimming to 1% and Dim-to-Dark Capabilities				2 Allen Head w/ Center Pin		
	2 18-Ga CRS (Painted White)			ATW BIOS Biological Tunable White with 0-10V Control of Intensity and CCT independently on 2 separate channels						
	3 14-Ga SS (Painted White)			DTW BIOS Biological Tunable White with DALI Control of Intensity and CCT independently on 2 separate channels						
	4 16-Ga SS (Painted White)									
	B 18-Ga SS (Painted White)									
	6* 14-Ga SS (Brushed)									
	7* 16-Ga SS (Brushed)									
	A* 18-Ga SS (Brushed)									
				Voltage						
				DV 120-277 Volts						
				120 120 Volts						
				277 277 Volts						

+ See ceiling types under DIMENSIONAL DATA for more information

* n/a as Hsg. Material

‡ Refer to lens specifications

† Not available as Outer lens or as standalone lens option

▲ Consult Grid system manufacturer for product compatibility



www.kenall.com | P: 800-4-Kenall | F: 262-891-9700 | 10200 55th Street Kenosha, Wisconsin 53144, USA

This product is able to comply with the latest domestic preference legislation, such as the Buy American Act (BAA), Trade Agreement Act (TAA), Build America, Buy America Act (BABA), and others. It may be covered by patents found at www.kenall.com/patents. Content of specification sheets is subject to change; please consult www.kenall.com for current product details. ©2025 Kenall Mfg. Co.

A brand of **legrand**

MIGHTY MAC™

RMCD SERIES with BIOS SkyBlue™

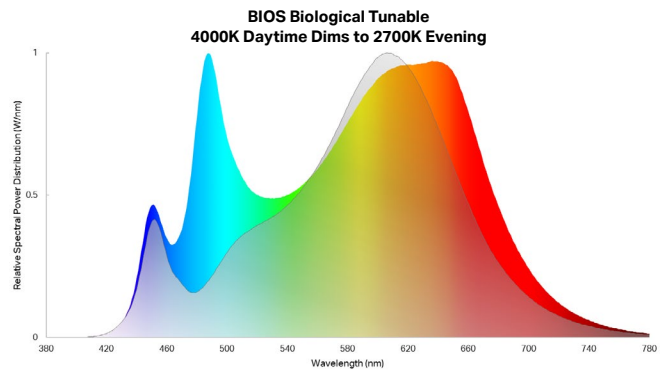
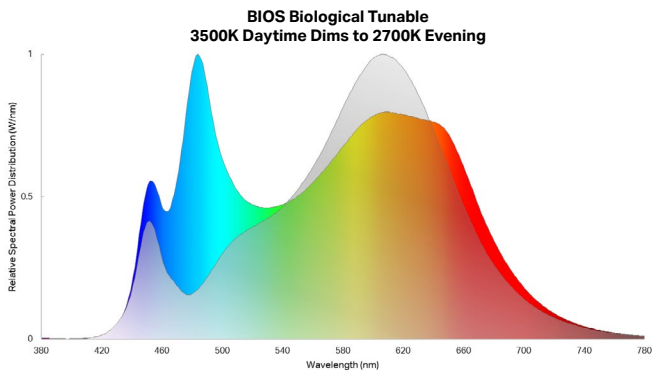
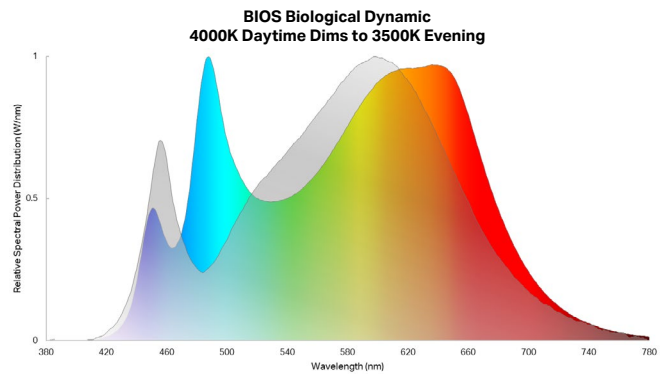
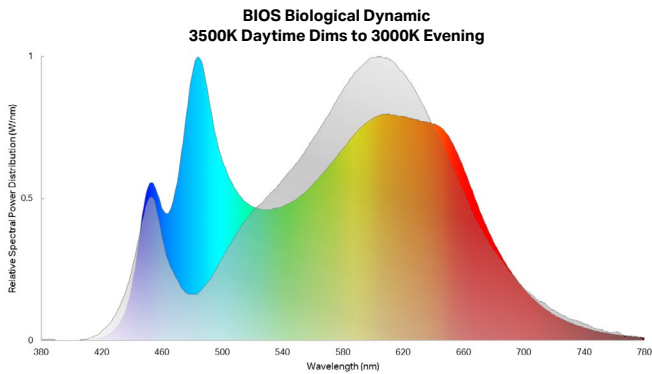
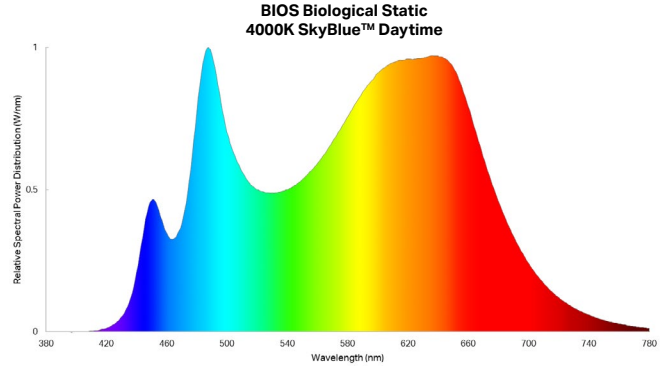
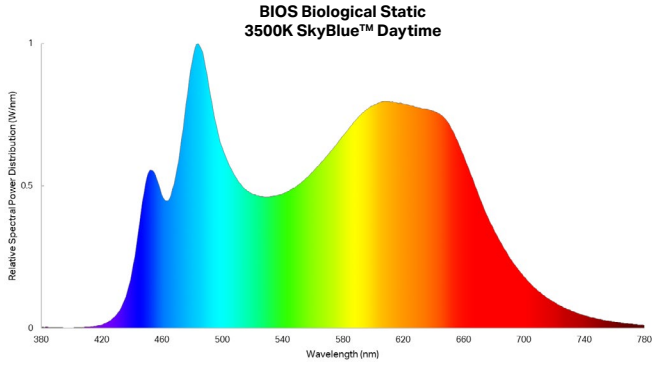
DELIVERED MELANOPIC RATIO OF 35K8 BIOS

BIOS Type	Spectral Mode	Nominal CCT	Melanopic Ratio*	
			m-EER	m-DER
Biological Static	Daytime	3500K	≥0.80	≥0.72
Biological Dynamic	Daytime	3500K	≥0.80	≥0.72
	Evening	3000K	≤0.49	≤0.44
Biological Tunable	Daytime	3500K	≥0.80	≥0.72
	Evening	2700K	≤0.47	≤0.42

DELIVERED MELANOPIC RATIO OF 40K8 BIOS

BIOS Type	Spectral Mode	Nominal CCT	Melanopic Ratio*	
			m-EER	m-DER
Biological Static	Daytime	4000K	≥0.90	≥0.81
Biological Dynamic	Daytime	4000K	≥0.90	≥0.81
	Evening	3500K	≤0.57	≤0.51
Biological Tunable	Daytime	4000K	≥0.90	≥0.81
	Evening	2700K	≤0.47	≤0.42

*Melanopic ratios are provided in two forms: (m-EER) which is calculated using the WELL v2 methodology and the corresponding CIE melanopic Daylight Equivalent Ratio, (m-DER).



www.kenall.com | P: 800-4-Kenall | F: 262-891-9700 | 10200 55th Street Kenosha, Wisconsin 53144, USA
 This product is able to comply with the latest domestic preference legislation, such as the Buy American Act (BAA), Trade Agreement Act (TAA), Build America, Buy America Act (BABA), and others. It may be covered by patents found at www.kenall.com/patents. Content of specification sheets is subject to change; please consult www.kenall.com for current product details. ©2025 Kenall Mfg. Co.

A brand of Legrand

MIGHTY MAC™

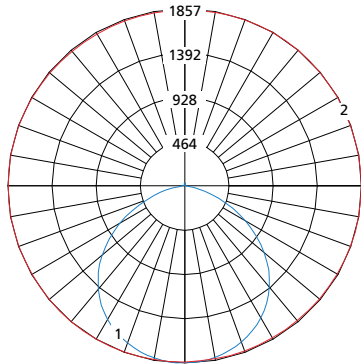
RMCD SERIES with BIOS SkyBlue™

PERFORMANCE

Model	Lamp Type	Initial Delivered Lumens		Input Power (W)	Drive Current (mA)	Estd. L ₇₀ LED Life (Hrs)
		Lumen Output (lm)	Efficacy (lm/W)			
RMCD-2	45B-35K8	3,221	84	46	100	80,000
	45B-40K8	3,498	87			
	67B-35K8	5,144	84	74	75	80,000
	67B-40K8	5,585	86			
RMCD-4	45B-35K8	3,591	94	46	100	80,000
	45B-40K8	3,899	97			
	67B-35K8	5,734	93	74	75	80,000
	67B-40K8	6,226	96			
	90B-35K8	7,081	89	97	100	80,000
	90B-40K8	7,689	91			

All products tested with the SYM/B lens configuration. Output with other lens configurations will vary. Information subject to change without notice. Visit www.kenall.com for additional information.

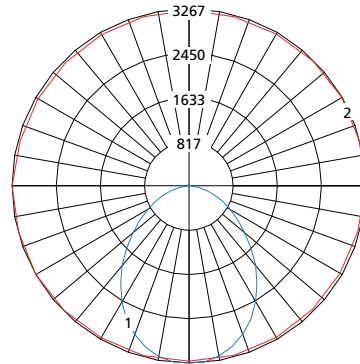
Model: RMCD-2-w-x-y-67B-35K8-DIM1-z-SYM/B-1



Maximum Candela = 1857 Located At Horizontal Angle = 230, Vertical Angle = 2.5

- 1 - Vertical Plane Through Horizontal Angles (230-50) (Through Max. Cd.)
- 2 - Horizontal Cone Through Vertical Angle (2.5) (Through Max. Cd.)

Model: RMCD-4-w-x-y-90B-35K8-DIM1-z-SYM/B-1



Maximum Candela = 3267 Located At Horizontal Angle = 210, Vertical Angle = 5

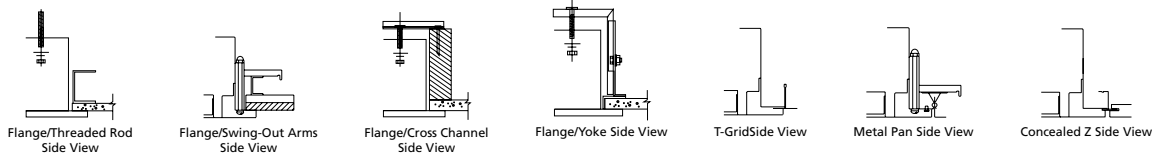
- 1 - Vertical Plane Through Horizontal Angles (210-30) (Through Max. Cd.)
- 2 - Horizontal Cone Through Vertical Angle (5) (Through Max. Cd.)



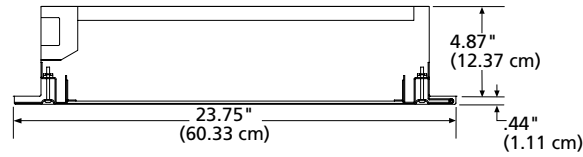
MIGHTY MAC™

RMCD SERIES with BIOS SkyBlue™

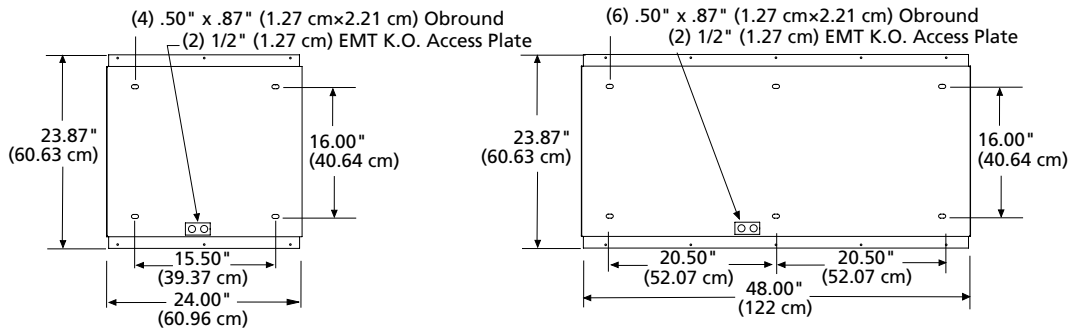
DIMENSIONAL DATA



CROSS SECTION



MOUNTING HOLES



RECOMMENDED CEILING CUTOUT: 24.25" x 22.44" (61.60 cm x 56.99 cm)

RECOMMENDED CEILING CUTOUT: 48.25" x 22.44" (122 cm x 56.99 cm)



www.kenall.com | P: 800-4-Kenall | F: 262-891-9700 | 10200 55th Street Kenosha, Wisconsin 53144, USA
This product is able to comply with the latest domestic preference legislation, such as the Buy American Act (BAA), Trade Agreement Act (TAA), Build America, Buy America Act (BABA), and others. It may be covered by patents found at www.kenall.com/patents. Content of specification sheets is subject to change; please consult www.kenall.com for current product details. ©2025 Kenall Mfg. Co.

A brand of Legrand