

ROUGH-HOUSE™

RHL720C SERIES

PRODUCT FEATURES:

- » Surface wall mount – 7"W×21"H×3"D
- » 18-gauge cold rolled steel housing
- » UV-Stabilized high impact polycarbonate lens
- » ADA Compliant
- » One year guarantee



PROJECT INFORMATION

Job Name _____

Fixture Type _____

Catalog Number _____

Approved by _____

SPECIFICATIONS

HOUSING: 18-gauge CRS. TGIC polyester powder coat finished – 5-step pre-treatment.

LENS: UV-stabilized, high impact pearlescent polycarbonate. Smooth exterior, linear prismatic interior. Nominal thickness .156". Lens locked in place with tamper-resistant stainless steel Torx® with center pin fasteners.

END CAPS/BAND: High impact resistant injection molded black or white polycarbonate.

ELECTRICAL: Available in 3500K, 4000K, and 5000K color temperatures, 80 CRI. 120-277VAC, 50/60Hz electrical input with high power factor electronic, constant-current driver (>.90 PF). Standard 0-10V dimming with 1-100% range; maximum driver source of 200 µA.

HARDWARE: Four stainless steel, tamper-resistant Torx® with center pin fasteners.

INSTALLATION: Standard four-point mounting required for One Year Guarantee. For surface conduit installation, end cap interior is provided with drill points for field drilling.

PHOTOMETRICS: Photometry tested to the IESNA LM-79-08 standard by an ILAC/ISO17025 accredited laboratory. For additional photometric data, please go to www.kenall.com.

WARRANTY: Limited five (5) year LED warranty

LISTINGS: Luminaire is certified to UL Standards by Intertek Testing Laboratory for Damp Location. ADA compliant.



ORDERING INFORMATION (Ex: RHL720C-MW-PP-20L40K-DV)

Model	Finish	Lens Type	Lamp Type	Voltage	Options
RHL720C				DV	
	Finish	Lens		Voltage	
	MW Matte White	PIA Pearlescent High Impact Acrylic		DV 120-277 Volts	
	MB Matte Black	PP Pearlescent Polycarbonate		Options	
		Lamp Type		FS Single Fuse & Holder	
		10L35K 10 Watt 3500K LED		PH Phillips Head Lens Retention Screw	
		10L40K 10 Watt 4000K LED			
		10L50K 10 Watt 5000K LED			
		20L35K 20 Watt 3500K LED			
		20L40K 20 Watt 4000K LED			
		20L50K 20 Watt 5000K LED			



www.kenall.com | P: 800-4-Kenall | F: 262-891-9701 | 10200 55th Street Kenosha, Wisconsin 53144, USA

This product complies with the Buy American Act: manufactured in the United States with more than 50% of the component cost of US origin. It may be covered by patents found at www.kenall.com/patents. Content of specification sheets is subject to change; please consult www.kenall.com for current product details. ©2019 Kenall Mfg. Co.

A brand of Legrand

ROUGH-HOUSE™

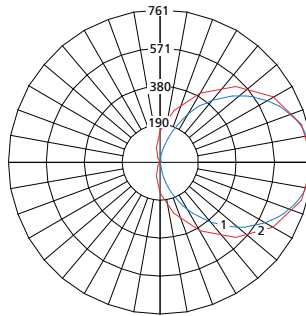
RHL720C SERIES

PERFORMANCE

Lamp Type	Initial Delivered Lumens		Input Power (W)	Drive Current (mA)	Estd. L70 LED Life (Hrs)
	@ 25°C	Efficacy (lm/W)			
10L35K	1260	99	13	47	85,000
10L40K	1260	99	13	47	85,000
10L50K	1373	108	13	47	85,000
20L35K	2432	105	23	47	65,000
20L40K	2432	105	23	47	65,000
20L50K	2651	114	23	47	65,000

Information subject to change. Visit www.kenall.com for IES files and additional information.

Model: RHL720C-MW-PP-20L40K-DV

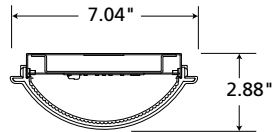


Max Candela = 761 Located At Horizontal Angle = 0, Vertical Angle = 90

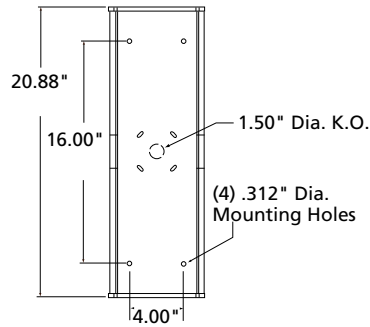
- 1 - Vertical Plane Through Horizontal Angles (0-180) (Through Max. Cd.)
- 2 - Horizontal Cone Through Vertical Angle (90) (Through Max. Cd.)

DIMENSIONAL DATA

CROSS SECTION



MOUNTING HOLES



www.kenall.com | P: 800-4-Kenall | F: 262-891-9701 | 10200 55th Street Kenosha, Wisconsin 53144, USA

This product complies with the Buy American Act: manufactured in the United States with more than 50% of the component cost of US origin. It may be covered by patents found at www.kenall.com/patents. Content of specification sheets is subject to change; please consult www.kenall.com for current product details. ©2019 Kenall Mfg. Co.

A brand of Legrand