

# MIGHTY MAC™

## RFW SERIES

### PRODUCT FEATURES:

- » Recessed wall mount – 6"×9"
- » TIG welded housing with no post grinding for additional strength
- » Die-formed 14-gauge prime grade material



### PROJECT INFORMATION

Job Name \_\_\_\_\_

Fixture Type \_\_\_\_\_

Catalog Number \_\_\_\_\_

Approved by \_\_\_\_\_

### SPECIFICATIONS

**HOUSING:** Die-formed 14-gauge prime grade material. Corners continuously seam welded and smooth with no post grinding (TIG).

**LENS:** As specified – maximum thickness .50" – see ordering information. Kenall recommends a prismatic inner lens and a clear outer lens. Two clear lenses used in combination cannot be provided.

**LENS RETENTION:** Vertically adjustable continuous "L" brackets – prime grade material. Secured to housing via thru-studs.

**DOOR:** One-piece die-formed 14-gauge prime grade material as specified – see ordering information. Corners continuously seam welded and smooth with no post grinding (TIG).

**FASTENERS:** Hardened security screws as specified – see ordering information. Fully recessed.

**FINISH:** TGIC polyester powder coat – 5-stage pre-treatment. Salt spray test: 1,000 hours; Reflectance: 92%.

**ELECTRICAL:** 120 or 277 voltage AC input. Input power .50 watts.

**LUMINOUS SEAL:** Polyurethane foam prevents light leaks from luminaire base.

**PHOTOMETRICS:** Photometry tested to the IESNA LM-79-08 standard by an ILAC/ISO17025 accredited laboratory. For additional photometric data, please go to [www.kenall.com](http://www.kenall.com).

**LISTINGS:** UL and CUL listed for Damp Locations.



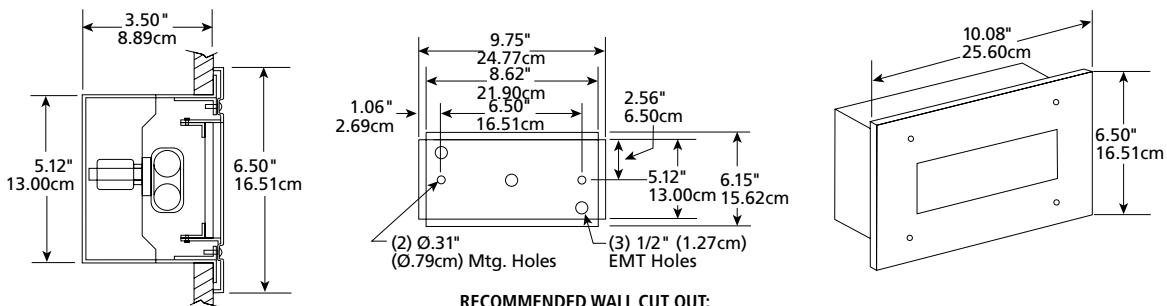
### ORDERING INFORMATION (Ex: RFW-A-0/0-1-WLL-120-1/B-1)

Model	Size	Housing/Door	Lamp Qty	Lamp Type	Ballast Type	Ballast Qty	Voltage	Lens (Inner/Outer)	Fasteners	Options
<b>RFW</b>			<b>1</b>					<b>/</b>		
<b>Nominal Size</b>		<b>Lamp Type</b>		<b>Lens (Inner/Outer)‡</b>		<b>Fasteners</b>				
A	6"×9"	<b>WLL</b>	4000K White Low Lumen LED	<b>0</b>	No Lens	<b>1</b>	Tox® Head w/ Center Pin			
<b>Housing/Door Material</b>		<b>RLL</b>	Red LED	<b>2</b>	.125" Prismatic Acrylic	<b>2</b>	Allen Head w/ Center Pin			
0	14-Ga CRS (Painted White)	<b>BLL</b>	Blue LED	<b>3</b>	.125" Prismatic Polycarbonate	<b>3</b>				
<b>Lamp Quantity</b>		<b>ALL</b>	Amber LED	<b>G</b>	.125" Textured Polycarbonate	<b>4</b>				
1	One	<b>Voltage</b>		<b>6</b>	.125" Clear Polycarbonate	<b>4</b>				
		<b>120</b>	120 Volts	<b>7</b>	.156" Prismatic Polycarbonate	<b>6</b>				
		<b>277</b>	277 Volts	<b>8</b>	.187" Prismatic Polycarbonate	<b>6</b>				
				<b>TG</b>	.125" Textured Tempered Glass	<b>7</b>				
				<b>9</b>	.187" Prismatic Polycarbonate	<b>8</b>				
				<b>A</b>	.250" Clear Polycarbonate	<b>9</b>				
				<b>B</b>	.250" Clear Tempered Glass	<b>A</b>				
				<b>C</b>	.375" Clear Polycarbonate	<b>B</b>				
					.375" Clear Tempered Glass	<b>C</b>				

**Options**  
**AMF** Antimicrobial Paint Finish  
**FS** Single Fuse & Holder

‡ Refer to lens specifications

### DIMENSIONAL DATA



[www.kenall.com](http://www.kenall.com) | P: 800-4-Kenall | F: 262-891-9701 | 10200 55th Street Kenosha, Wisconsin 53144, USA

A brand of **legrand**

This product complies with the Buy American Act: manufactured in the United States with more than 50% of the component cost of US origin. It may be covered by patents found at [www.kenall.com/patents](http://www.kenall.com/patents). Content of specification sheets is subject to change; please consult [www.kenall.com](http://www.kenall.com) for current product details. ©2019 Kenall Mfg. Co.