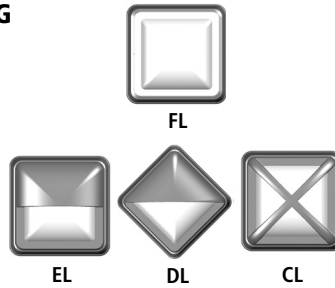


MILLENIUM™ SQUARE

MS11 SERIES – LOW PROFILE HOUSING

PRODUCT FEATURES:

- » Surface mount – ceiling (FL & CL only) or wall mount;
12"W×12"W×4"D (CL, EL, FL)
15"W×15"W×4"D (DL)
- » Peace of Mind Guarantee®
- » Dust and water protected to IP64 standards
- » ADA compliant



PROJECT INFORMATION

Job Name _____

Fixture Type _____

Catalog Number _____

Approved by _____

SPECIFICATIONS

BASEPLATE: Marine grade die-cast aluminum. Integral heat sinks. Baseplate flange interlocks and wraps around lens base producing maximum moisture deflection and resistance to prying. Baseplate provided with four-point mounting holes and one wireway hole. Standard matte black, dark bronze or matte white exterior TGIC polyester powder coat – 5-step pre-treatment. See Ordering Information for optional finishes.

REFLECTOR: Full reflector/wire cover – 92% reflectivity.

LENS: UV-stabilized, high impact resistant, virgin injection molded polycarbonate. High efficiency blondel fluted lens maximizes uniformity. Lens secured with four concealed captive Torx® with center pin fasteners. Exclusive water channeling lens design provides 360° ingress protection.

LENS BASE/GRILLE: High impact resistant, injection molded matte black, dark bronze or matte white polycarbonate. Optional Light Gray, Silver, Forest Green or Custom Color (see Ordering Information below) are chemically bonded, impact resistant finishes.

GASKETING: Die-cut, closed cell EPDM self adhesive gasket seals baseplate to mounting surface. Closed cell, silicone "O" ring gaskets positioned and friction secured in gasket channels of lens base, baseplate and optional surface adapter.

HARDWARE: Four stainless steel Torx® fasteners.

ELECTRICAL: Available in 3500K, 4000K, and 5000K color temperatures, 80 CRI. 120-277VAC, 50/60Hz electrical input with high power factor electronic, constant-current driver (>.90 PF). Standard 0-10V dimming with 1-100% range; maximum driver source of 200 µA.

PHOTOMETRICS: Photometry tested to the IESNA LM-79-08 standard by an ILAC/ISO17025 accredited laboratory. For additional photometric information, go to www.kenall.com.

WARRANTY: Limited five (5) year LED warranty. Peace of Mind Guarantee against breakage.

LISTINGS: Luminaire is certified to UL Standards by either Underwriters Laboratory or Intertek Testing Laboratory for Wet Location (listing includes Emergency Battery Pack "EL" option). UL certified IP64 per IEC 60598. ADA Compliant.



ORDERING INFORMATION (Ex: MS11DL-PP-MW-20L40K-DV)

Model	Lens Type	Finish	Lamp Type	Voltage	Options	Accessories
PP						
Model			Lamp Type		Options	
MS11CL	Crossbar		10L35K 10 Watt 3500K LED		LEL-SA* LED Emergency Battery Backup with Die-cast Surface Adapter (SA) - Non ADA (n/a with 347V)	
MS11DL	Diamond Eyelid		10L40K 10 Watt 4000K LED		BPC-SA* Photo Control – Shielded Button Type with Die-cast Surface Adapter (SA) - Non ADA (120V or 277V only)	
MS11EL	Eyelid		10L50K 10 Watt 5000K LED		FS Single Fuse & Holder	
MS11FL	Full Face		20L35K 20 Watt 3500K LED		NAT Natatorium Environment Option	
Lens Type			Voltage		Accessories	
PP	Pearlescent Polycarbonate		120 120 Volts		SA Die-Cast Surface Adapter (Non ADA)	
Finish			277 277 Volts		9500 Torx® Screwdriver	
DB	Dark Bronze		347† 347 Volts			
FG	Forest Green		DV† 120-277 Volts			
LG	Light Gray					
MB	Matte Black					
MW	Matte White					
SL	Silver					
CC	Custom Color (Consult factory)					



www.kenall.com | P: 800-4-Kenall | F: 262-891-9701 | 10200 55th Street Kenosha, Wisconsin 53144, USA

This product complies with the Buy American Act: manufactured in the United States with more than 50% of the component cost of US origin. It may be covered by patents found at www.kenall.com/patents. Content of specification sheets is subject to change; please consult www.kenall.com for current product details. ©2019 Kenall Mfg. Co.

A brand of Legrand

MILLENIUM™ SQUARE

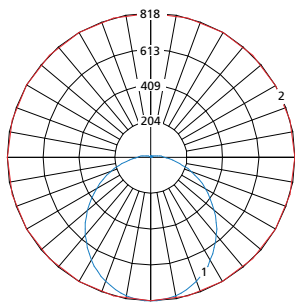
MS11 SERIES – LOW PROFILE HOUSING

PERFORMANCE

Model	Lamp Type	Initial Delivered Lumens		Input Power (W)	Drive Current (mA)	Estd. L70 LED Life (hrs)
		@ 25°C (lm)	Efficacy (lm/W)			
MS11FL	10L35K	1,307	102	13	94	130,000
	10L40K	1,307	102	13	94	130,000
	10L50K	1,425	111	13	94	130,000
	20L35K	2,523	106	24	94	130,000
	20L40K	2,523	106	24	94	130,000
	20L50K	2,750	116	24	94	130,000
MS11CL	10L35K	1,050	82	13	94	130,000
	10L40K	1,050	82	13	94	130,000
	10L50K	1,144	89	13	94	130,000
	20L35K	2,026	85	24	94	130,000
	20L40K	2,026	85	24	94	130,000
	20L50K	2,208	93	24	94	130,000
MS11DL	10L35K	1,070	84	13	54	130,000
	10L40K	1,070	84	13	54	130,000
	10L50K	1,167	91	13	54	130,000
	20L35K	2,067	87	24	94	130,000
	20L40K	2,067	87	24	94	130,000
	20L50K	2,253	95	24	94	130,000
MS11EL	10L35K	1,023	80	13	94	130,000
	10L40K	1,023	80	13	94	130,000
	10L50K	1,116	87	13	94	130,000
	20L35K	1,975	83	24	94	130,000
	20L40K	1,975	83	24	94	130,000
	20L50K	2,153	91	24	94	130,000

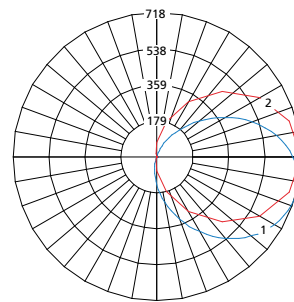
Info subject to change. Visit www.kenall.com for IES files and additional information.

Model: MS11FL-PP-MW-20L40K-DCC-DV



Max Candela = 818 Located At Horizontal Angle = 0, Vertical Angle = 0
 1 - Vertical Plane Through Horizontal Angles (0-180) (Through Max. Cd.)
 2 - Horizontal Cone Through Vertical Angle (0) (Through Max. Cd.)

Model: MS11EL-PP-MW-20L40K-DCC-DV



Max Candela = 718 Located At Horizontal Angle = 0, Vertical Angle = 65
 1 - Vertical Plane Through Horizontal Angles (0-180) (Through Max. Cd.)
 2 - Horizontal Cone Through Vertical Angle (65) (Through Max. Cd.)



www.kenall.com | P: 800-4-Kenall | F: 262-891-9701 | 10200 55th Street Kenosha, Wisconsin 53144, USA

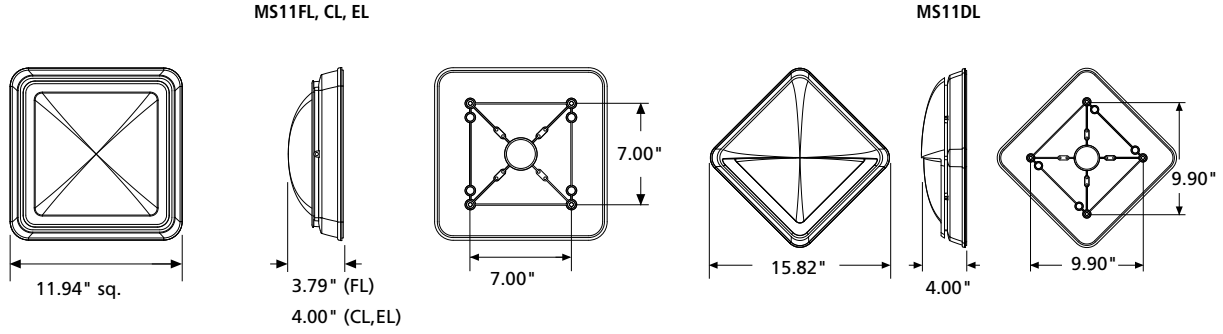
This product complies with the Buy American Act: manufactured in the United States with more than 50% of the component cost of US origin. It may be covered by patents found at www.kenall.com/patents. Content of specification sheets is subject to change; please consult www.kenall.com for current product details. ©2019 Kenall Mfg. Co.

A brand of **legrand**

MILLENNIUM™ SQUARE

MS11 SERIES – LOW PROFILE HOUSING

DIMENSIONAL DATA



SURFACE ADAPTER SIDE & BACK VIEW

