

# MEDMASTER® MEDSLOT™

## Luminaires for Patient Rooms

### MRS4 SERIES – Tunable White LED

#### PRODUCT FEATURES:

- » 4" recessed linear slot luminaire in multiple lengths
- » Single-function luminaire provides ambient lighting within the patient room
- » High-output, high-CRI LED lamp source with 2700K-6500K white tuning capability
- » Symmetric optical distribution type
- » No visible room-side fasteners for clean aesthetic



#### PROJECT INFORMATION

Job Name \_\_\_\_\_

Fixture Type \_\_\_\_\_

Catalog Number \_\_\_\_\_

Approved by \_\_\_\_\_

#### SPECIFICATIONS

**HOUSING:** Extruded 6063-T5 aluminum construction with gasketed aluminum endcaps. Low-gloss anti-microbial white TGIC polyester powder-coat finish with five-stage pre-treatment.

**OPTIC:** Symmetric (Lambertian) distribution option. Snap-in, one-piece extruded frost DR acrylic diffuser.

**LED MODULE:** Serviceable tunable-white, mid-power LED array provides 2700K through 6500K CCT range with a two-point path. Minimum 82 CRI standard (R9 >20) with optional minimum 90 CRI (R9 >50).

**DRIVER:** 120-277VAC, 50/60Hz electrical input (PF ≥ 0.9, THD < 20%). Minimum 85% electrical efficiency. Serviceable, constant-current multi-channel programmable driver with dual analog (0-10V) control inputs for intensity and CCT. Linear intensity and CCT adjustment profiles with 1-100% range and dim-to-dark capabilities on intensity. Optional DALI (Type 8) driver with 1-100% range and dim-to-dark intensity dimming with linear intensity and CCT adjustment profiles.

**INSTALLATION:** Suitable for Insulation Contact (IC) recessed ceiling installation into 9/16" and 15/16" lay-in and tegular grid ceilings, flanged drywall ceilings and trimless mud-in installations with 5/8" drywall. See Ordering Information for selection. Sealed hub provided for 1/2" threaded conduit supply. Suitable for 0°C - 40°C ambient temperature environments.

**PHOTOMETRICS:** Photometry tested to the IESNA LM-79-08 standard by an ILAC/ISO17025 accredited laboratory. For detailed photometric information, please visit [www.kenall.com](http://www.kenall.com).

**WARRANTY:** Limited five (5) year warranty.

**LISTINGS:** Luminaire is certified to UL standards by Intertek Testing Laboratories for Type-IC and Wet Location installations. IP64 rating per IEC60598. NSF2 Splash/Non-Food Zone rated. Standard CCEA compliance.



#### ORDERING INFORMATION (Ex: MRS4-48-FL-SYM-1200LFT-27/65K9-ATW-DV-LVCD)

Model	Length	Ceiling Configuration	Optical Distribution	Lumen Output	Lamp Color	Driver Type	Voltage	Options
<b>MRS4</b>							<b>DV</b>	
<b>Nominal Length</b>		<b>Optical Distribution</b>		<b>Driver Type</b>				
24*	2'	<b>SYM</b> Symmetric		<b>ATW</b> Analog (0-10V) Dimming Tunable White Driver				
36	3'			<b>DTW</b> DALI Tunable White Driver				
48	4'							
96	8'							
<b>Ceiling Configuration</b>				<b>Input Voltage</b>				
<b>G</b>	9/16" and 15/16" Lay-In Grid			<b>DV</b> 120-277VAC, 50/60Hz				
<b>TG</b>	9/16" and 15/16" Tegular Grid							
<b>FL</b>	Flange							
<b>TM</b>	Trimless Mud-In for 5/8" Drywall							
		<b>Lumen Output</b>		<b>Options</b>				
		<b>500LFT</b> 500 lumens/ft		<b>LEL</b> Integral Emergency Battery Backup with Remote Test Button				
		<b>750LFT</b> 750 lumens/ft		<b>LVC</b> Low Voltage Controller (click <a href="#">here</a> for specifications)				
		<b>1200LFT</b> 1200 lumens/ft		<b>LVCD▲</b> Low Voltage Controller with Dimming (click <a href="#">here</a> for specifications)				
		<b>Lamp Color</b>		<b>FS</b> Fuse & Holder				
		<b>27/65K8</b> 2700K-6500K CCT Range (82 CRI min.)						
		<b>27/65K9</b> 2700K-6500K CCT Range (92 CRI min.)						

\* 24" model available only with 1200LFT Lumen Output

▲ Low voltage controller wired to provide ON/OFF and smooth dimming control via compatible wall/bed controls. CCT adjustment controlled separately. ATW Driver Type only.

#### ACCESSORIES ORDERED SEPARATELY

**MPWS** Low Voltage Wall Switch (Click [here](#) for Specifications)



[www.kenall.com](http://www.kenall.com)

P: 800-4-Kenall

F: 262-891-9701

10200 55th Street Kenosha, Wisconsin 53144

When you see this image, you will know the Kenall product shown or described is designed and manufactured in the USA with components purchased from US suppliers, and meets the Buy American requirements under the ARRA. Kenall has not determined the origin of its domestically purchased components or the subcomponents thereof. May be covered by patents found at [www.kenall.com/patents](http://www.kenall.com/patents). Content of specification sheets is subject to change; please consult [www.kenall.com](http://www.kenall.com) for current product details. © 2019 Kenall Mfg. Co. All rights reserved.

MRS4-TW-040119

# MEDMASTER® MEDSLOT™

Luminaires for Patient/Exam Rooms

## MRS4 SERIES – Tunable White LED

### PERFORMANCE

Delivered Lumens at 4000K Tuning, by Lamp Color (lm/ft)

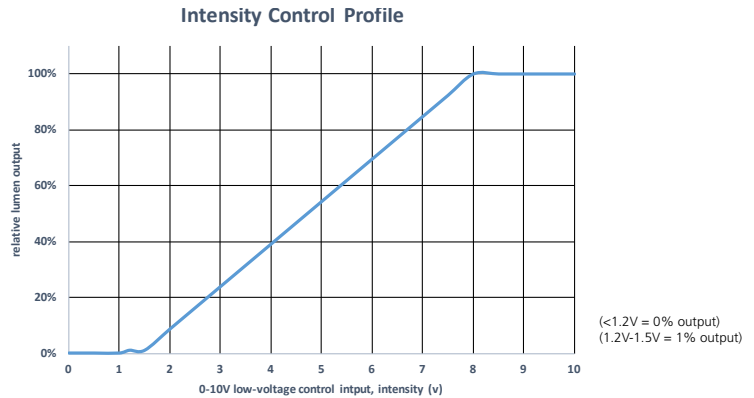
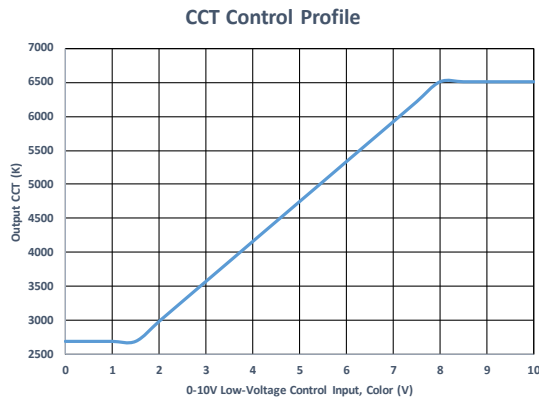
Distribution Type	Nominal Lumen Output	27/65K8	27/65K9	Efficacy (lm/W)	Unit Input Power (W/ft)	Estd. L70 LED Life (Hrs)
SYM	500LFT	518	417	98 - 122	4	85,000
	750LFT	779	628	98 - 122	6	85,000
	1200LFT	1,248	1,006	92 - 114	11	85,000

Nominal Lumen Output values based on 27/65K8 lamp color. Information subject to change without notice. Visit [www.kenall.com](http://www.kenall.com) for IES files and additional information.

### PERFORMANCE SCALING, BY LAMP COLOR

CCT (K)	27/65K8					27/65K9				
	LUMEN SCALE FACTOR	Ra	R9	Rf	Rg	LUMEN SCALE FACTOR	Ra	R9	Rf	Rg
2700	0.97	83	10	83	97	0.98	92	57	89	98
3000	0.98	84	15	83	98	0.99	94	70	91	99
3500	0.99	86	23	84	98	0.99	95	77	92	99
4000	1.00	86	26	84	98	1.00	96	83	92	99
4600	1.01	86	28	84	98	1.01	96	90	92	100
5000	1.01	86	25	83	98	1.03	96	96	91	101
5700	1.02	85	23	82	98	1.02	96	96	91	100
6500	1.04	84	16	82	96	1.02	96	96	90	100

### CCT AND INTENSITY ADJUSTMENT PROFILE - ATW DRIVER TYPE



NOTE: The provided information is the typical expected performance of a single luminaire. Additional luminaires on the same 0-10V line may result in different control profiles. Fine tuning of system performance should be completed after installation is complete. To avoid CCT shift between luminaires, care should be taken to minimize voltage drop on the CCT Control line. It is recommended to limit the load on the CCT control circuit to twenty (20) luminaires or less.



[www.kenall.com](http://www.kenall.com)

P: 800-4-Kenall

F: 262-891-9701

10200 55th Street Kenosha, Wisconsin 53144

When you see this image, you will know the Kenall product shown or described is designed and manufactured in the USA with components purchased from US suppliers, and meets the Buy American requirements under the ARRA. Kenall has not determined the origin of its domestically purchased components or the subcomponents thereof. May be covered by patents found at [www.kenall.com/patents](http://www.kenall.com/patents). Content of specification sheets is subject to change; please consult [www.kenall.com](http://www.kenall.com) for current product details. © 2019 Kenall Mfg. Co. All rights reserved.

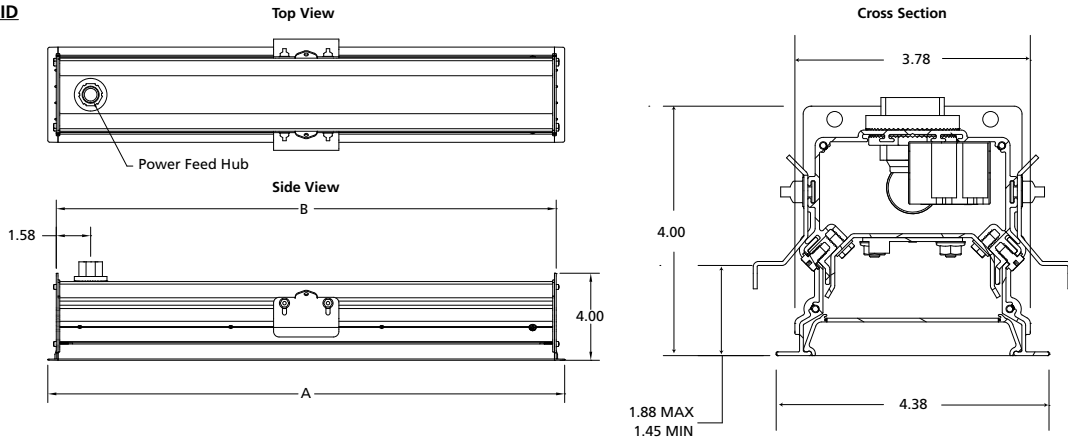
# MEDMASTER® MEDSLOT™

Luminaires for Patient/Exam Rooms

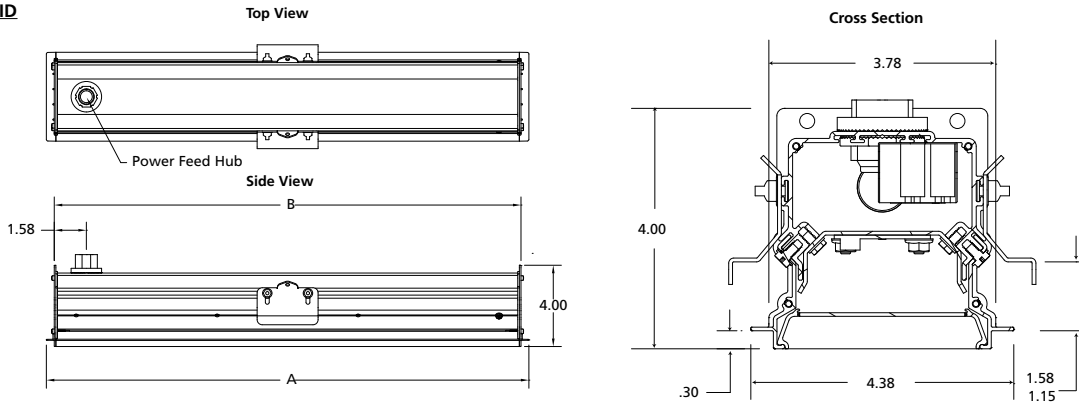
## MRS4 SERIES – Tunable White LED

### DIMENSIONAL DATA

#### LAY-IN GRID



#### TEGULAR GRID



Nominal Length	Ceiling Configuration	A	B
24	LAY-IN GRID	23.75"	22.97"
	TEGULAR	23.75"	22.97"
36	LAY-IN GRID	35.75"	34.97"
	TEGULAR	35.75"	34.97"
48	LAY-IN GRID	47.75"	46.97"
	TEGULAR	47.75"	46.97"
96	LAY-IN GRID	95.75"	94.97"
	TEGULAR	95.75"	94.97"



www.kenall.com

P: 800-4-Kenall

F: 262-891-9701

10200 55th Street Kenosha, Wisconsin 53144

When you see this image, you will know the Kenall product shown or described is designed and manufactured in the USA with components purchased from US suppliers, and meets the Buy American requirements under the ARRA. Kenall has not determined the origin of its domestically purchased components or the subcomponents thereof. May be covered by patents found at www.kenall.com/patents. Content of specification sheets is subject to change; please consult www.kenall.com for current product details. © 2019 Kenall Mfg. Co. All rights reserved.

MRS4-TW-040119

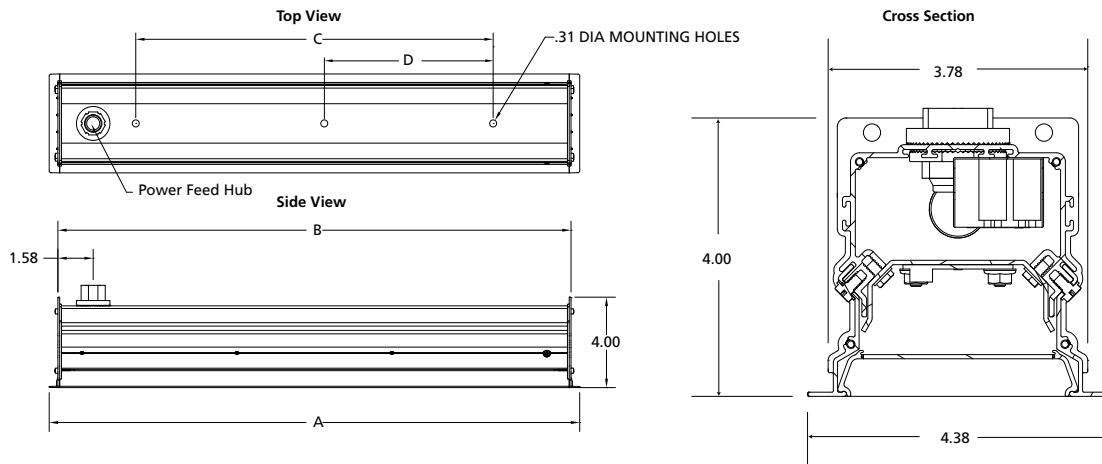
# MEDMASTER® MEDSLOT™

## Luminaires for Patient/Exam Rooms

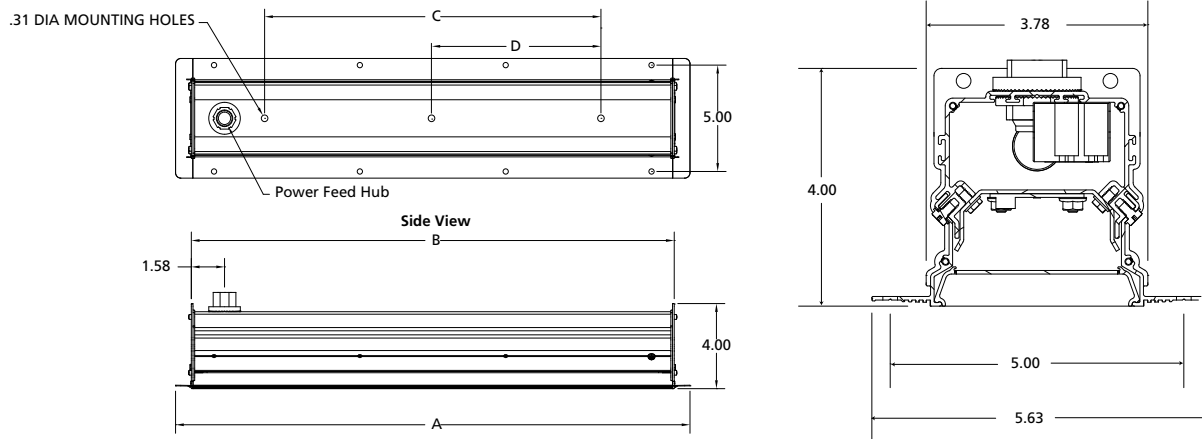
### MRS4 SERIES – Tunable White LED

#### DIMENSIONAL DATA

##### FLANGE



##### TRIMLESS MUD-IN



Nominal Length	Ceiling Configuration	A	B	C	D	Ceiling Cut-Out
24	FLANGE	23.75"	22.97"	16.00"	----	3.875" x 23.25"
	TRIMLESS	24.47"	22.97"	16.00"	----	
36	FLANGE	35.75"	34.97"	28.00"	----	3.875" x 35.25"
	TRIMLESS	36.47"	34.97"	28.00"	----	
48	FLANGE	47.75"	46.97"	40.00"	----	3.875" x 47.25"
	TRIMLESS	48.47"	46.97"	40.00"	----	
96	FLANGE	95.75"	94.97"	44.00"	22.00"	3.875" x 95.25"
	TRIMLESS	96.47"	94.97"	44.00"	22.00"	



www.kenall.com

P: 800-4-Kenall

F: 262-891-9701

10200 55th Street Kenosha, Wisconsin 53144

When you see this image, you will know the Kenall product shown or described is designed and manufactured in the USA with components purchased from US suppliers, and meets the Buy American requirements under the ARRA. Kenall has not determined the origin of its domestically purchased components or the subcomponents thereof. May be covered by patents found at www.kenall.com/patents. Content of specification sheets is subject to change; please consult www.kenall.com for current product details. © 2019 Kenall Mfg. Co. All rights reserved.