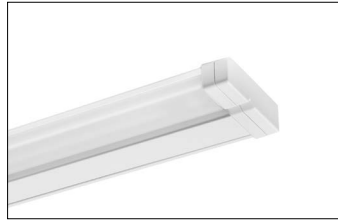


# STRATALUME CONNECTS™

## MRIAUC SERIES

### PRODUCT FEATURES:

- » Surface mount – solid front; 1.5' or 3' lengths
- » Non-ferrous construction
- » External mounting feet allow for easy installation
- » Antimicrobial finish and NSF2 listing for cleanliness



### PROJECT INFORMATION

Job Name \_\_\_\_\_

Fixture Type \_\_\_\_\_

Catalog Number \_\_\_\_\_

Approved by \_\_\_\_\_

### SPECIFICATIONS

**HOUSING:** Non-ferrous extruded marine-grade aluminum. Nominal thickness: .060". Antimicrobial finish standard on housing and driver cover.

**LENS:** UV-stabilized, high-impact resistant, extruded frost 100% DR acrylic. Smooth exterior, linear prism interior. Snap-in tool-less entry design.

**END CAPS/COVERS:** UV-stabilized, high-impact resistant, injection-molded white or black opaque polycarbonate. Black end caps/covers provided when silver finish (SL) is ordered. Light leak-preventing interlocking design.

**ELECTRICAL:** Serviceable high-brightness LED array. See Ordering Information for available color temperature options. Five-step MacAdam variation allowance. 80 CRI minimum. Luminaire input 24VDC from remote-located 120-277VAC, high-power-factor power supply with EMI filter. Dimming line EMI filter required if utilizing dimming function. Dimming capability controlled through compatible 0-10V dimmer (supplied by others). MRI room EMI filter required for both 24V and dimming line (supplied by others). See below for ordering information.

**HARDWARE:** Non-ferrous hardware and internal bracketing.

**GASKET:** Closed-cell extruded EPDM gasket seals lens to end caps.

**INSTALLATION:** All power and signal wiring must be completely shielded in grounded conduit. External mounting feet allow installation without accessing internal compartments. Four-point mounting required. 3/8" conduit fitting supplied.

**PHOTOMETRICS:** Photometry tested to the IESNA LM-79-08 standard by an ILAC/ISO17025 accredited laboratory. For photometric information, go to [www.kenall.com](http://www.kenall.com).

**WARRANTY:** Limited five (5) year LED warranty.

**LISTINGS:** Luminaire is certified to UL1598 and UL8750 standards by Intertek Testing Services for Damp Location. NSF2 Splash/Non-Food Zone.



### ORDERING INFORMATION (Ex: MRUAUC-I-MW-14L40K-24VDC)

Model	Installation Type	Finish	Lamp Type	Voltage	Options
<b>MRIAUC</b>	<b>I</b>			<b>24VDC</b>	
	<b>Installation Type</b>		<b>Lamp Type</b>	<b>Voltage</b>	
	<b>I</b> Individual Mount		<b>18.5" Length</b>	<b>24VDC</b> 24 Volts DC	
	<b>Finish</b>		<b>14L30K</b> 14 Watt 3000K LED, 80 CRI	<b>Options</b>	
	<b>MW</b> Matte White		<b>14L35K</b> 14 Watt 3500K LED, 80 CRI	<b>SW</b> Rocker Switch	
	<b>MB</b> Matte Black		<b>14L40K</b> 14 Watt 4000K LED, 80 CRI		
	<b>SL</b> Silver		<b>35" Length</b>		
	<b>CCW</b> Custom Color Housing with White end caps		<b>27L30K</b> 27 Watt 3000K LED, 80 CRI		
	<b>CCB</b> Custom Color Housing with Black end caps		<b>27L35K</b> 27 Watt 3500K LED, 80 CRI		
			<b>27L40K</b> 27 Watt 4000K LED, 80 CRI		

#### ACCESSORIES ORDERED SEPARATELY

- MRIPSF-480** Remote Power Supply with EMI Filter ([click here](#) for specifications)
- MRIFD-1A** Dimming Filter (one per dimming circuit, [click here](#) for specifications)

#### MRI LUMINAIRE CONNECTION PER POWER SUPPLY

Lamp Power	Amps/ Luminaire	Max. Luminaires/ Power Supply/per room
14L	0.76	26
27L	1.52	13



[www.kenall.com](http://www.kenall.com) | P: 800-4-Kenall | F: 262-891-9701 | 10200 55th Street Kenosha, Wisconsin 53144, USA

This product complies with the Buy American Act: manufactured in the United States with more than 50% of the component cost of US origin. It may be covered by patents found at [www.kenall.com/patents](http://www.kenall.com/patents). Content of specification sheets is subject to change; please consult [www.kenall.com](http://www.kenall.com) for current product details. ©2019 Kenall Mfg. Co.

A brand of **legrand**

# STRATALUME CONNECTS™

## MRIAUC SERIES

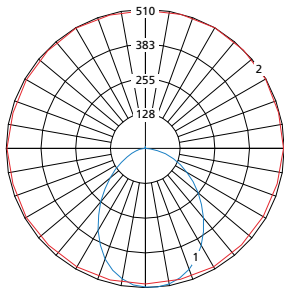
### PERFORMANCE

Nominal Length	Lamp Type	Initial Delivered Lumens		Input Power (W)	Drive Current (mA)	Estd. L70 LED Life (Hrs)
		@ 25°C	Efficacy (lm/W)			
18.5"	14L30K	1,072	70	15	117	80,000
	14L35K	1,141	74	15	117	80,000
	14L40K	1,141	74	15	117	80,000
35"	27L30K	2,147	71	30	117	80,000
	27L35K	2,286	75	30	117	80,000
	27L40K	2,286	75	30	117	80,000

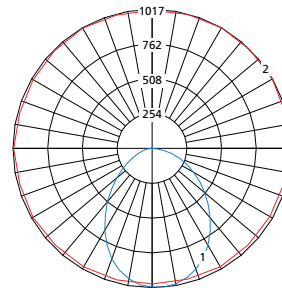
Product tested with MW Finish Type. Information subject to change without notice. Visit [www.kenall.com](http://www.kenall.com) for IES files and additional information.

Model: MR1AUC-I-MW-14L35K-24VDC

Model: MR1AUC-I-MW-27L40K-24VDC

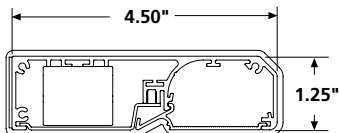


Max Candela = 510 Located At Horizontal Angle = 60, Vertical Angle = 5  
 — 1 - Vertical Plane Through Horizontal Angles (60-240) (Through Max. Cd.)  
 — 2 - Horizontal Cone Through Vertical Angle (5) (Through Max. Cd.)



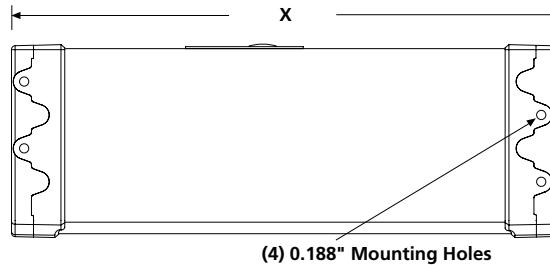
Max Candela = 1017 Located At Horizontal Angle = 15, Vertical Angle = 5  
 — 1 - Vertical Plane Through Horizontal Angles (15-195) (Through Max. Cd.)  
 — 2 - Horizontal Cone Through Vertical Angle (5) (Through Max. Cd.)

### DIMENSIONAL DATA



#### LENGTH DIMENSION – MR1AUC SERIES

LAMP	in (mm)
14W LED	18.50 (470)
27W LED	35.00 (889)



## MRIAUC SERIES

## IMPORTANT SAFEGUARDS

When using electrical equipment, basic safety precautions should always be followed, including the following:

THIS PRODUCT MUST BE INSTALLED IN ACCORDANCE WITH THE APPLICABLE INSTALLATION CODE BY A PERSON FAMILIAR WITH THE CONSTRUCTION AND OPERATION OF THE PRODUCT AND THE HAZARDS INVOLVED. DISCONNECT POWER TO ALL CIRCUITS BEFORE WIRING FIXTURE. INSTALL IN ACCORDANCE WITH ALL NATIONAL, STATE, AND LOCAL CODES. DO NOT CONNECT TO AN UNGROUNDED SUPPLY. READ ALL FIXTURE MARKINGS AND LABELS TO ENSURE CORRECT INSTALLATION OF FIXTURE. SUPPLEMENTAL INSTRUCTIONS MAY BE LOCATED ON THE FIXTURE, IN ADDITION TO THIS INSTRUCTION SHEET, REGARDING ORIENTATION, OR MOUNTING RESTRICTIONS.

## SAVE THESE INSTRUCTIONS

## INSTALLATION INSTRUCTIONS

This instruction sheet applies for the Stratalume™ Connects™ MRI undercabinet product. A separate instruction sheet is provided in the MRIPSF-480 external power supply system. Both sheets are intended to provide comprehensive instructions on fixture installation and wiring. This product contains sensitive electronics. Take care to avoid damage by improper handling or static electricity discharge (ESD). Either type of damage could render the system inoperable or cause latent failure.

The hardware bag contains the following non-ferrous hardware:

- (A) - One 3/8" connector clamp
- (B) - One 3/8" conduit fitting
- (C) - One connector nut
- (D) - Two 8-32 × 3/4" screws
- (E) - One 8-32 × 3/16" screws
- (F) - Four #8 × 1/2" mounting screws

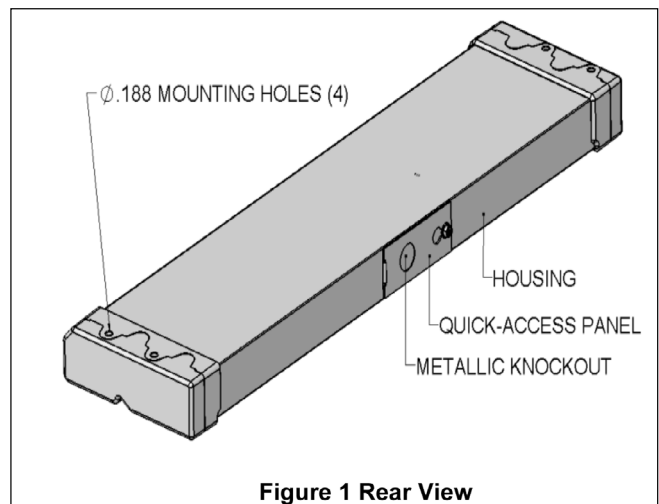


Figure 1 Rear View

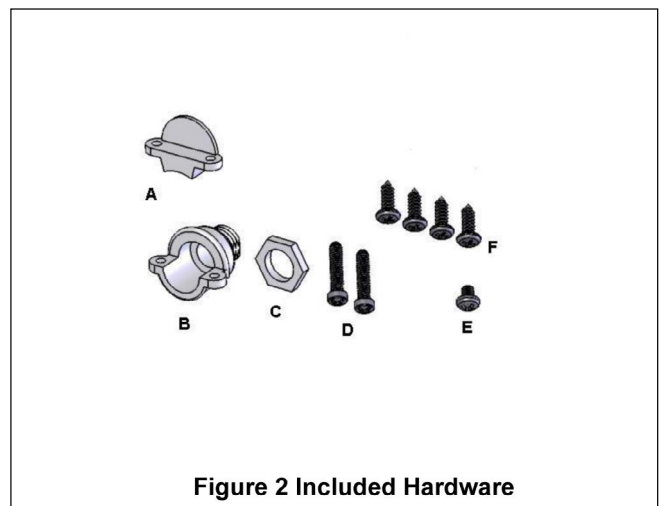


Figure 2 Included Hardware



### Luminaire Mounting Procedure

Before beginning, make sure all components have been unpacked from the shipping carton.

1. Determine where fixture(s) will be mounted.
2. When fixture is positioned correctly, secure fixture by the mounting holes (see Figure 1) with four #8 screws (F).

### Electrical Connection

3. Mount and wire the MRIPSF-480 external power supply system per the procedures provided in the supplementary instruction sheet. Run conduit and DC wiring to an MRI room EMI filter. Make sure wiring is completely enclosed in grounded aluminum conduit. Any gaps, regardless of size, must be closed or wrapped in copper foil tape.

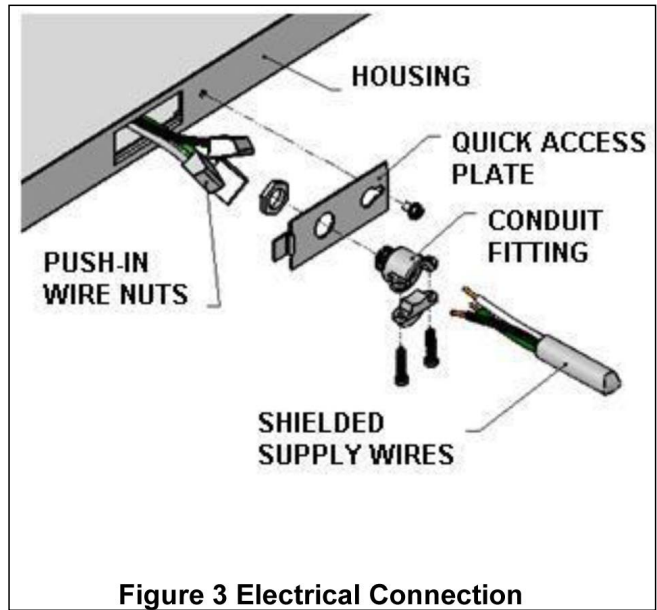


Figure 3 Electrical Connection

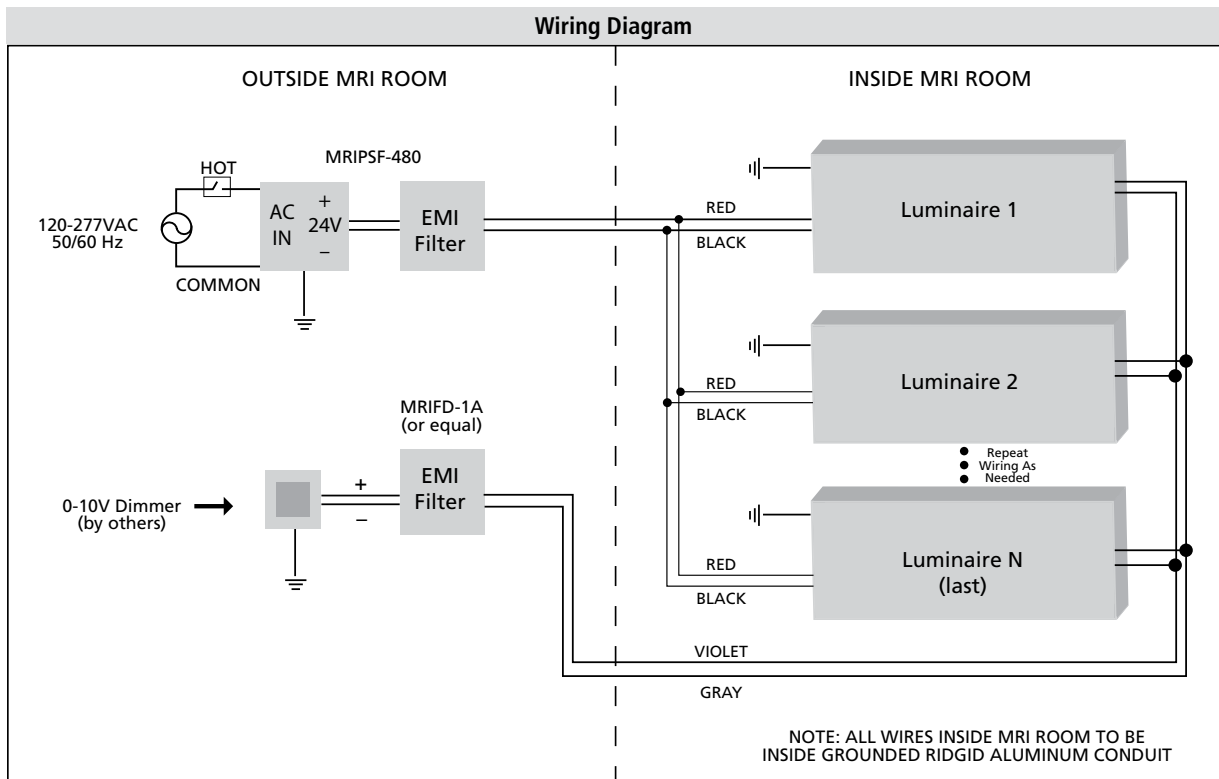


Figure 4

NOTE: 24VDC and Dimming Wires to be run through same conduit.



4. If a 0-10V dimming circuit is to be connected, install at this time. The 0-10V dimmer must be installed outside the shielded MRI environment with the Kenall MRIFD-1A dimming line filter (or equivalent) installed in accordance with the supplied installation instructions. Kenall recommends the Lutron Diva (DVSTV) and Lutron Nova T (NTSTV-DV) series to ensure the full range of dimming can be achieved. Contact Kenall for suitability of using an alternate sink-type 0-10V dimmer.

**WARNING:** All DC power and dimming signal wiring must be run through separate EMI filters.

5. After the luminaires are mounted and secured, access the internal junction box to gain access to supply connections. Each wire is labeled and color coded for easy identification.
6. Run DC supply wiring, equal in size and temperature rating to the filter input wiring, between the filter output cables and the first luminaire within the shielded room. Follow recommended wiring layout described within Figure 4. All wiring must be within completely-enclosed, grounded conduit suitable for an MRI environment. Any gaps, regardless of size, must be closed or wrapped in copper foil tape. Special attention should be paid to the wiring entry point into the shielded space. Class 1 wiring methods are required.
7. Run the dimming signal wiring, equal in specification to the filter input wiring, between the filter output cables and the first luminaire within the shielded room. Maintain polarity between input and output sides of the filter and follow wiring recommendation in Figure 4. All wiring must be within completely enclosed, grounded conduit suitable for an MRI environment. Any gaps, regardless of size, must be closed or wrapped in copper foil tape. Special attention should be paid to the wiring entry point into the shielded space. Cap gray and violet leads at luminaire(s) if dimming function is not implemented.
8. Make DC supply and (optional) dimmer control connections within each luminaire.
9. Reinstall all provided bracketry and internal enclosures provided with the luminaire. These parts are critical to the overall EMI shielding of the system.
10. Connect power to external power supply and test for proper operation of lighting system. Make sure all LEDs are lit and dimming operation works as intended (if connected).
11. Test operation of lighting during MRI machine idle mode and during scanning operations.
- 12. Fill out the Installation Registration Form (attached to MRIPSF-480 instruction sheet) and fax to Kenall at (262) 891-9701.**

## **CUSTOMER SERVICE**

For technical assistance, call 1-800-4KENALL (1-800-453-6255).

## **WARRANTY**

For warranty information visit [www.kenall.com/Resources/Certified-Performance-Warranties](http://www.kenall.com/Resources/Certified-Performance-Warranties)



www.kenall.com | P: 800-4-Kenall | F: 262-891-9701 | 10200 55th Street Kenosha, Wisconsin 53144, USA

This product complies with the Buy American Act: manufactured in the United States with more than 50% of the component cost of US origin. It may be covered by patents found at [www.kenall.com/patents](http://www.kenall.com/patents). Content of specification sheets is subject to change; please consult [www.kenall.com](http://www.kenall.com) for current product details. ©2019 Kenall Mfg. Co.

A brand of  **legrand**

## CUSTOMER ACKNOWLEDGEMENT

Customer acknowledges that these Installation Instructions are part of the product specification, and that the attached Installation Registration Form will be provided to the installer to sign and return to Kenall after installation is complete. This signed release is required by Kenall before order will be released into production.

Signature: \_\_\_\_\_

Date: \_\_\_\_\_

Print Name: \_\_\_\_\_

Company Name: \_\_\_\_\_

---

## IMPORTANT SAFEGUARDS

To prevent MRI machine interference, all DC power and dimming signal wiring must be completely shielded within grounded aluminum conduit and a suitable MRI room EMI filter must be installed on each line.

When using electrical equipment, basic safety precautions should always be followed, including the following:  
THIS PRODUCT MUST BE INSTALLED IN ACCORDANCE WITH THE APPLICABLE INSTALLATION CODE BY A PERSON FAMILIAR WITH THE CONSTRUCTION AND OPERATION OF THE PRODUCT AND THE HAZARDS INVOLVED.

## SAVE THESE INSTRUCTIONS

- 
- Disconnect power to all circuits before wiring system.
  - Install in accordance with all national, state, and local codes.
  - Do not connect to an ungrounded supply.
  - Wiring connections must be made internal to the enclosure.
  - Failure to install unit on a mechanically-sound surface may result in personal injury, physical damage, or potential fire hazard.
  - Use installation procedures appropriate for an environment involving MRI and sensitive electronic equipment.
  - Read all markings and labels to ensure correct installation of the power supply. Supplemental instructions may be located on the enclosure, in addition to this instruction sheet, regarding orientation, or mounting restrictions.
  - Read instructions provided with the MedMaster™ MRIPSF-480 remote power supply and DC filter system for proper installation and electrical connection to the lighting system.



## CUSTOMER ACKNOWLEDGEMENT MRI INSTALLATION REGISTRATION FORM

Customer acknowledges that the attached Installation Registration Form will be provided to the installer to sign and return to Kenall after installation is complete. For warranty purposes, please fill out this form and return to Kenall by fax at (262) 891-9701.

I certify that the lighting installation for the listed MRI suite location is completed per the provided installation instructions and to the best of my abilities.

Please check off items to denote status:

- Installation instruction sheets for MRIPSF-480 remote power supply and DC filter system and individual luminaire(s) read and followed.
- MRIPSF-480 power supply and EMI filters are located outside the shielded enclosure.
- All DC supply wiring is completely enclosed within grounded aluminum conduit. Installation has no ungrounded/unshielded portions of conduit or openings of any size or shape.
- All dimming signal wiring is completely enclosed within grounded aluminum conduit. Installation has no ungrounded/unshielded portions of conduit or openings of any size or shape. Check here if dimming is not applicable:
- If supplied by others, MRI Room EMI filters for the 24VDC supply and dimming signal are of the type intended for MRI suites and are sized to the electrical load.
- DC supply power and dimming signal are NOT running through the same EMI filter. Check here if dimming is not applicable:
- Lighting system fully tested (including dimming operation, if applicable) while MRI machine is in idle and scan operation mode.

If any of these steps cannot be completed or you need technical assistance, please contact Kenall Technical Support at 1-800-4KENALL (1-800-453-6255).

Electrical Contractor

Installation Site

Name: \_\_\_\_\_

Name: \_\_\_\_\_

City/State: \_\_\_\_\_

City/State: \_\_\_\_\_

Phone: \_\_\_\_\_

**FAX FORM TO (262) 891-9701**

Installation Date: \_\_\_\_\_

(Do not write below line)

Kenall Received By: \_\_\_\_\_ Received Date: \_\_\_\_\_



www.kenall.com | P: 800-4-Kenall | F: 262-891-9701 | 10200 55th Street Kenosha, Wisconsin 53144, USA

A brand of **legrand**

This product complies with the Buy American Act: manufactured in the United States with more than 50% of the component cost of US origin. It may be covered by patents found at [www.kenall.com/patents](http://www.kenall.com/patents). Content of specification sheets is subject to change; please consult [www.kenall.com](http://www.kenall.com) for current product details. ©2019 Kenall Mfg. Co.

MRIAUC-042519