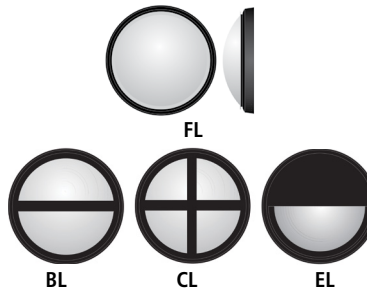


# MILLENIUM™ ROUND

## MR17 SERIES – LOW PROFILE HOUSING

### PRODUCT FEATURES:

- » Surface mount – ceiling (n/a with MR17EL) or wall mount; 17" Dia. x 6"D
- » Peace of Mind Guarantee® against breakage
- » Dust and water protected to IP64 standards



### PROJECT INFORMATION

Job Name \_\_\_\_\_

Fixture Type \_\_\_\_\_

Catalog Number \_\_\_\_\_

Approved by \_\_\_\_\_

### SPECIFICATIONS

**BASEPLATE:** Marine grade die-cast aluminum. Integral heat sinks. Baseplate flange interlocks and wraps around lens base producing maximum moisture deflection and resistance to prying. Baseplate provided with four-point mounting holes, one wireway hole and temporary junction box mounting breakouts. Standard matte black, dark bronze or matte white exterior TGIC polyester powder coat – 5-step pre-treatment. See Ordering Information for optional finishes.

**REFLECTOR:** Full reflector/wire cover – 92% reflectivity.

**LENS:** UV-stabilized, high impact resistant, virgin injection molded polycarbonate. High efficiency blondel fluted lens maximizes uniformity. Close tolerance push/turn/lock-in-place mating of injection molded lens and lens base. Lens and lens base secured with one concealed captive Torx® with center pin fastener.

**LENS BASE/GRILLE:** High impact resistant, injection molded matte black, dark bronze or matte white polycarbonate. Optional Light Gray, Silver, Forest Green or Custom Color (see Ordering Information below) are chemically bonded, impact resistant finishes.

**GASKETING:** Die-cut, closed cell neoprene self adhesive gasket seals baseplate to mounting surface. Closed cell, silicone "O" ring gaskets positioned and friction secured in gasket channels of lens base, baseplate and optional surface adapter.

**HARDWARE:** One stainless steel Torx® with center pin fastener.

**ELECTRICAL:** Available in 3500K, 4000K, and 5000K color temperatures, 80 CRI. 120-277VAC, 50/60Hz electrical input with high power factor electronic, constant-current driver (>.90 PF). Standard 0-10V dimming with 1-100% range; maximum driver source of 200 µA.

**PHOTOMETRICS:** Photometry tested to the IESNA LM-79-08 standard by an ILAC/ISO17025 accredited laboratory. For additional photometric information, go to [www.kenall.com](http://www.kenall.com).

**WARRANTY:** Limited five (5) year LED warranty. Peace of Mind Guarantee against breakage.

**LISTINGS:** Luminaire is certified to UL Standards by either Underwriters Laboratory or Intertek Testing Laboratory for Wet Location (listing includes Emergency Battery Pack "LEL" option). UL certified IP64 per IEC 60598. Anti-Ligature Pearlescent Polycarbonate (APP) option - damp location only.



In Stock SKU
MR17FL-PP-MW-25L40K-DV

### ORDERING INFORMATION (Ex: MR17FL-PP-MB-25L50K-DV)

Model	Lens Type	Finish	Lamp Type	Voltage	Options	Accessory
<b>Model</b>			<b>Lamp Type</b>		<b>Options</b>	
MR17BL Bar			15L35K 15 Watt 3500K LED		LEL-SA LED Emergency Battery Backup with Die-cast Surface Adapter (SA) - Non ADA (n/a with 347V)	
MR17CL Cross			15L40K 15 Watt 4000K LED		BPC-SA Photo Control – Shielded Button Type with Die-cast Surface Adapter (SA) - Non ADA (120V or 277V only)	
MR17EL Eyelid			15L50K 15 Watt 5000K LED		FS Single Fuse & Holder	
MR17FL Full Face			25L35K 25 Watt 3500K LED		NAT Natatorium Environment Option	
			25L40K 25 Watt 4000K LED		RMP‡ Retrofit Mounting Plate (See Tech Sheet)	
			25L50K 25 Watt 5000K LED		<b>Accessories</b>	
<b>Lens Type</b>			<b>Voltage</b>		SA Die-Cast Surface Adapter	
PP Pearlescent Polycarbonate			120 120 Volts		9500 Torx® Screwdriver	
APP* Anti-Ligature Pearlescent Polycarbonate			277 277 Volts		‡ n/a with Surface Adapter	
<b>Finish</b>			347† 347 Volts		† n/a with BPC	
DB Dark Bronze			DV† 120-277 Volts		* MR17FL only, damp location. n/a with LEL-SA or BPC-SA options	
MB Matte Black						
MW Matte White						
LG Light Gray						
SL Silver						
FG Forest Green						
CC Custom Color (Consult factory)						



www.kenall.com | P: 800-4-Kenall | F: 262-891-9701 | 10200 55th Street Kenosha, Wisconsin 53144, USA

This product complies with the Buy American Act: manufactured in the United States with more than 50% of the component cost of US origin. It may be covered by patents found at [www.kenall.com/patents](http://www.kenall.com/patents). Content of specification sheets is subject to change; please consult [www.kenall.com](http://www.kenall.com) for current product details. ©2019 Kenall Mfg. Co.

A brand of **legrand**

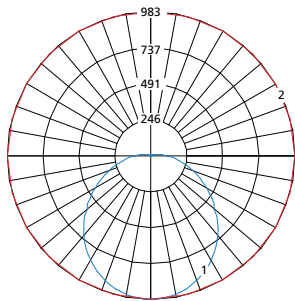
# MILLENIUM™ ROUND

## MR17 SERIES – LOW PROFILE HOUSING

Model	Lamp Type	Initial Delivered Lumens		Input Power (W)	Drive Current (mA)	Estd. L70 LED Life (hrs)
		@ 25°C (lm)	Efficacy (lm/W)			
MR17FL	15L35K	2,125	108	20	75	130,000
	15L40K	2,125	108	20	75	130,000
	15L50K	2,316	118	20	75	130,000
	25L35K	3,116	106	30	63	130,000
	25L40K	3,116	106	30	63	130,000
	25L50K	3,396	116	30	63	130,000
MR17BL	15L35K	1,870	95	20	75	130,000
	15L40K	1,870	95	20	75	130,000
	15L50K	2,038	104	20	75	130,000
	25L35K	2,742	93	30	63	130,000
	25L40K	2,742	93	30	63	130,000
	25L50K	2,988	102	30	63	130,000
MR17CL	15L35K	1,706	87	20	75	130,000
	15L40K	1,706	87	20	75	130,000
	15L50K	1,860	95	20	75	130,000
	25L35K	2,501	85	30	63	130,000
	25L40K	2,501	85	30	63	130,000
	25L50K	2,726	93	30	63	130,000
MR17EL	15L35K	1,760	90	20	75	130,000
	15L40K	1,760	90	20	75	130,000
	15L50K	1,923	98	20	75	130,000
	25L35K	2,586	88	30	63	130,000
	25L40K	2,586	88	30	63	130,000
	25L50K	2,819	96	30	63	130,000

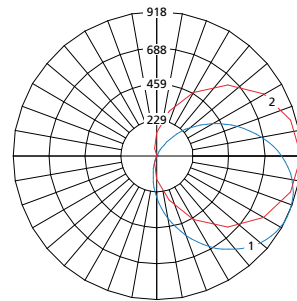
Info subject to change. Visit [www.kenall.com](http://www.kenall.com) for IES files and additional information.

Model: MR17FL-PP-MW-25L40K-DCC-DV



Max Candela = 983 Located At Horizontal Angle = 0, Vertical Angle = 0  
 1 - Vertical Plane Through Horizontal Angles (0-180) (Through Max. Cd.)  
 2 - Horizontal Cone Through Vertical Angle (0) (Through Max. Cd.)

Model: MR17EL-PP-MW-25L40K-DCC-DV



Max Candela = 918 Located At Horizontal Angle = 0, Vertical Angle = 65  
 1 - Vertical Plane Through Horizontal Angles (0-180) (Through Max. Cd.)  
 2 - Horizontal Cone Through Vertical Angle (65) (Through Max. Cd.)



[www.kenall.com](http://www.kenall.com) | P: 800-4-Kenall | F: 262-891-9701 | 10200 55th Street Kenosha, Wisconsin 53144, USA

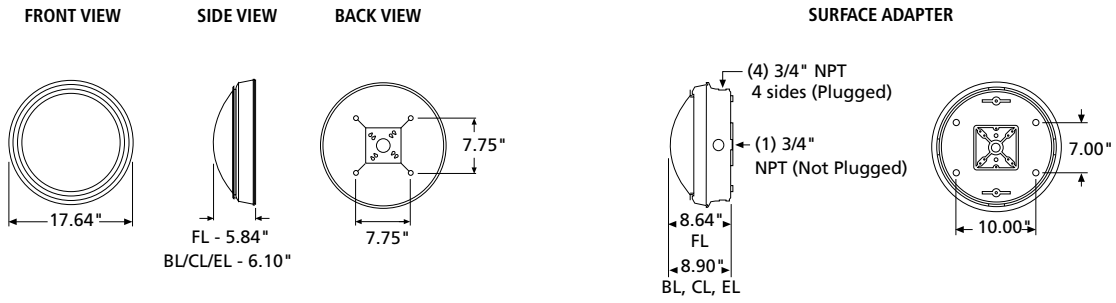
This product complies with the Buy American Act: manufactured in the United States with more than 50% of the component cost of US origin. It may be covered by patents found at [www.kenall.com/patents](http://www.kenall.com/patents). Content of specification sheets is subject to change; please consult [www.kenall.com](http://www.kenall.com) for current product details. ©2019 Kenall Mfg. Co.

A brand of Legrand

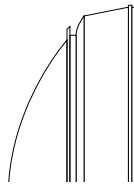
# MILLENIUM™ ROUND

## MR17 SERIES – LOW PROFILE HOUSING

### DIMENSIONAL DATA



PP LENS TYPE



APP LENS TYPE

