

MEDMASTER®

Luminaire for Patient Room Applications

MPH SERIES using Indigo-Clean Technology

PROJECT INFORMATION

Job Name _____
 Fixture Type _____
 Catalog Number _____
 Approved by _____

PRODUCT FEATURES:

- » Provides environmental disinfection and effective, efficient lighting performance via visible LED light
- » Single-Mode Indigo-Clean Technology is independently tested to kill harmful bacteria, such as Staph*, including MRSA**
- » Bi-directional (up/down) illumination with multi-function capability
- » Thin-profile construction in extruded aluminum with die-cast endcaps and diffused acrylic lenses



SPECIFICATIONS

HOUSING: Extruded 6063-T5 aluminum construction with die-cast aluminum end caps. Standard low-gloss anti-microbial white TGIC polyester powder-coat finish with five-stage pre-treatment. See optional finish selections. Formed 14-gauge CRS baseplate secures the housing assembly to the mounting surface.

OPTIC: Diffused impact-resistant lenses for up-light and down-light lamping. Isolated optical compartments prevent light-bleed between lamping functions.

LED MODULE: Second-generation LED providing single-source white disinfection spectrum. Available 3500K and 4000K color temperature on black-body locus. 3-step MacAdam variation allowance. 82CRI minimum.

LED DRIVER: 120-277VAC or 347VAC, 50/60Hz electrical input with serviceable constant-current driver (<10% THD, >0.90PF). Minimum 85% driver efficiency. Standard 0-10V dimming with 1-100% range and dim-to-dark capabilities (non dim-to-dark with 347V); maximum 330 µA maximum source current. Optional 0-10V dimming with 0.1%-100% range and dim-to-dark capabilities via eldoLED SOLOdrive series driver (n/a 347V input; ≤0.5V required from dimming control for dim-to-dark operation; 400µA max. source current). Optional eldoLED ECOdrive DALI drivers with 1-100% range. Optional Dual Circuit power and control wiring provides the ability to independently switch the up- and down-lighting functions. Standard configuration is for Single Circuit power and control wiring.

CONTROLS: Optional integral low-voltage controller with and without dimming (LVCD and LVC, respectively) capability through a compatible wall, bed or pillow speaker controller. When ordered in conjunction with the night light option, the low-voltage controller powers and controls the night light. Refer to hyperlinks within the Ordering Information for further details. See 'Accessories' for available low-voltage wall control switches.

INSTALLATION: Surface wall-mount installation over a recessed junction box. Internal mounting holes (hardware provided by others). Housing assembly attaches to baseplate via recessed internal hex set screws. Suitable for 0°C to 25°C ambient temperature environments.

PHOTOMETRICS: Photometry tested to the IESNA LM-79-08 standard by an ILAC/ISO17025 accredited laboratory. For additional photometric data, please go to www.kenall.com.

WARRANTY: Limited five (5) year warranty.

LISTINGS/CERTIFICATIONS: Luminaire is certified to UL Standards by Intertek Testing Laboratory for Damp Location installations. Dust-tight to IP6x per IEC 60598 standard. NSF2 Splash/Non-Food Zone. RoHS compliant.

* Per independent lab report #SGS-09S17036476. Contact Kenall for a copy of this report.

**Antimicrobial Activity of a Continuous Visible Light Disinfection System by Rutala, et. al, ID Week 2016



ORDERING INFORMATION (Ex: MPH-24-MW-23/23C-40K8-DIM1-S-DV)

Model	Length	Finish	Lamp Power	Lamp Color	Driver Type	Lamp Controls	Voltage	Options
MPH								
Nominal Length			Lamp Color			Input Voltage		
24	24" Nominal		35K8	3500K / 82CRI min.		DV	120-277VAC, 50/60Hz	
48	48" Nominal		40K8	4000K / 82CRI min.		347	347VAC, 60Hz (DIM1 only)	
Finish			Driver Type			Options		
MW	Anti-Microbial Matte White		DIM1	0-10V Dimming to 1%		LEL	Integral 6W Emergency Battery Backup (n/a 347V and 24")	
WS	Warm Satin Painted Anodized		DIM01	0-10V Dimming to 0.1%		FS	Fuse	
CS	Cool Satin Painted Anodized		DALI	DALI dimming to 1%		NLW	2700K White LED Night Light (n/a 347V)	
BR	Bronze					NLA	Amber LED Night Light (n/a 347V)	
BE	Beige					LVC*	Low-Voltage Controller (Click here for specifications)	
Lamp Power			Lamp Control			LVCD*		
23/23C	23W Single-Mode ICT Up/Down (24")		S^	Single Circuit Power and Control Wiring (Lamping Operates Together)		^ Not available with 45/45C		
45/45C	45W Single-Mode ICT Up/Down (48")		D	Dual Circuit Power and Control Wiring (Lamping Operates Individually)		* DIM1 and DIM01 only, n/a 347V		

ACCESSORIES ORDERED SEPARATELY

MPWS Low Voltage Wall Switch (Click [here](#) for Specifications)



www.kenall.com | P: 800-4-Kenall | F: 262-891-9701 | 10200 55th Street Kenosha, Wisconsin 53144, USA

This product complies with the Buy American Act: manufactured in the United States with more than 50% of the component cost of US origin. It may be covered by patents found at www.kenall.com/patents. Content of specification sheets is subject to change; please consult www.kenall.com for current product details. ©2022 Kenall Mfg. Co.

A brand of **legrand**

MPH-ICT-022522

MEDMASTER®
Luminaire for Patient Room Applications
MPH SERIES using Indigo-Clean Technology

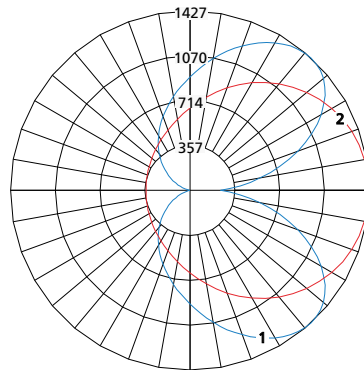
For additional photometry, go to www.kenall.com

PERFORMANCE

Length	Lamp Power	Orientation	Initial Delivered Lumens, by CCT (lm)		Input Power (W)	Estd. L ₇₀ LED Life (Hrs)
			35K8	40K8		
24	23/23L	Up Only	1,521	1,584	25	75,000
		Down Only	1,499	1,561	25	
		Up & Down	3,000	3,125	47	
48	45/45L	Up Only	3,237	3,372	49	75,000
		Down Only	3,191	3,324	49	
		Up & Down	6,386	6,652	95	
All	NLW	Down Only	46		1	100,000
	NLA		36		1	100,000

Information subject to change without notice. Visit www.kenall.com for IES files and additional information.

Model: MPH-48-MW-45/45C-40K8-DIM1-DV

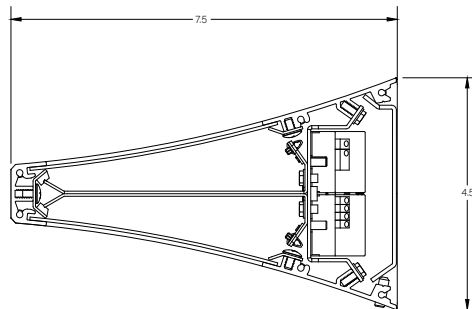


Maximum Candela = 1427 Located At Horizontal Angle = 0, Vertical Angle = 42.5

- 1 - Vertical Plane Through Horizontal Angles (0-180) (Through Max. Cd.)
- 2 - Horizontal Cone Through Vertical Angle (42.5) (Through Max. Cd.)

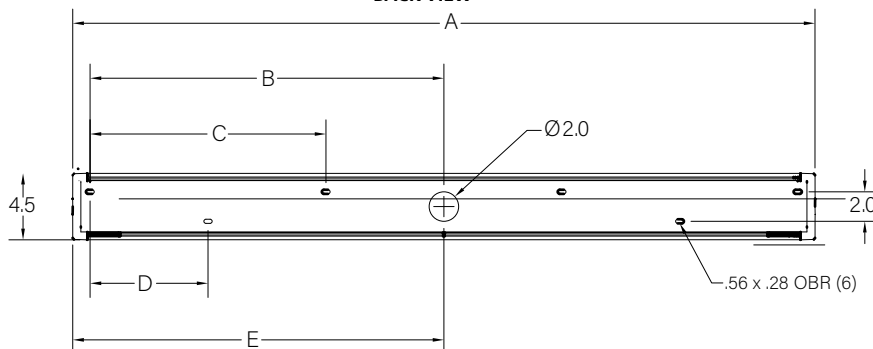
DIMENSIONAL DATA

CROSS SECTION



DIMENSIONAL DATA (IN INCHES)						
	A	B	C	D	E	Weight (lbs)
24"	26.35	12.00	8.00	4.00	13.18	11.25
48"	50.35	24.00	16.00	8.00	25.17	23.25

BACK VIEW



www.kenall.com | P: 800-4-Kenall | F: 262-891-9701 | 10200 55th Street Kenosha, Wisconsin 53144, USA

A brand of **legrand**

This product complies with the Buy American Act: manufactured in the United States with more than 50% of the component cost of US origin. It may be covered by patents found at www.kenall.com/patents. Content of specification sheets is subject to change; please consult www.kenall.com for current product details. ©2022 Kenall Mfg. Co.