

MEDMASTER™

MPCADE SERIES - TUNABLE WHITE LED

PRODUCT FEATURES:

- » Ceiling mount – recessed grid, recessed flange or surface; 2'x4'
- » High-output high-CRI LED lamp services with 2700K-6500K white tuning capability (Ambient function)
- » Ambient and exam lighting with optional reading function
- » Ingress Barrier Door provides consistent surface for cleanability



PROJECT INFORMATION

Job Name _____

Fixture Type _____

Catalog Number _____

Approved by _____

SPECIFICATIONS

HOUSING: FLANGE AND GRID: 20-gauge CRS seam welded one-piece construction. **SURFACE:** 18-gauge CRS one-piece seam welded construction. White TGIC polyester powder coat – 5-stage pre-treatment. Salt spray test 1,000 hours. Reflectance 92%. (See options for Antimicrobial Finish). Housing Flanges – 18-gauge CRS.

DOORFRAME: Heavy duty extruded aluminum with clear satin anodized finish. Doorframe supported to housing with aircraft cables (IB-AC) to provide NSF2 listing, or an optional continuous hinged doorframe (IB-HD). Select in ordering options below. Phillips-head stainless steel fasteners secure door to housing – 8 with IB-AC and 2 with IB-HD. Extruded closed cell gasket seals doorframe to housing.

OPTIC: Outer lens constructed of 0.125" clear impact-resistant acrylic and sealed to doorframe with vinyl gasketing. Inner exam and ambient functions are constructed with high-efficiency frost acrylic.

LED MODULE: AMBIENT: Serviceable tunable-white, mid-power LED array provides 2700K through 6500K CCT range with a two-point path. 3-step MacAdam variation allowance on each CCT. Minimum 82 CRI standard (R9 >20) with optional minimum 92 CRI (R9 >50). **EXAM:** Serviceable mid-power LED array. See Ordering Information for CCT options. 3-step MacAdam variation allowance. 82 CRI minimum.

DRIVER: 120-277VAC, 50/60Hz electrical input (PF ≥ 0.9, THD < 20%). Minimum 85% electrical efficiency. **AMBIENT:** Serviceable, constant-current multi-channel programmable driver with dual analog (0-10V) control inputs for intensity and CCT. Linear intensity and CCT adjustment profiles with 1-100% range and dim-to-dark capabilities on intensity. Optional DALI (Type 8) driver with 1-100% range and dim-to-dark intensity dimming with linear intensity and CCT adjustment profiles. **EXAM:** Serviceable constant-current programmable driver. Dimming protocol matches tunable white circuit selection: 0-10V dimming with 1-100% range and dim-to-dark capabilities or DALI with 1-100% range and dim-to-dark capability.

INSTALLATION: GRID MOUNT: Designed for 1" and 1.5" grid. (Housing includes hanging brackets to secure housing with wire to super structure). **FLANGE MOUNT:** Yoke mounting hardware & brackets included. Install Frame and Plaster Frames both positively locates yoke brackets within ceiling opening assures alignment of fixture. Install frame has no need for drywall backing. Backing is supplied on the frame brackets.

PHOTOMETRICS: Photometry tested to the IESNA LM-79-08 standard by an ILAC/ISO17025 accredited laboratory. For additional photometric data, please go to www.kenall.com.

WARRANTY: Limited five (5) year warranty on LED lamps.

LISTINGS: UL and CUL Listed for Wet Location and UL certified IP65 per IEC 60598. Recessed configurations rated for non-IC applications. NSF2 Splash/Non-Food Zone (IB-AC only). CCEA approved for grid or flange mount.



ORDERING INFORMATION (Ex: MPCADE24-F-45T/90L-27/65K8-40K8-ATW-DV-IB-AC)

Model	Mounting Options	Lamp Power	Ambient Color	Exam Color	Driver Type	Voltage	Doorframe	Options	Accessories
MPCADE24		45T/90L					IB-		
Mounting Options		Lamp Power (Ambient/Exam)		Driver Type		Options (continued)			
S Surface		45T/90L 45W Tunable White/90W Fixed White		ATW Analog (0-10V) Dimming Tunable White Driver		FS Single Fuse & Holder (1 per function)			
G Grid (1" and 1.5")				DTW DALI Tunable White Driver		LRL† LED Reading Lights (2 lamps included)			
F Flange				Input Voltage		TC T-Bar Clips (Grid only)			
				DV 120-277 Volts		TH 1/2" Trade Size Threaded Hub			
				120 120 Volts		HJ Sealed Wireway			
				277 277 Volts		Accessories			
Ambient Lamp Color				Doorframe		IF Install Frame (Flange only)			
27/65K8 2700-6500K CCT Range (82 CRI min)				AC Ingress Barrier w/Aircraft Cables		PF Plaster Frame (Flange only)			
Exam Lamp Color				HD Ingress Barrier w/Continuous Piano Hinge (not NSF2 listed)					
35K8 3500K LED (82 CRI)				Options					
40K8 4000K LED (82 CRI)				LELA LED Emergency Battery Pack					
50K8 5000K LED (82 CRI)				AMF Antimicrobial Finish on exposed surfaces					
				DLN† LED Night Light w/Light Level Control (100% - 20%) (voltage specific selection required)					
				DLNA† Amber LED Night Light w/Light Level Control (100% - 20%) (voltage specific selection required)					
				LVC* Low Voltage Controller (Click here for specifications)					
				LVCD* Low Voltage Controller with Dimming (Click here for specifications)					
								▲ Voltage-specific selection required. Wired to cool white LED circuit in Ambient function	
								† Voltage-specific selection required; DALI control not provided when ordered with DTW	
								* Low Voltage Controller compatible with bed controls; CCT on Ambient controlled separately; not compatible with DTW option. LVC wired to provide ON/OFF control to Ambient, Exam, Reading and Night Light function. LVCD wired to provide ON/OFF and dimming control to Ambient and Exam function; ON/OFF function capability for DLN/DLNA or LRL option when ordered in conjunction.	
								ACCESSORIES ORDERED SEPERATELY	
								MPWS Low Voltage Wall Switch (Click here for Specifications)	



www.kenall.com

P: 800-4-Kenall

F: 262-891-9701

10200 55th Street Kenosha, Wisconsin 53144

A brand of Legrand

When you see this image, you will know the Kenall product shown or described is designed and manufactured in the USA with components purchased from US suppliers, and meets the Buy American requirements under the ARRA. Kenall has not determined the origin of its domestically purchased components or the subcomponents thereof. May be covered by patents found at www.kenall.com/patents. Content of specification sheets is subject to change; please consult www.kenall.com for current product details. © 2019 Kenall Mfg. Co. All rights reserved.

MPCADE24-TW-050719

MEDMASTER™

MPCADE SERIES - TUNABLE WHITE LED

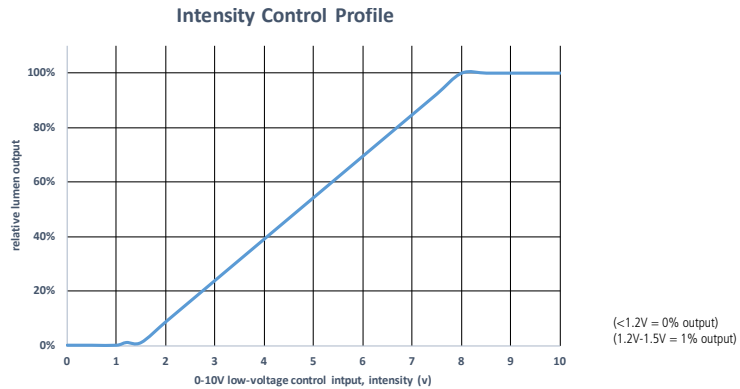
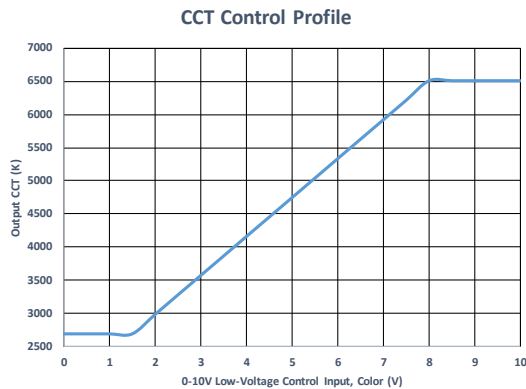
PERFORMANCE		Delivered Performance*			
Function	Lamp Type	Lumen Output (lm)	Efficacy (lm/W)	Input Power (W)	Estd. L70 LED Life (Hrs)
Ambient	45T-27/65K8	4,899	106	46	80,000
	45T-27/65K9	3,948	86	46	80,000
Exam	90L35K	8,614	88	98	80,000
	90L40K	9,183	94	98	80,000
	90L50K	9,183	94	98	80,000

*Tunable white Ambient function performance provided at 4000K
Information subject to change without notice. Visit www.kenall.com for ies files additional information.

PERFORMANCE SCALING, BY LAMP COLOR

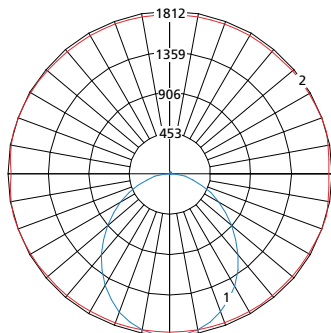
CCT (K)	27/65K8					27/65K9				
	LUMEN SCALE FACTOR	Ra	R9	Rf	Rg	LUMEN SCALE FACTOR	Ra	R9	Rf	Rg
2700	0.97	83	10	83	97	0.98	92	57	89	98
3000	0.98	84	15	83	98	0.99	94	70	91	99
3500	0.99	86	23	84	98	0.99	95	77	92	99
4000	1.00	86	26	84	98	1.00	96	83	92	99
4600	1.01	86	28	84	98	1.01	96	90	92	100
5000	1.01	86	25	83	98	1.03	96	96	91	101
5700	1.02	85	23	82	98	1.02	96	96	91	100
6500	1.04	84	16	82	96	1.02	96	96	90	100

CCT AND INTENSITY ADJUSTMENT PROFILE - ATW DRIVER TYPE



NOTE: The provided information is the typical expected performance of a single luminaire. Additional luminaires on the same 0-10V line may result in different control profiles. Fine tuning of system performance should be completed after installation is complete. To avoid CCT shift between luminaires, care should be taken to minimize voltage drop on the CCT Control line. It is recommended to limit the load on the CCT control circuit to twenty (20) 45T or ten (10) 67T/90T luminaires or less.

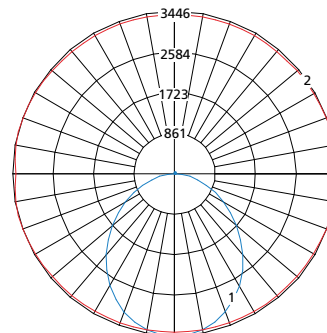
Model: MPCADE24-G-45T-90L-27-65K8-40K8-ATW-DV-IB-AC Ambient



Maximum Candela = 1812 Located At Horizontal Angle = 195, Vertical Angle = 5

- 1 - Vertical Plane Through Horizontal Angles (195-15) (Through Max. Cd.)
- 2 - Horizontal Cone Through Vertical Angle (5) (Through Max. Cd.)

MPCADE24-G-45T-90L-27-65K8-40K8-ATW-DV-IB-AC Exam



Maximum Candela = 1812 Located At Horizontal Angle = 195, Vertical Angle = 5

- 1 - Vertical Plane Through Horizontal Angles (195-15) (Through Max. Cd.)
- 2 - Horizontal Cone Through Vertical Angle (5) (Through Max. Cd.)



www.kenall.com P: 800-4-Kenall F: 262-891-9701 10200 55th Street Kenosha, Wisconsin 53144

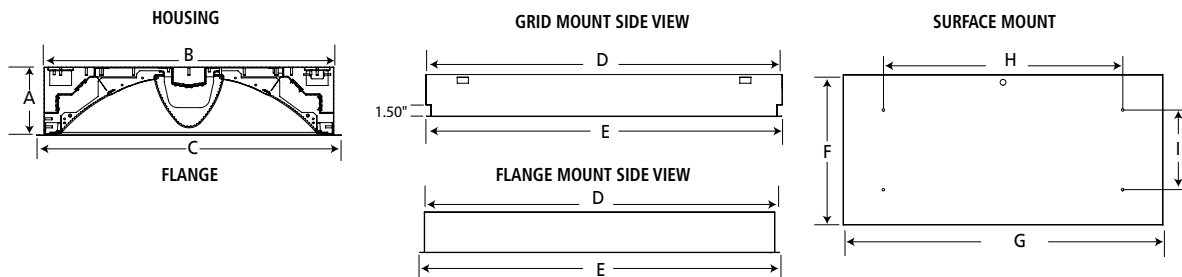
A brand of **legrand**

When you see this image, you will know the Kenall product shown or described is designed and manufactured in the USA with components purchased from US suppliers, and meets the Buy American requirements under the ARRA. Kenall has not determined the origin of its domestically purchased components or the subcomponents thereof. May be covered by patents found at www.kenall.com/patents. Content of specification sheets is subject to change; please consult www.kenall.com for current product details. © 2019 Kenall Mfg. Co. All rights reserved.

MPCADE24-TW-050719

MEDMASTER™
MPCADE SERIES - TUNABLE WHITE LED

DIMENSIONAL DATA



DIMENSIONAL DATA (IN INCHES)

	A	B	C	D	E	F	G	H	I
Flange*	5.93	22.60	23.75	48.13	49.28	---	---	---	---
Grid	5.93	22.60	23.75	48.00	47.75	---	---	---	---
Surface	5.93	---	---	---	---	22.60	48.13	30.00	12.00

*Flange Ceiling Cutout: 22.88 x 48.38 (Add .25" to each dimension when Install Frame (IF) or Plaster Frame (PF) is specified.)

