

MEDMASTER™

Behavioral Healthcare Luminaires

MMPCADE SERIES

PRODUCT FEATURES:

- » Ceiling mount – recessed flange or surface; 2'x2' or 2'x4'
- » Heavy-duty one-piece TIG and spot welded housing
- » Doorframe with Polycarbonate lens secured with Torx® fasteners for security



PROJECT INFORMATION

Job Name _____

Fixture Type _____

Catalog Number _____

Approved by _____

SPECIFICATIONS

HOUSING: Die-formed prime grade material as specified – see Ordering Information. TIG and spot welded construction.

DOORFRAME: One-piece die-formed prime grade material as specified – see Ordering Information. Corners continuously seam welded and smooth with no post grinding (TIG).

FINISH: TGIC polyester powder coat – 5-stage pre-treatment. Salt spray test: 1,000 hours; Reflectance: 92%. Optional antimicrobial finish.

LENS: As specified – maximum thickness .375" – see Ordering Information.

LAMP SHIELDING: Exam compartment shielded by frosted linear prismatic high impact acrylic. Ambient compartment shielded by 100% internal fluted high impact acrylic.

GASKET: Closed silicone gasket seals door to housing.

FASTENERS: Torx® head with center pin hardened security screws. Fully recessed.

ELECTRICAL: LED: Available 3000K, 3500K, 4000K and 5000K color temperatures with 3-step MacAdam variation allowance, 82 CRI. 120-277VAC or 347VAC, 50/60Hz electrical input with serviceable high power factor electronic, constant-current driver (<20% THD, >0.95 PF). Standard 0-10V dimming with 1-100% range and dim-to-dark capabilities (non dim-to-dark with 347V); 330µA maximum source current per circuit. LE: Fluorescent electronic 120/277V ballasts high power factor (<10% THD). See Ordering Information for optional equipment. Lamps by others. Exam area NEC compliant with isolated wiring compartment for auxiliary branch circuit feed.

SENSOR & CONTROLS: Optional sensor available with compatible third party controls. To see the full list of compatible controls, click [here](#).

INSTALLATION: FLANGE MOUNT: – Mounting yoke brackets standard. Fixture mounting hardware included. Install Frame Accessory positively locates yoke brackets within ceiling opening; assures alignment of fixture. No measuring for yoke required; no drywall backing required (included with frame assembly). SURFACE MOUNT: – Four .312" diameter holes.

WARRANTY: Limited five (5) year warranty on LED lamps.

LISTINGS: LED: Luminaire is certified to UL standards by Intertek Testing Laboratory for Wet Locations and non-IC installations. FL: UL and CUL Listed for Wet Location. Certified IP65 per IEC60598 by the respective listing agency. Flange Mounting style is CCEA approved.



ORDERING INFORMATION (Ex: MMPCADE22-F-1/1-7-25L/45L-35K8-DCC-DV)

Model	Mounting	Door/Housing Material	Lens	Lamp Qty	Lamp Type	Lamp Color	Ballast/Driver	Voltage	Options	Accessory
Model										
MMPCADE22	2'x2'									
MMPCADE24	2'x4'									
Mounting Options										
S	Surface									
F	Flange									
Door/Housing Material										
0	14-Ga CRS (Painted White)									
1	16-Ga CRS (Painted White)									
2	18-Ga CRS (Painted White) (n/a as Door Material)									
3	14-Ga SS (Painted White)									
4	16-Ga SS (Painted White)									
6	14-Ga SS (Brushed)									
7	16-Ga SS (Brushed)									
A	18-Ga SS Brushed (n/a as Door Material)									
B	18-Ga SS Painted (n/a as Door Material)									
Lens Type										
7	.187" Clear Polycarbonate									
9	.250" Clear Polycarbonate									
B	.375" Clear Polycarbonate									
Lamp Quantity (Fluorescent Only)										
Ambient Compartment										
1	One Lamp									
2	Two Lamps									
Exam Compartment										
2	Two Lamps									
4	Four Lamps									
Lamp Type										
2x2										
25L/45L	25 Watt Ambient/45 Watt Exam LED									
17	F17T8									
14	F14T5									
24	F24T5HO									
2x4										
45L/90L	45 Watt Ambient/90 Watt Exam LED									
32	F32T8									
28	F28T5									
54	F54T5HO									
Ambient/Exam Lamp Color (LED Only)										
30K8	3000K, 82CRI									
35K8	3500K, 82CRI									
40K8	4000K, 82CRI									
50K8	5000K, 82CRI									
Ballast/Driver Type										
DCC	Dimming Constant Current Driver									
IS	Instant Start Electronic (T8<10% THD)									
RS	Rapid Start Electronic (T5,T8 <10% THD)									
SB	Specified Ballast									
Voltage										
DV	120-277 Volts									
347	347 Volts									
Options										
LEL*	8.4W LED Emergency Battery Pack (n/a 347V, 0°C min operating temperature)									
AMF	Antimicrobial Finish on exposed surfaces									
NLW*^	2700K White LED Night Light									
NLA*^	Amber LED Night Light									
EL*†	One-Lamp Emergency Battery Pack (32°F)									
FS	Fuse & Holder									
LRL*	Dual 3500K, 90CRI Reading Lights									
LVC*^	Low Voltage Controller (Click here for specifications)									
LVCS*^	Low Voltage Controller with Secondary Knockout (Click here for specifications)									
LVCD*^	Low Voltage Controller with Dimming (Click here for specifications)									
LVCD5*^	Low Voltage Controller with Dimming and Secondary Knockout (Click here for specifications)									
RF^	Radio Frequency Filter (one per circuit)									
Accessory										
IF	Install Frame (Flange only) (Add .375" to each Ceiling Cutout dimension)									
^ n/a with 347V * 2'x2' configuration available with only one of the following options: NLW, NNA, LEL, LRL, LVC, LVCD, EL † n/a with LED ^ n/a with 347V and fluorescent lamping										

ACCESSORIES ORDERED SEPERATELY

MPWS Low Voltage Wall Switch (Click [here](#) for Specifications)



www.kenall.com | P: 800-4-Kenall | F: 262-891-9701 | 10200 55th Street Kenosha, Wisconsin 53144, USA

This product complies with the Buy American Act: manufactured in the United States with more than 50% of the component cost of US origin. It may be covered by patents found at www.kenall.com/patents. Content of specification sheets is subject to change; please consult www.kenall.com for current product details. ©2022 Kenall Mfg. Co.

A brand of **legrand**

MMPCADE-072022

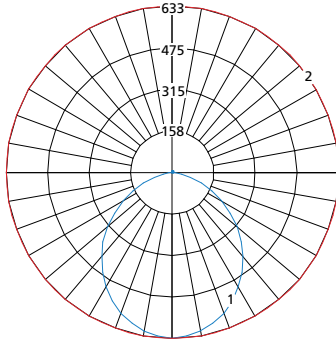
MEDMASTER™
Behavioral Healthcare Luminaires
MMPCADE SERIES

PERFORMANCE

Model	Function	Outer Lens Type	Lamp Power	Initial Delivered Lumens, By Lamp Color				Efficacy (lm/W)	Input Power (W)	Estd. L ₇₀ LED Life (Hrs)
				30K8	35K8	40K8	50K8			
MMPCADE22	Ambient	7	25L	1,571	1,619	1,675	1,742	60 - 67	26	80,000
		9		1,574	1,622	1,678	1,745	61 - 67	26	80,000
		B		1,502	1,548	1,601	1,665	58 - 64	26	80,000
	Exam	7	45L	2,788	2,874	2,972	3,091	61 - 67	46	80,000
		9		2,793	2,880	2,978	3,097	61 - 67	46	80,000
		B		2,666	2,748	2,842	2,956	58 - 64	46	80,000
	Ambient/Exam	7	25L/45L	4,387	4,523	4,677	4,864	60 - 67	73	80,000
		9		4,396	4,531	4,686	4,873	60 - 67	73	80,000
		B		4,195	4,325	4,473	4,651	57 - 64	73	80,000
MMPCADE24	Ambient	7	45L	3,550	3,660	3,785	3,936	72 - 80	49	80,000
		9		3,557	3,667	3,792	3,944	73 - 80	49	80,000
		B		3,395	3,500	3,619	3,764	69 - 77	49	80,000
	Exam	7	90L	6,384	6,581	6,806	7,078	64 - 71	100	80,000
		9		6,396	6,594	6,819	7,091	64 - 71	100	80,000
		B		6,104	6,293	6,508	6,768	61 - 68	100	80,000
	Ambient/Exam	7	45L/90L	9,881	10,187	10,534	10,956	67 - 74	148	80,000
		9		9,900	10,206	10,554	10,976	67 - 74	148	80,000
		B		9,449	9,741	10,073	10,476	64 - 71	148	80,000

Subject to change without notice. Visit www.kenall.com for .ies files and additional information.

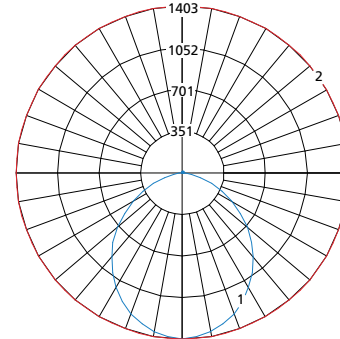
Model: MMPCADE22-w-x-y-9-25L/45L-40K8-DCC-zzz (Ambient)



Maximum Candela = 633 Located At Horizontal Angle = 195, Vertical Angle = 5

- 1 - Vertical Plane Through Horizontal Angles (195-15) (Through Max. Cd.)
- 2 - Horizontal Cone Through Vertical Angle (5) (Through Max. Cd.)

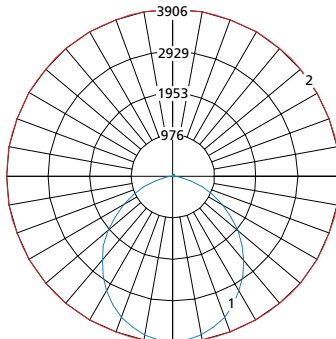
Model: MMPCADE24-w-x-y-9-45L/90L-40K8-DCC-zzz (Ambient)



Maximum Candela = 1403 Located At Horizontal Angle = 195, Vertical Angle = 5

- 1 - Vertical Plane Through Horizontal Angles (195-15) (Through Max. Cd.)
- 2 - Horizontal Cone Through Vertical Angle (5) (Through Max. Cd.)

Model: MMPCADE24-w-x-y-9-45L/90L-40K8-DCC-zzz (Ambient & Exam)



Maximum Candela = 3906 Located At Horizontal Angle = 0, Vertical Angle = 0

- 1 - Vertical Plane Through Horizontal Angles (0-180) (Through Max. Cd.)
- 2 - Horizontal Cone Through Vertical Angle (0) (Through Max. Cd.)



www.kenall.com | P: 800-4-Kenall | F: 262-891-9701 | 10200 55th Street Kenosha, Wisconsin 53144, USA

This product complies with the Buy American Act: manufactured in the United States with more than 50% of the component cost of US origin. It may be covered by patents found at www.kenall.com/patents. Content of specification sheets is subject to change; please consult www.kenall.com for current product details. ©2022 Kenall Mfg. Co.

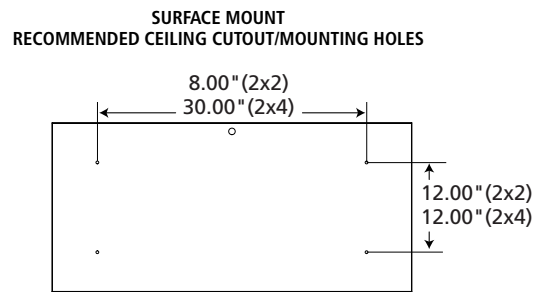
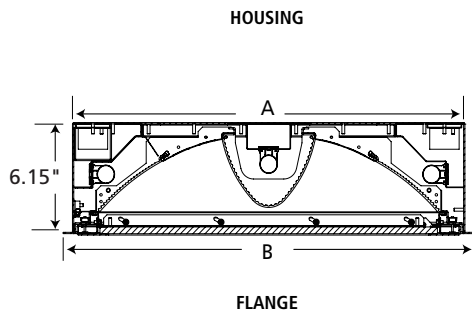
A brand of **legrand**

MEDMASTER™

Behavioral Healthcare Luminaires

MMPCADE SERIES

DIMENSIONAL DATA



DIMENSIONAL DATA (IN INCHES)

	A (HOUSING)			B (FLANGE)
	18-Ga	16-Ga	14-Ga	
2x2 T5-Flange	22.62x22.62	22.65x22.65	22.68x22.68	23.75x23.75
2x2 T5-Surface	22.55x22.54	22.58x22.59	22.64x22.64	N/A
2x2 T8/LED-Flange	22.62x24.14	22.65x24.17	22.68x24.40	23.75x25.27
2x2 T8/LED-Surface	22.55x24.06	22.58x24.11	22.65x24.16	N/A
2x4 T5-Flange	22.62x46.62	22.65x46.65	22.68x46.68	23.75x47.75
2x4 T5-Surface	22.55x46.54	22.58x46.59	22.65x46.64	N/A
2x4 T8/LED-Flange	22.62x48.14	22.65x48.17	22.68x48.20	23.75x49.27
2x4 T8/LED-Surface	22.55x48.06	22.58x48.11	22.65x48.16	N/A
RECOMMENDED CEILING CUTOUT				
2x2 T5	22.93x22.85			
2x4 T5	22.93x46.85			
2x2 T8/LED	22.93x24.37			
2x4 T8/LED	22.93x48.37			

