

MEDMASTER™

Behavioral Healthcare Luminaires

MMEC SERIES

PRODUCT FEATURES:

- » Ceiling mount – recessed flange or surface; 8"×48", 12"×48"
- » Heavy-duty one-piece TIG and spot welded housing
- » Doorframe with Polycarbonate lens secured with Torx® fasteners for security
- » Exam light with asymmetric optics for shadow-free illumination



PROJECT INFORMATION

Job Name _____

Fixture Type _____

Catalog Number _____

Approved by _____

SPECIFICATIONS

HOUSING: Die-formed prime grade material as specified – see Ordering Information. TIG and spot welded construction. TGIC polyester powder coat – 5-stage pre-treatment. Salt spray test: 1,000 hours; Reflectance: 92%. Optional antimicrobial finish.

DOORFRAME: One-piece die-formed prime grade material as specified – see Ordering Information. Corners continuously seam welded and smooth with no post grinding (TIG).

LENS: As specified – maximum thickness .375" – see Ordering Information.

LAMP SHIELDING: Perforated metal (white TGIC polyester powder coat finish) with pearlescent diffuser.

GASKET: Closed cell Silicone gasket seals door to housing.

FASTENERS: Torx® head with center pin hardened security screws. Fully recessed.

ELECTRICAL: Fluorescent electronic 120-277V ballasts high power factor (<10% THD). See Ordering Information for optional equipment. Lamps by others.

INSTALLATION: SURFACE MOUNT: Four .312" diameter holes. FLANGE MOUNT: – Yoke brackets : Fixture mounting hardware included. Install Frame (Accessory): Positively locates yoke brackets within ceiling opening; assures alignment of fixture. No measuring for yoke required; no drywall backing required (included with frame assembly).

WARRANTY: Limited one (1) year Kenall fluorescent warranty.

LISTINGS: UL and CUL Listed for Wet Location. UL certified IP65 per IEC 60598.



ORDERING INFORMATION (Ex: MMEC12-48-S-0/0-7-1-32-IS-120)

Model	Length	Mounting	Door/Housing Material	Lens	Lamp Qty	Lamp Type	Ballast Type	Voltage	Options	Accessory
	48		/							
Model			Door/Housing Material			Lamp Type			Options	
MMEC8 8"			0 14-Ga CRS (Painted)			28▲ F28T5			AMF Antimicrobial Finish on exposed surfaces	
MMEC12 12"			1 16-Ga CRS (Painted)			32 F32T8 (MEC12 only)			FS Fuse & Holder	
Nominal Length			2 18-Ga CRS (Painted)(n/a as Door Material)			54 F54T5H0			RF▲ Radio Frequency Filter	
48 4'			3 14-Ga SS (Painted)			Ballast Type			Accessory	
Mounting Options			4 16-Ga SS (Painted)			IS Instant Start Electronic, 10% THD (T8)			IF Install Frame (Flange only)	
S Surface			6 14-Ga SS			RS Rapid Start Electronic, 10% THD (T8, T5, T5H0)				▲ n/a with 347V
F Flange			7 16-Ga SS (Brushed)			Voltage				
			B 18-Ga SS (Painted White)(n/a as Door Material)			120 120 Volts				
			A 18-Ga SS (Brushed)(n/a as Door Materials)			277 277 Volts				
			Lens Type			347 347 Volts				
			7 .187" Clear Polycarbonate							
			9 .250" Clear Polycarbonate							
			B .375" Clear Polycarbonate							
			Lamp Quantity							
			1 One Lamp							
			2 Two Lamps							



www.kenall.com | P: 800-4-Kenall | F: 262-891-9701 | 10200 55th Street Kenosha, Wisconsin 53144, USA

This product complies with the Buy American Act: manufactured in the United States with more than 50% of the component cost of US origin. It may be covered by patents found at www.kenall.com/patents. Content of specification sheets is subject to change; please consult www.kenall.com for current product details. ©2019 Kenall Mfg. Co.

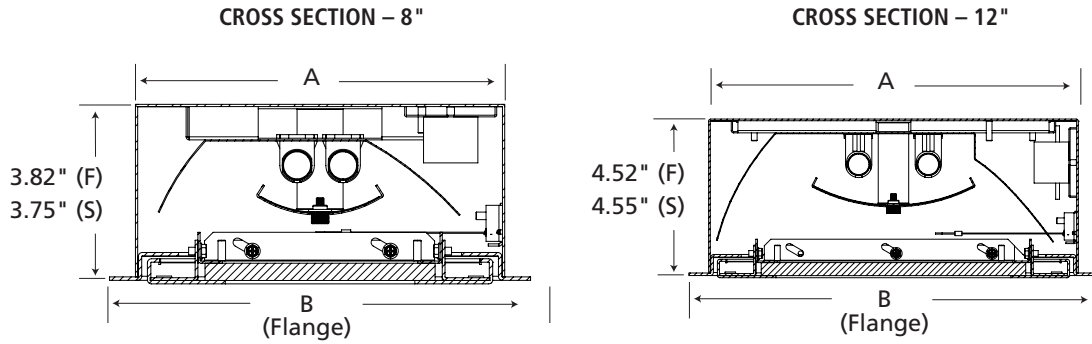
A brand of Legrand

MEDMASTER™
Behavioral Healthcare Luminaires

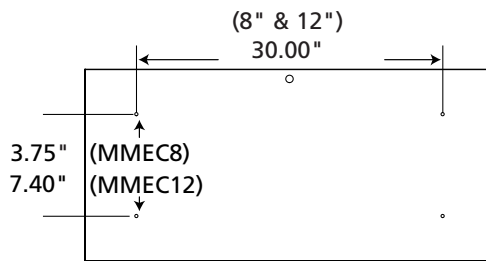
For additional photometry, go to www.kenall.com

MMEC SERIES

DIMENSIONAL DATA



MOUNTING HOLES - SURFACE



DIMENSIONAL DATA (IN INCHES)

	A (HOUSING)			B (FLANGE)
	18-Ga	16-Ga	14-Ga	
MMEC8-F-T5	8.02×47.13	8.05×47.16	8.08×47.19	9.15×48.26
MMEC8-S	7.91×47.06	7.96×47.10	8.02×47.16	N/A
MMEC12-F-T5	10.62×47.13	10.65×47.16	10.68×47.19	11.75×48.26
MMEC12-F-T8	10.62×48.77	10.65×48.80	10.68×48.83	11.75×49.90
MMEC12-S-T5	10.54×47.05	10.59×47.10	10.65×47.16	N/A
MMEC12-S-T8	10.54×48.69	10.59×48.74	10.65×48.80	N/A
RECOMMENDED CEILING CUTOUT -- FLANGE MOUNT				
MMEC8-T5	8.25×47.36			
MMEC12-T5	10.85×47.36			
MMEC12-T8	10.85×49.00			



www.kenall.com | P: 800-4-Kenall | F: 262-891-9701 | 10200 55th Street Kenosha, Wisconsin 53144, USA

A brand of **legrand**

This product complies with the Buy American Act: manufactured in the United States with more than 50% of the component cost of US origin. It may be covered by patents found at www.kenall.com/patents. Content of specification sheets is subject to change; please consult www.kenall.com for current product details. ©2019 Kenall Mfg. Co.