

MILLENIUM METREX™

METELHC SERIES

PRODUCT FEATURES:

- » Surface mount – wall or ceiling
- » High capacity battery options
- » Self contained emergency light
- » Self diagnostic testing features
- » High impact polycarbonate construction



PROJECT INFORMATION

Job Name _____

Fixture Type _____

Catalog Number _____

Approved by _____

SPECIFICATIONS

HOUSING: High impact, injection molded polycarbonate. Housing provided with four-point mounting holes, one wireway hole and temporary junction box mounting drill points – see Cross Section/Details. Closed cell Neoprene gasket seals housing to mounting surface.

SHIELD: UV stabilized, high impact, injection molded clear polycarbonate. Nominal thickness .120". Captive stainless steel Torx® with center pin fasteners secure shield to housing. Continuous closed cell silicone gasket seals shield to housing.

ELECTRICAL: Electrical components mounted to removable chassis. Sealed nickel-cadmium Emergency Battery Pack with standard deep cycle battery conditioning, self test and self diagnostic circuitry, remote laser activated test switch, protected mechanical test switch and status indicator. Suitable for 10°C to 45°C (50°F to 113°F). Cold Weather Emergency Battery Pack (CEL) suitable for -30°C to 45°C (-22°F to 113°F). Remote Exit Ready – can power one or two Kenall METSS Satellite Exits. Can also power Kenall METER Emergency Remote Unit(s); selected total lamps – including all remotes – cannot exceed unit output rating; consult Output Rating chart.

INSTALLATION: Standard four-point mounting required for Peace of Mind Guarantee®. Drill points provided for optional surface conduit entry.

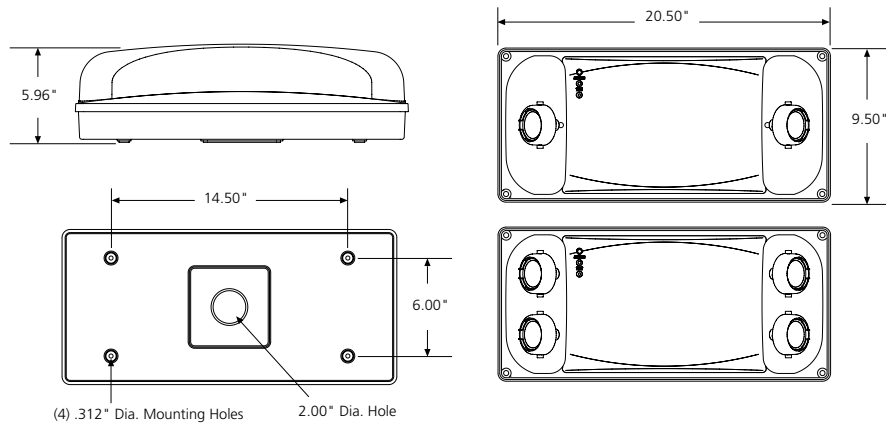
LISTINGS: UL and CUL listed for Wet Location. UL certified IP64 per IEC 60598. Meets or exceeds UL924 and NFPA 101 standards. Meets or exceeds CSA and NRCAN requirements.



ORDERING INFORMATION (Ex: METELHC-24N-MW-2-6.5L-120)

Model	Battery Capacity	Finish	Lamp Qty	Lamp Type	Voltage	Options	Accessories																							
METELHC				6.5L																										
Battery Capacity			Lamp Quantity		Options																									
24N	24W Nickel Cadmium		2	2 Internal Lamps		CEL** Cold Weather Emergency Battery Pack																								
40N	40W Nickel Cadmium		4	4 Internal Lamps		PH Phillips Head Fasteners																								
Finish			Lamp Wattage/Type*		Accessories																									
MB	Matte Black		6.5L	6.5W LED		LP Laser Pointer																								
MW	Matte White					9500 Torx® with center pin Screwdriver																								
<table border="1"> <thead> <tr> <th>Maximum Lamp Quantity</th> <th>Battery</th> <th>½ hr</th> <th>1 hr</th> <th>1½ hr</th> <th>2 hr</th> <th>3 hr</th> <th>4 hr</th> </tr> </thead> <tbody> <tr> <td>24N</td> <td>5</td> <td>5</td> <td>3</td> <td>2</td> <td>--</td> <td>--</td> <td>--</td> </tr> <tr> <td>40N</td> <td>5</td> <td>5</td> <td>5</td> <td>4</td> <td>3</td> <td>2</td> <td>--</td> </tr> </tbody> </table> <p>Remove distances based on wire gauge</p>			Maximum Lamp Quantity	Battery	½ hr	1 hr	1½ hr	2 hr	3 hr	4 hr	24N	5	5	3	2	--	--	--	40N	5	5	5	4	3	2	--	Voltage 120 120 Volts DT 120/277 Volts DTC 120/347 Volts		<p>* Selected total lamps cannot exceed unit output rating. Consult Output Rating Chart on left</p> <p>** n/a with DTC voltage</p>	
Maximum Lamp Quantity	Battery	½ hr	1 hr	1½ hr	2 hr	3 hr	4 hr																							
24N	5	5	3	2	--	--	--																							
40N	5	5	5	4	3	2	--																							

DIMENSIONAL DATA



www.kenall.com | P: 800-4-Kenall | F: 262-891-9701 | 10200 55th Street Kenosha, Wisconsin 53144, USA

A brand of **legrand**

This product complies with the Buy American Act: manufactured in the United States with more than 50% of the component cost of US origin. It may be covered by patents found at www.kenall.com/patents. Content of specification sheets is subject to change; please consult www.kenall.com for current product details. ©2019 Kenall Mfg. Co.