

MILLENIUM METREX™

METEDU SERIES

PRODUCT FEATURES:

- » Surface mount – wall or ceiling; Double Face
- » Indirect LED with life up to 50,000 hours
- » Cooler operation and simpler testing protocol



PROJECT INFORMATION

Job Name _____

Fixture Type _____

Catalog Number _____

Approved by _____

SPECIFICATIONS

HOUSING: High impact, injection molded polycarbonate. Housing provided with canopy mounting and wireway drill points top and side – see Cross Section/Details. Closed cell die-cut Neoprene gasket seals housing to canopy.

SHIELD: UV-stabilized, high impact, injection molded clear polycarbonate. Nominal thickness .120". Corrosion resistant Phillips head fasteners secure shield to housing. Continuous closed cell silicone gasket seals shield to housing.

CANOPY: High impact, injection molded polycarbonate canopy cover with heavy gauge galvanized steel mounting plate with integral 1/4-20 threaded studs. Canopy mounting plate provided with four-point mounting holes, one wireway hole and temporary junction box mounting holes. Closed cell die-cut Neoprene gasket seals canopy to mounting surface.

LEGEND: Legend illuminated by internal high output LEDs. Lettering height and stroke determined by legend option. Polycarbonate red or green filter panels. Stencil is 18-gauge laser cut steel with TGIC polyester powder coat finish to match housing.

ELECTRICAL: 624 nm Red, or 527 nm Green LED light source. Electrical components mounted to removable high impact, injection molded polycarbonate chassis. Drill points provided for optional conduit entry.

OPTIONS: Sealed nickel-cadmium Emergency Battery Pack (EL) with standard deep cycle battery conditioning, self test and self diagnostic circuitry, remote laser activated test switch, protected mechanical test switch and status indicator. Provides 120 minutes of emergency operation. The Emergency Battery Pack (EL) is suitable for 10°C to 45°C (50°F to 113°F). Cold Weather Emergency Battery Pack (CEL) suitable for -45°C to 45°C (-49°F to 113°F).

INSTALLATION: Standard four-point mounting required for Peace of Mind Guarantee®.

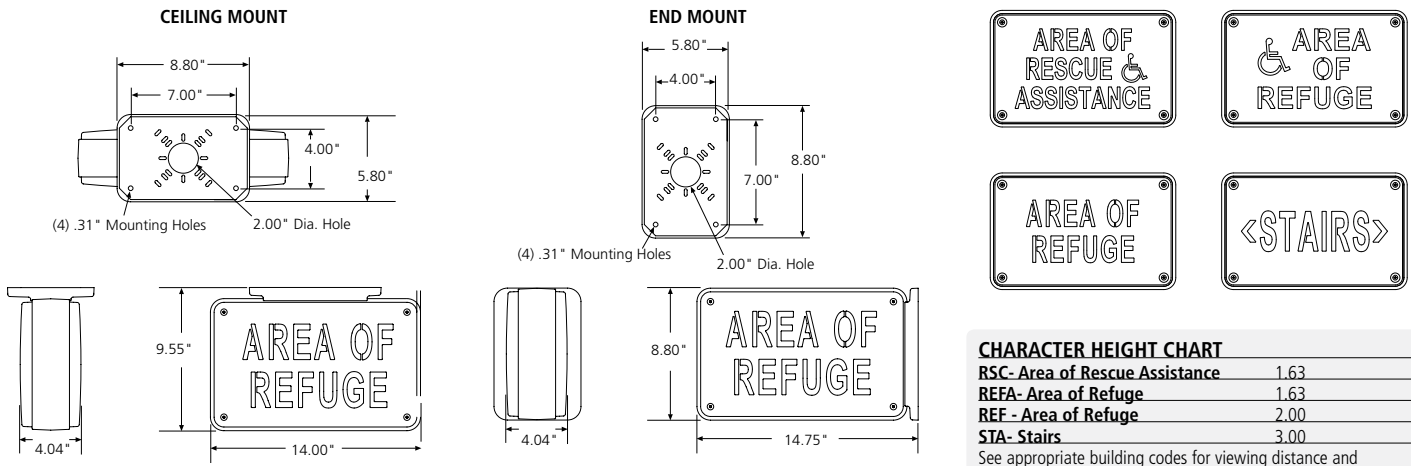
LISTINGS: UL and CUL listed for Wet Location. UL certified IP64 per IEC 60598. Meets or exceeds UL924 and NFPA 101 standards. Meets or exceeds CSA and NRCAN requirements. NSF2 Splash/Non-Food Zone.



ORDERING INFORMATION (Ex: METEDU-MW-R-REF-DT)

Model	Finish	Legend Color	Legend Option	Voltage	Options	Accessories
METEDU						
Finish	Legend Options		Options		Accessories	
MB Matte Black	RSC AREA OF RESCUE ASSISTANCE (with symbol of Accessibility)		CEL Cold Weather Emergency Battery Pack		LP Laser Pointer	
MW Matte White	REFA AREA OF REFUGE (with symbol of Accessibility)		EL Standard Emergency Battery Pack		9500 Torx® with center pin Screwdriver	
Legend Color	REF AREA OF REFUGE		XAC Auxiliary AC Supply (matches voltage selection)			
R Red	STA STAIRS (with field adjustable directional indicators)		XDC Auxiliary DC Supply (6-24 volts)			*n/a with NSF2 listing
G Green	Voltage		TR* Tamper Resistant Torx® with center pin Fasteners			
	DT 120/277 Volts					
	DTC 120/347 Volts					

DIMENSIONAL DATA



RSC- Area of Rescue Assistance	1.63
REFA- Area of Refuge	1.63
REF - Area of Refuge	2.00
STA- Stairs	3.00

See appropriate building codes for viewing distance and mounting height of signage based on the character height listed.



www.kenall.com | P: 800-4-Kenall | F: 262-891-9701 | 10200 55th Street Kenosha, Wisconsin 53144, USA

A brand of **legrand**

This product complies with the Buy American Act: manufactured in the United States with more than 50% of the component cost of US origin. It may be covered by patents found at www.kenall.com/patents. Content of specification sheets is subject to change; please consult www.kenall.com for current product details. ©2019 Kenall Mfg. Co.