

MILLENIUM METREX™

METEC SERIES

PRODUCT FEATURES:

- » Surface wall mount – Single Face
- » Indirect Red or Green LED
- » Exit/Emergency combo unit
- » High impact polycarbonate construction



PROJECT INFORMATION

Job Name _____

Fixture Type _____

Catalog Number _____

Approved by _____

SPECIFICATIONS

HOUSING: High impact, injection molded polycarbonate. Housing provided with four-point mounting holes, one wireway hole and temporary junction box mounting drill points – see Cross Section/Details. Closed cell die-cut Neoprene gasket seals housing to mounting surface.

SHIELD: UV-stabilized, high impact, injection molded clear polycarbonate. Nominal thickness .120". Captive stainless steel Torx® with center pin fasteners secure shield to housing. Continuous closed cell silicone gasket seals shield to housing.

LEGEND: Legend illuminated by internal high output LEDs. Lettering six inches high with .750" stroke. Polycarbonate red or green filter panels. High impact, injection molded polycarbonate stencil and field selectable chevron inserts.

ELECTRICAL: 624 nm Red or 527 nm Green LED light source. Electrical components mounted to removable chassis. Sealed nickel-cadmium Emergency Battery Pack with standard deep cycle battery conditioning, self test and self diagnostic circuitry, remote laser activated test switch, protected mechanical test switch and status indicator. Suitable for 10°C to 45°C (50°F to 113°F). Cold Weather Emergency Battery Pack (CL) suitable for -30°C to 45°C (-22°F to 113°F). Remote Exit Ready – can power one Kenall METSS Satellite Exits. Can also power Kenall METER Emergency Remote Unit(s); selected total lamps – including all remotes – cannot exceed unit output rating; consult Output Rating chart

INSTALLATION: Standard four-point mounting required for Peace of Mind Guarantee®. Drill points provided for optional surface conduit entry.

LISTINGS: UL and CUL listed for Wet Location. UL certified IP64 per IEC 60598. Meets or exceeds UL924 and NFPA 101 standards. Meets or exceeds CSA and NRCAN requirements.



ORDERING INFORMATION (Ex: METEC-24N-MW-R-2-6.5L-120)

Model	Battery Capacity	Finish	Legend Color	Lamp Qty	Lamp Watt/Type	Voltage	Options	Accessories
METEC					6.5L			

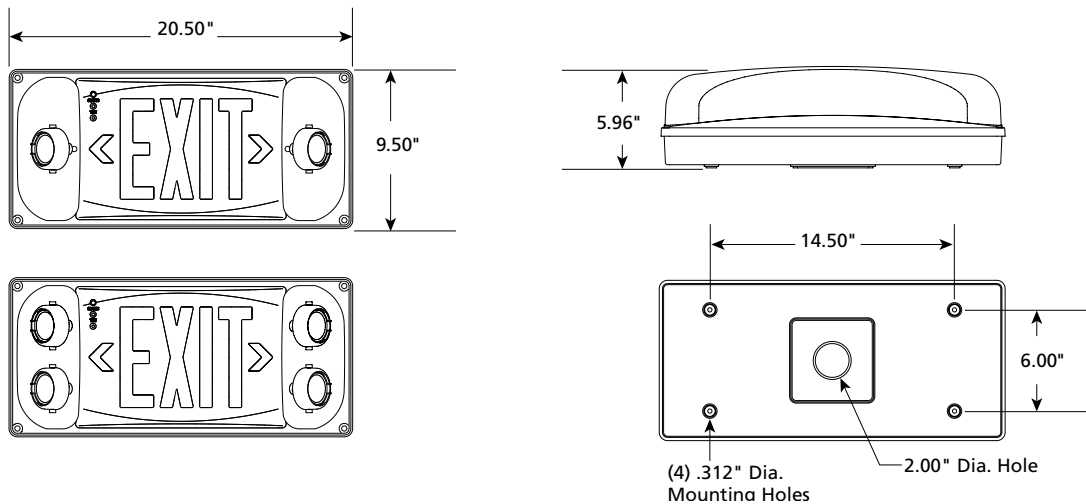
Battery Capacity	Finish	Legend Color	Lamp Wattage/Type*	Options
24N 24W Nickel Cadmium	MB Matte Black	R Red	6.5L 6.5W LED	CEL Cold Weather Emergency Battery Pack
40N 40W Nickel Cadmium	MW Matte White	G Green		PH Phillips Head Fasteners
		Lamp Quantity	Voltage	Accessories
		2 2 Internal Lamps	120 120 Volts	LP Laser Pointer
		4 4 Internal Lamps	DT 120/277 Volts	9500 Torx® with center pin Screwdriver
			DTC 120/347 Volts	

Maximum Lamp Quantity						
Battery	½ hr	1 hr	1½ hr	2 hr	3 hr	4 hr
24N	5	5	3	2	--	--
40N	5	5	5	4	3	2

Remote distances based on wire gauge

*Total lamps cannot exceed unit output rating. Consult Output Rating Chart on left.

DIMENSIONAL DATA



www.kenall.com | P: 800-4-Kenall | F: 262-891-9701 | 10200 55th Street Kenosha, Wisconsin 53144, USA

A brand of **legrand**

This product complies with the Buy American Act: manufactured in the United States with more than 50% of the component cost of US origin. It may be covered by patents found at www.kenall.com/patents. Content of specification sheets is subject to change; please consult www.kenall.com for current product details. ©2019 Kenall Mfg. Co.