

MEDMASTER DOWNLIGHT

Luminaires for Medical Applications

MDL4 SERIES using Indigo-Clean Technology

PROJECT INFORMATION

Job Name _____

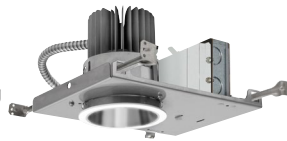
Fixture Type _____

Catalog Number _____

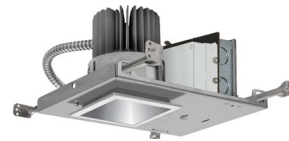
Approved by _____

PRODUCT FEATURES:

- » 4" sealed, recessed downlight with round or square aperture
- » Provides on-demand environmental disinfection via LED light
- » Single, white disinfection mode
- » Independent laboratory tested to kill harmful bacteria, including Staph*, such as MRSA**
- » Delivered lumens: 1,592 - 1,946 lm



Round



Square

SPECIFICATIONS

HEAT SINK: Die-cast aluminum with external radial fins for natural convection.

ROUGH-IN FRAME: 18-gauge die-formed, corrosion-resistant steel. Vertically adjustable collar accommodates ceiling thicknesses up to 2", adjustable post-installation. Adjustable mounting bars for installation with wood and steel frame joists and T-grid ceiling systems spaced up to 24" on center. Quick-access junction box accessible post-installation from above and below ceiling. Includes (5) 1/2" knock-outs to allow straight conduit runs.

TRIM/HOUSING SECTION: IP-rated housing section incorporates the heat sink, LED module, optics and lower trim. Trim that is secured to the Rough-In frame with hidden torsion springs. Anti-microbial finish standard on all exposed painted surfaces.

OPTICAL: High-efficiency mixing chamber design with regressed diffused tempered-glass lens produces uniform light output. Round or square aperture. Available with various reflector finishes. See Reflector Finish Ordering Information for available options.

ELECTRICAL: Single, white disinfection mode. Serviceable white and 405nm Indigo LED array. Available 3200K, 3700K and 4300K color temperature with 3-step MacAdam variation allowance. Minimum 82 CRI standard. 120, 277 and 347VAC, 50/60Hz electrical input with serviceable high power factor electronic, constant-current drivers (<10% THD, >0.90 PF). Minimum 85% driver efficiency. Standard 0-10V dimming with 1-100% range and dim-to-dark capabilities (non dim-to-dark with 347V); 165µA maximum source current. Optional eldoLED ECOdrive DALI driver with 1-100% range and Lutron Hi-Lume 1% EcoSystem LED driver with Soft-on, Fade-to-Black dimming technology.

PHOTOMETRICS: Photometry tested to the IESNA LM-79-08 standard by an ILAC/ISO17025 accredited laboratory. For photometric information, go to www.kenall.com.

WARRANTY: Limited five (5) year LED warranty.

LISTINGS: Luminaire is certified to UL standards by Intertek Testing Laboratory for non-IC and Wet Location installations. IP64 rating per IEC60598. NSF2 Splash/Non-Food Zone. Optional CCEA compliant. EPA Est. No. 99283-WI-1.

* Per independent lab report #5GS-09S17036476. Contact Kenall for a copy of this report.

**Antimicrobial Activity of a Continuous Visible Light Disinfection System by Rutala, et. al, ID Week 2016.



ORDERING INFORMATION (EX: MDL4-DCFW-22C-37K8-FW-RIG4-120-DIM1)

TRIM

Model	Trim Finish	Lamp Power	Lamp Color	Reflector Finish
-------	-------------	------------	------------	------------------

DCFW

22C

Model
MDL4 4" Medical - Round
MDL4S 4" Medical - Square

Trim Finish
DCFW Die-Cast Aluminum in Flat White

Lamp Power
22C 22 Watt White & Indigo LED

Lamp Color
32K8 3200K / 80 CRI min.
37K8 3700K / 80 CRI min.
43K8 4300K / 80 CRI min.

Reflector Finish
FW Flat White
CD Clear Diffuse
CSS Clear Semi-Specular (round only)

ROUGH-IN

Rough-In	Input Voltage	Driver Type	Options
----------	---------------	-------------	---------

Rough-In
RIG4 4" Medical Rough-In - Round
RIG4S 4" Medical Rough-In - Square

Input Voltage
120 120VAC, 50/60Hz
277 277VAC, 50/60Hz
347▲ 347VAC, 60Hz

Driver Type
DIM1 0-10V Dimming to 1%
DALI DALI Dimming to 1%
ECO1 Lutron Hi-Lume 1% EcoSystem®

Options
LEL Emergency Battery Backup with Remote Test Switch
FS Fuse & Holder
CCEA CCEA Approved

▲ N/A with DALI or ECO1 Driver Type. N/A with LEL option



www.kenall.com | P: 800-4-Kenall | F: 262-891-9701 | 10200 55th Street Kenosha, Wisconsin 53144, USA

A brand of **legrand**

This product complies with the Buy American Act: manufactured in the United States with more than 50% of the component cost of US origin. It may be covered by patents found at www.kenall.com/patents. Content of specification sheets is subject to change; please consult www.kenall.com for current product details. ©2019 Kenall Mfg. Co.

MEDMASTER DOWNLIGHT

Luminaires for Medical Applications

MDL4 SERIES using Indigo-Clean Technology

PERFORMANCE

Optic		Lamp Power	Initial Delivered Lumens, By Lamp Color			Input Power (W)	Estd. L70 LED Life (hrs)
Reflector	Reflector Finish		32K8	37K8	43K8		
Round	CD	22C	1,592	1,592	1,695	24	75,000
	CSS	22C	1,690	1,690	1,800	24	75,000
	FW	22C	1,765	1,765	1,879	24	75,000
Square	CD	22C	1,694	1,694	1,804	24	75,000
	FW	22C	1,828	1,828	1,946	24	75,000

Subject to change without notice. Visit www.kenall.com for ies files and additional information.

Round Aperture Candela Curve	MDL4-DCFW-22C-37K8-FW		Distance to illuminated plane (ft)	MDL4S-DCFW-22C-37K8-FW		Square Aperture Candela Curve
	Initial center beam foot-candles	Beam diameter (ft)		Initial center beam foot-candles	Beam diameter (ft)	
	31.0	4.2	5'	29.9	4.3	
	21.5	5.3	6'	20.7	5.5	
	15.8	6.2	7'	15.2	6.8	
	12.1	7.0	8'	11.7	7.7	
	9.6	8.0	9'	9.2	8.6	
	7.8	8.9	10'	7.5	9.6	
Spacing Criteria: 0.88	foot-candle multipliers for 30K8(.96), 30K9(.80), 35K8(.96), 35K9(.81), 40K9(.81), 50K8(1.0)					Spacing Criteria: 0.92
Beam Angle: 57.1	Beam diameter is where foot-candles drop to 50% of maximum					Beam Angle: 58.6

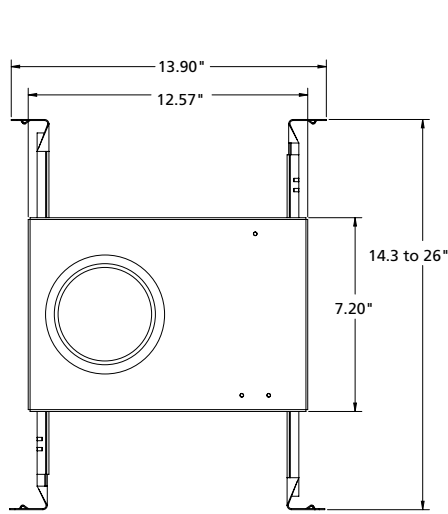
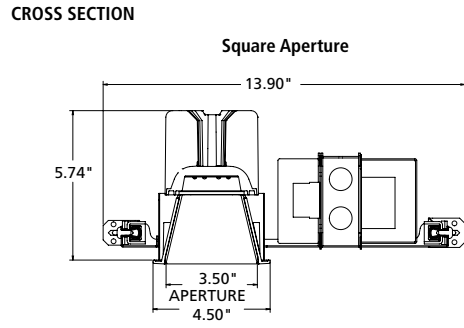
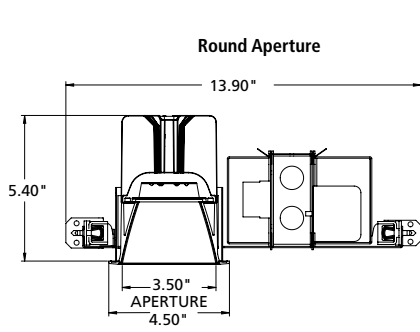


MEDMASTER DOWNLIGHT

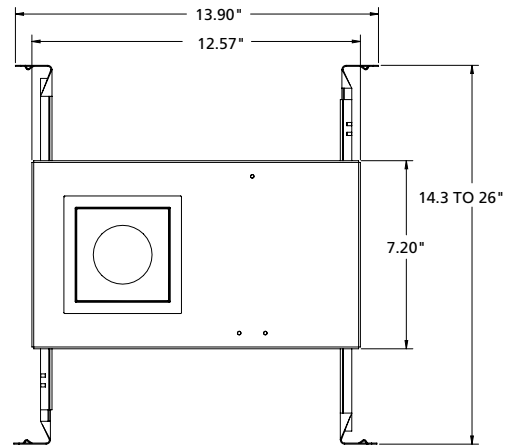
Luminaires for Medical Applications

MDL4 SERIES using Indigo-Clean Technology

DIMENSIONAL DATA



RECOMMENDED CEILING CUTOUT: 4.125" DIA.



RECOMMENDED CEILING CUTOUT: 4.125" x 4.125"



www.kenall.com | P: 800-4-Kenall | F: 262-891-9701 | 10200 55th Street Kenosha, Wisconsin 53144, USA

A brand of **legrand**

This product complies with the Buy American Act: manufactured in the United States with more than 50% of the component cost of US origin. It may be covered by patents found at www.kenall.com/patents. Content of specification sheets is subject to change; please consult www.kenall.com for current product details. ©2019 Kenall Mfg. Co.

MDL4-ICT-010521