

# MEDMASTER SOFTSTEP CONTOUR™ STEPLIGHTS

## Semi-Recessed Steplight

### MCSL SERIES – DIECAST

#### PRODUCT FEATURES:

- » Semi-recessed wall mount
- » Oval or Rectangle available in horizontal or vertical orientation
- » ADA compliant
- » Amber, White or Blue LED lamp options
- » Lumen output adjustable to 100%, 50% and 25% levels



VO



HO



VR



HR

#### PROJECT INFORMATION

Job Name \_\_\_\_\_

Fixture Type \_\_\_\_\_

Catalog Number \_\_\_\_\_

Approved by \_\_\_\_\_

#### SPECIFICATIONS

**HOUSING:** Die-cast aluminum. TGIC polyester powder coat finish – 5-stage pre-treatment. Salt spray test: 1,000 hours. Antimicrobial finish on all exposed components of installed luminaire. See Ordering Information for finish options.

**REFLECTOR:** Die cast aluminum reflector with integral heat sink.

**LENS:** UV-stabilized, high-impact resistant injection molded pearlescent polycarbonate.

**MOUNTING PLATE:** Die formed corrosion resistant steel.

**ELECTRICAL:** 120-277VAC, 50/60 Hz Maximum input power 3.8 watts. LED light source available in warm white (ANSI 2700K), neutral white (ANSI 4000K), amber (600nm), or blue (470nm). Lumen output adjustable to 100%, 50%, and 25% at time of maintenance or installation. Factory pre-set at 50% dimming level (1.5 watts).

**PHOTO CONTROL OPTION:** Control circuit shall switch on LED light source when ambient light levels fall below 5fc ± 2.5fc and switch off when light levels are above 15fc ± 5fc. Performance may vary depending on location of ambient light sources/windows, room finishes, surrounding objects and fixture lumen output setting.

**INSTALLATION:** Standard installation requires the back plate to be mounted to a NEMA single-gang junction box (supplied by others). See junction box accessories on page 3 for adjustable thru-wall and single-sided applications. See [SoftStep Contour Junction Box Accessories Tech Sheet](#) for application details. Recommended mounting height is 14" from floor to center of luminaire.

**PHOTOMETRICS:** Photometry tested to the IESNA LM-79-08 standard by an ILAC/ISO17025 accredited laboratory. For additional photometric data, please go to [www.kenall.com](http://www.kenall.com).

**WARRANTY:** Limited five (5) year LED warranty.

**LISTINGS:** UL and CUL Listed for Wet Location. NSF2 Splash/Non-Food Zone. ADA Compliant. Optional UL certified IP64 per IEC 60598.



#### ORDERING INFORMATION (Ex: MCSL-VO-MW-2L35K-DV)

Model	Style	Finish	Lamp Type	Voltage	Options	Accessories
<b>MCSL</b>				<b>DV</b>		
	<b>Style</b> <b>VO</b> Vertical Oval <b>HO</b> Horizontal Oval <b>VR</b> Vertical Rectangle <b>HR</b> Horizontal Rectangle	<b>Finish</b> <b>MW</b> Matte White (Antimicrobial finish) <b>MB</b> Matte Black (Antimicrobial finish) <b>BE</b> Beige <b>BR</b> Bronze <b>CS</b> Cool Satin Painted Anodized <b>WS</b> Warm Satin Painted Anodized <b>CC</b> Custom Color (Consult Factory)	<b>Lamp Type</b> <b>2L27K</b> 2 Watt 2700K White LED <b>2L30K</b> 2 Watt 3000K White LED <b>2L35K</b> 2 Watt 3500K White LED <b>2L40K</b> 2 Watt 4000K White LED <b>2LAMB</b> 2 Watt Amber LED <b>2LBLU</b> 2 Watt Blue LED	<b>Voltage</b> <b>DV</b> 120-277 Volts	<b>Options</b> <b>BPC</b> † Photo Control <b>IP64*</b> IP64 Certified to IEC 60598 <b>SW</b> •† Rocker Switch	<b>Accessories</b> <b>DBX</b> Adjustable Thru-Wall Two-Sided Junction Box with Hangers (Requires two steplights per thru-wall junction box.) <b>LPBX</b> Single-sided Low Profile Single Gang Junction Box with Hangers <b>SBX</b> Single-Sided Standard Depth Single Gang Junction Box with Hanger

\* Must be selected for outdoor use.  
 • Not available with NSF2 listing. Dry location only.  
 † Rocker Switch and Photo Control can not be ordered together



www.kenall.com | P: 800-4-Kenall | F: 262-891-9701 | 10200 55th Street Kenosha, Wisconsin 53144, USA

A brand of legrand

This product complies with the Buy American Act: manufactured in the United States with more than 50% of the component cost of US origin. It may be covered by patents found at [www.kenall.com/patents](http://www.kenall.com/patents). Content of specification sheets is subject to change; please consult [www.kenall.com](http://www.kenall.com) for current product details. ©2019 Kenall Mfg. Co.

# MEDMASTER SOFTSTEP CONTOUR™ STEPLIGHTS

## Semi-Recessed Steplight

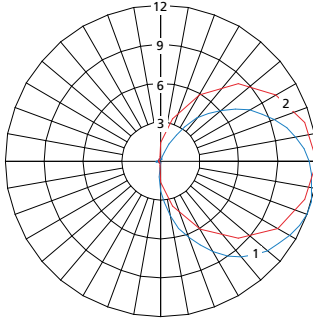
### MCSL SERIES – DIECAST

#### PERFORMANCE

Output	Lamp Type	Initial Delivered Lumens		Input Power (W)	Drive Current (mA)	Estd. L70 LED Life (hrs)
		@ 25°C (lm)	Efficacy (lm/W)			
100%	2L35K	38	12	3.3	300	100,000
50%	2L35K	17	13	1.3	150	125,000
25%	2L35K	5	10	0.5	75	150,000

Displayed information above is for the horizontal oval (MCSL-HO) luminaires only. Info subject to change. Visit [www.kenall.com](http://www.kenall.com) for IES files and additional information.

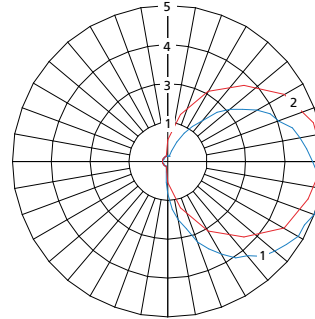
Model: MCSL-HO-MW-2LXXK 100%



Max Candela = 12 Located At Horizontal Angle = 0, Vertical Angle = 70

- 1 - Vertical Plane Through Horizontal Angles (0 - 180) (Through Max. Cd.)
- 2 - Horizontal Cone Through Vertical Angle (70) (Through Max. Cd.)

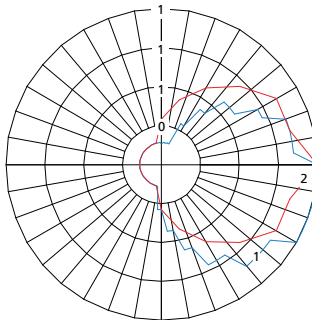
Model: MCSL-HO-MW-2LXXK 50%



Max Candela = 5 Located At Horizontal Angle = 0, Vertical Angle = 70

- 1 - Vertical Plane Through Horizontal Angles (0 - 180) (Through Max. Cd.)
- 2 - Horizontal Cone Through Vertical Angle (70) (Through Max. Cd.)

Model: MCSL-HO-MW-2LXXK 25%



Max Candela = 1 Located At Horizontal Angle = 0, Vertical Angle = 60

- 1 - Vertical Plane Through Horizontal Angles (0 - 180) (Through Max. Cd.)
- 2 - Horizontal Cone Through Vertical Angle (60) (Through Max. Cd.)

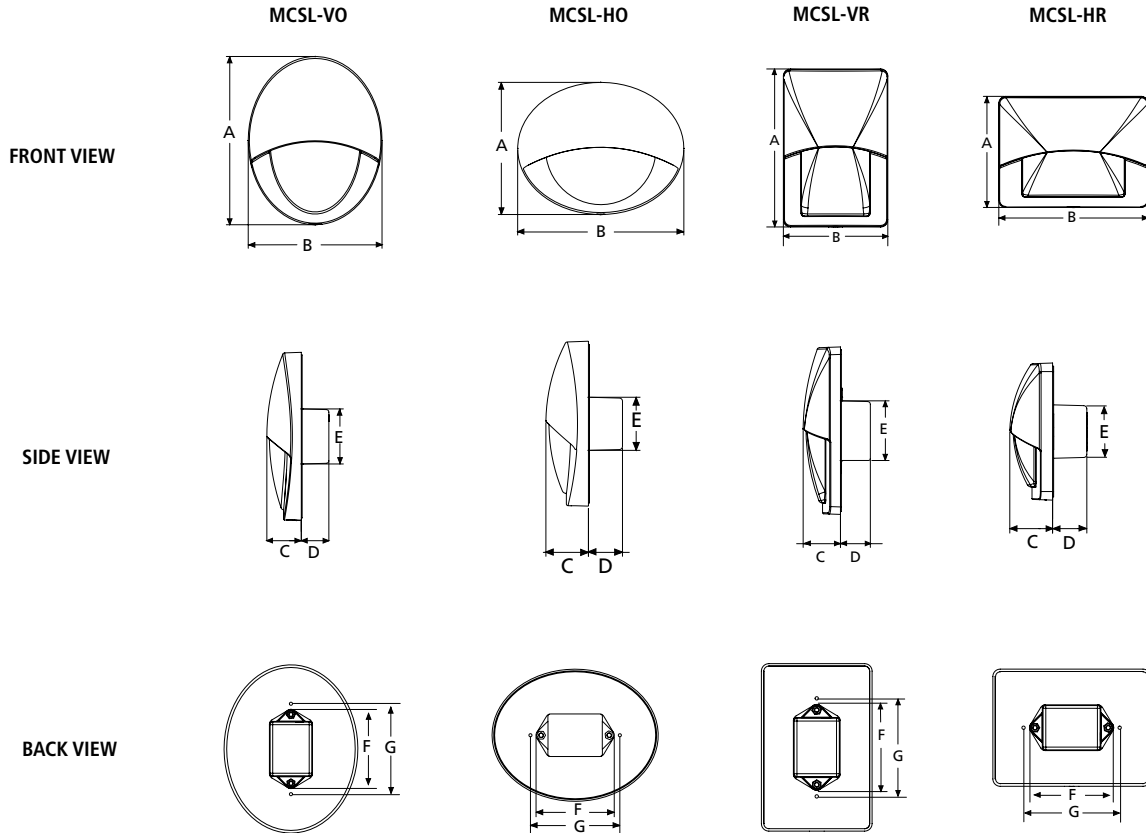


# MEDMASTER SOFTSTEP CONTOUR™ STEPLIGHTS

Semi-Recessed Steplight

## MCSL SERIES – DIECAST

### DIMENSIONAL DATA



DIMENSIONAL DATA (IN INCHES)									
	A	B	C	D	E	F	G	H	I
VO	6.10	4.85	1.25	1.00	2.00	2.87	3.28	2.37	4.25
HO	4.85	6.10	1.25	1.00	1.56	2.87	3.28	4.25	2.37
VR	5.60	3.70	1.25	1.00	2.00	2.87	3.28	2.37	4.25
HR	4.00	5.38	1.25	1.00	1.56	2.87	3.28	4.25	2.37

RECOMMENDED WALL CUT-OUT	
	HEIGHT x WIDTH
VO	4.25 x 2.37
HO	2.37 x 4.25
VR	4.25 x 2.37
HR	2.37 x 4.25

