

MEDMASTER® CEILING ROUND TROFFER

Architectural Luminaires for Healthcare Applications

MCRT SERIES

PRODUCT FEATURES:

- » 24" Round shape provides a differentiated aesthetic to a variety of healthcare lighting applications
- » Full backlit LED array and high diffusion lens provides uniformly-lit appearance
- » Standard IP64 and NSF2 rating without visible room-side fasteners
- » Extruded aluminum trim ring available in various color finishes
- » Suitable for recessed T-grid ceilings with minimal plenum ingress
- » Optional low-voltage controller (LVC) for patient room lighting control
- » Click [here](#) for Indigo-Clean Technology model



SPECIFICATIONS

HOUSING: Fabricated 20ga CRS housing with white TGIC polyester powder-coat finish and five-stage pre-treatment. Roll-formed and butt-welded 6063-T5 aluminum extruded collar for door attachment, finished in selected color option using TGIC polyester powder with five-stage pre-treatment.

DOOR ASSEMBLY: Roll-formed and butt-welded 6063-T5 extruded aluminum with TGIC polyester powder-coat finish in selected color, with five-stage pre-treatment. Secured to housing with two internal torsion springs. Closed cell silicone gasketing seals doorframe to housing. High-efficiency diffused, impact-resistant acrylic lens is secured and sealed to doorframe.

LED MODULE: Serviceable mid-power LED array. Standard 80CRI min. (R9>0) with optional 90CRI min. (R9>50). See Ordering Information for available color temperature options. Optional nightlight in 590nm native amber or 2700K, 80CRI white.

DRIVER: 120-277VAC or 347VAC, 50/60Hz electrical input with serviceable constant-current driver (<20% THD, >0.90 PF). Minimum 85% driver efficiency. Standard 0-10V dimming with 1-100% range and dim-to-dark capabilities (non dim-to-dark with 347V); maximum 165 µA maximum source current. Optional eldoLED ECoDrive DALI drivers with 1-100% range.

CONTROLS: Optional LVC and LVCD provides a low-voltage patient interface, controlling the lamp source and optional night light with (LVCD) and without (LVC) dimming control.

INSTALLATION: Suitable for Type-IC recessed ceiling installation into 9/16" and 15/16" lay-in and regular grid ceilings. Swing-out arms allow for securing of housing to grid structure. Ceiling tile cutout template provided. Ceiling tile by others.

PHOTOMETRICS: Photometry tested to the IESNA LM-79-08 standard by an ILAC/ISO17025 accredited laboratory. For detailed photometric information, please visit www.kenall.com.

WARRANTY: Limited five (5) year warranty.

LISTINGS: Luminaire is certified to UL standards by Intertek Testing Laboratories for Type-IC and Wet Location installations. IP64 rating per IEC60598. NSF2 Splash/Non-Food Zone rated. Standard CCEA compliance.



ORDERING INFORMATION (Ex: MCRT-22-G-MW-62L-35K8-DIM1-DV-NLW-LVCD)

Model	Size	Ceiling Type	Finish	Lamp Power	Lamp Color	Driver Type	Voltage	Options
MCRT	22	G						
Nominal Size		Lamp Color		Options				
22	2' Diameter	30K8 3000K / 80 CRI min.		LEL* Integral 10W Emergency Battery Backup				
Ceiling Configuration		30K9 3000K / 90 CRI min.		FS Fuse & Holder				
G	9/16" and 15/16" Grid	35K8 3500K / 80 CRI min.		LVC* Low Voltage Controller (click here for specifications, DIM1 only)				
Finish - Room-Side		35K9 3500K / 90 CRI min.		LVCD* Low Voltage Controller with Dimming (click here for specifications, DIM1 only)				
GW	Anti-Microbial Gloss White	40K8 4000K / 80 CRI min.		NLW* 2700K White LED Night Light				
MW	Anti-Microbial Matte White	40K9 4000K / 90 CRI min.		NLA* Amber LED Night Light				
CS	Cool Satin Painted Anodized	Driver Type						
WS	Warm Satin Painted Anodized	DIM1 0-10V Dimming to 1%						
Lamp Power		DALI* DALI Dimming to 1%						
28L	28 Watt LED	Input Voltage						
38L	38 Watt LED	DV 120-277VAC, 50/60Hz						
48L	48 Watt LED	347 347VAC, 60Hz						
62L	62 Watt LED							

ACCESSORIES ORDERED SEPARATELY
MPWS Low Voltage Wall Switch (Click [here](#) for Specifications)



MEDMASTER® CEILING ROUND TROFFER

Architectural Luminaires for Healthcare Applications

MCRT SERIES

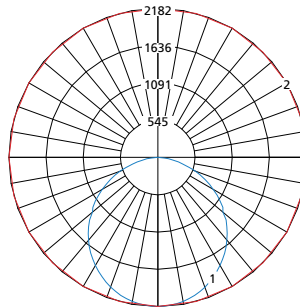
For additional photometry, go to www.kenall.com

PERFORMANCE

Size	Lamp Power	Initial Delivered Lumens, By Lamp Color						Efficacy (lm/W)	Input Power (W)	TM-21 Reported L70 (hrs)
		30K8	30K9	35K8	35K9	40K8	40K9			
2' Diameter	28L	3,507	2,951	3,556	2,999	3,677	3,096	100 - 124	30	>72,000
	38L	4,797	4,036	4,863	4,102	5,028	4,234	99 - 123	41	
	48L	5,856	4,927	5,937	5,008	6,139	5,170	96 - 120	51	
	62L	7,368	6,199	7,469	6,301	7,724	6,504	93 - 116	67	

Information subject to change without notice. Visit www.kenall.com for .ies files and additional information

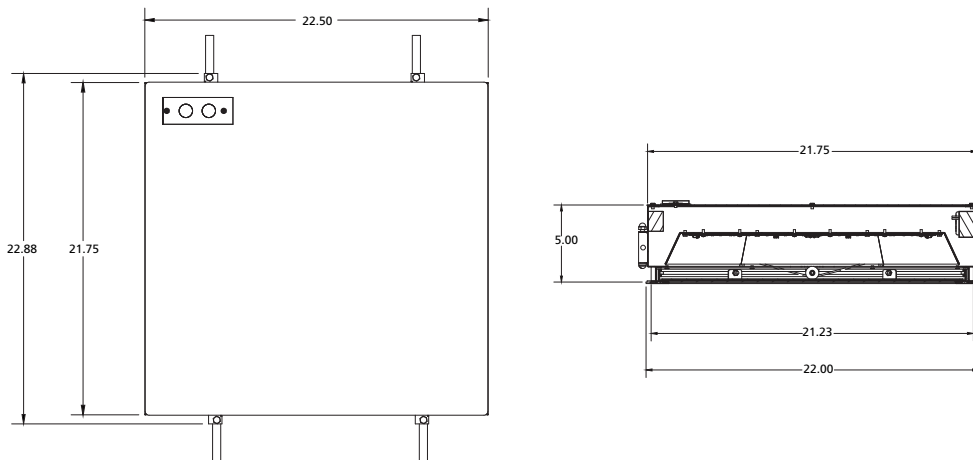
Model: MCRT-22-G-xx-48L-40K8-DIM1-yyy.zzzz



Maximum Candela = 2182 Located At Horizontal Angle = 0, Vertical Angle = 0

- 1 - Vertical Plane Through Horizontal Angles (0-180) (Through Max. Cd.)
- 2 - Horizontal Cone Through Vertical Angle (0) (Through Max. Cd.)

DIMENSIONAL DATA



www.kenall.com | P: 800-4-Kenall | F: 262-891-9700 | 10200 55th Street Kenosha, Wisconsin 53144, USA

A brand of **legrand**

This product complies with the Buy American Act: manufactured in the United States with more than 50% of the component cost of US origin. It may be covered by patents found at www.kenall.com/patents. Content of specification sheets is subject to change; please consult www.kenall.com for current product details. ©2022 Kenall Mfg. Co.

MCRT-041323