

# MEDMASTER AURACYL™ SCONCE

## Patient Room Luminaires

### MAS SERIES

#### PRODUCT FEATURES:

- » Surface wall mount – 8" x 26"
- » Sealed marine-grade extruded aluminum
- » Sealed backlighting creates a pleasing visual accent and NSF2 listing
- » Standard antimicrobial finish for cleanability



#### PROJECT INFORMATION

Job Name \_\_\_\_\_

Fixture Type \_\_\_\_\_

Catalog Number \_\_\_\_\_

Approved by \_\_\_\_\_

#### SPECIFICATIONS

**HOUSING:** Marine grade extruded aluminum. Marine grade die-cast aluminum end caps. TGIC polyester powder coat – 5-stage pre-treatment; Salt spray test: 1,000 hours. Antimicrobial finish standard on exposed painted aluminum surfaces of installed luminaire.

**REFLECTOR:** Die-formed marine grade aluminum. Full reflector/wire cover – 92% reflectivity.

**DECORATIVE OUTER LENS:** Acrylic translucent white lens standard. Nominal thickness .125". Optional decorative Lumicor® resins – see Ordering Information.

**INNER LENS:** UV-stabilized, high impact resistant, extruded 100% DR acrylic frost lens. Nominal thickness .100". Lens secured in place by lens frame.

**HARDWARE:** One stainless steel Phillips head fastener standard. Four stainless steel Phillips head fasteners with IP64 option. Internal brackets and fasteners are non-corrosive.

**ELECTRICAL:** Available 3500K, 4000K and 5000K color temperatures, 82 CRI. 120-277VAC, 50/60Hz electrical input with serviceable high power factor electronic, constant-current driver (<20% THD, >0.95 PF). Standard 0-10V dimming with 1-100% range, maximum driver source of 200 µA. Consult factory for fluorescent option.

**INSTALLATION:** Standard four-point mounting required.

**PHOTOMETRICS:** Photometry tested to the IESNA LM-79-08 standard by an ILAC/ISO17025 accredited laboratory. For additional photometric information, go to [www.kenall.com](http://www.kenall.com).

**WARRANTY:** limited five (5) year warranty.

**LISTINGS:** UL and CUL listed for Damp Location – covered ceiling and wall mount. NSF2 Splash/Non-Food Zone. ADA Compliant. Optional IP64 certified per IEC 60598. Kenall certifies product by both Underwriters and Intertek Testing Laboratories.



#### ORDERING INFORMATION (Ex: MAS826-PAN-AS-CS-25L40K-DCC-DV)

Model	Frame Type	Outer Lens	Finish	Lamp-Driver-Voltage	Options
<b>MAS826</b>	<b>PAN</b>				
<b>Frame Type</b>			<b>Finish</b>		
<b>PAN</b> Pane <b>AS</b> Frosted Acrylic <b>CAP</b> Clear Acrylic w/Inner Perforation painted to match housing/frame finish <b>NL*</b> Acrylic Natural Leaf <b>SS*</b> Acrylic Silver Spun <b>OL*</b> Acrylic Oyster Linen <b>PL**</b> PETG Paper Leaf			<b>BE</b> Beige <b>BR</b> Bronze <b>CS</b> Cool Satin Painted Anodized <b>DB</b> Dark Bronze <b>MB</b> Matte Black (Antimicrobial finish) <b>MW</b> Matte White (Antimicrobial finish) <b>WS</b> Warm Satin Painted Anodized <b>CC</b> Custom Color (Consult factory)		
			<b>Lamp-Driver-Voltage Type</b>		
			<b>25L35K-DCC-DV</b> 25 Watt 3500K LED <b>25L40K-DCC-DV</b> 25 Watt 4000K LED <b>25L50K-DCC-DV</b> 25 Watt 5000K LED		
			<b>Options</b>		
			<b>IP64</b> IP64 certified to IEC 60598 <b>FS</b> Single Fuse & Holder		

\*Lumicor® Lumiclear™ Acrylic Resin

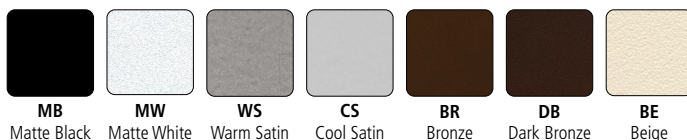
\*\*Lumicor® Lumiform™ PETG Resin

Lumicor® is a registered trademark of Lumicor, Inc., the leader in encapsulated resin technology. All Rights Reserved.

#### DECORATIVE OUTER LENS



#### FRAME FINISH



[www.kenall.com](http://www.kenall.com) | P: 800-4-Kenall | F: 262-891-9701 | 10200 55th Street Kenosha, Wisconsin 53144, USA

This product complies with the Buy American Act: manufactured in the United States with more than 50% of the component cost of US origin. It may be covered by patents found at [www.kenall.com/patents](http://www.kenall.com/patents). Content of specification sheets is subject to change; please consult [www.kenall.com](http://www.kenall.com) for current product details. ©2019 Kenall Mfg. Co.

A brand of **legrand**

# MEDMASTER AURACYL™ SCNCE

## Patient Room Luminaires

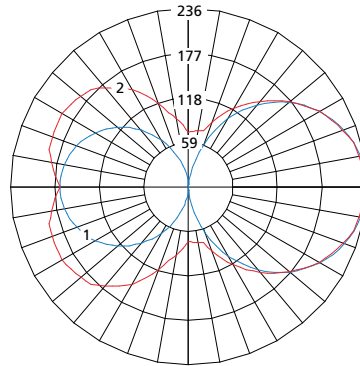
### MAS SERIES

#### PERFORMANCE

Lamp Type	Initial Delivered Lumens		Input Power (W)	Drive Current (mA)	Estd. L70 LED Life (Hrs)
	@ 25°C (lm)	Efficacy (lm/W)			
25L35K	1369	47	29	94	80,000
25L40K	1460	50	29	94	80,000
25L50K	1518	52	29	94	80,000

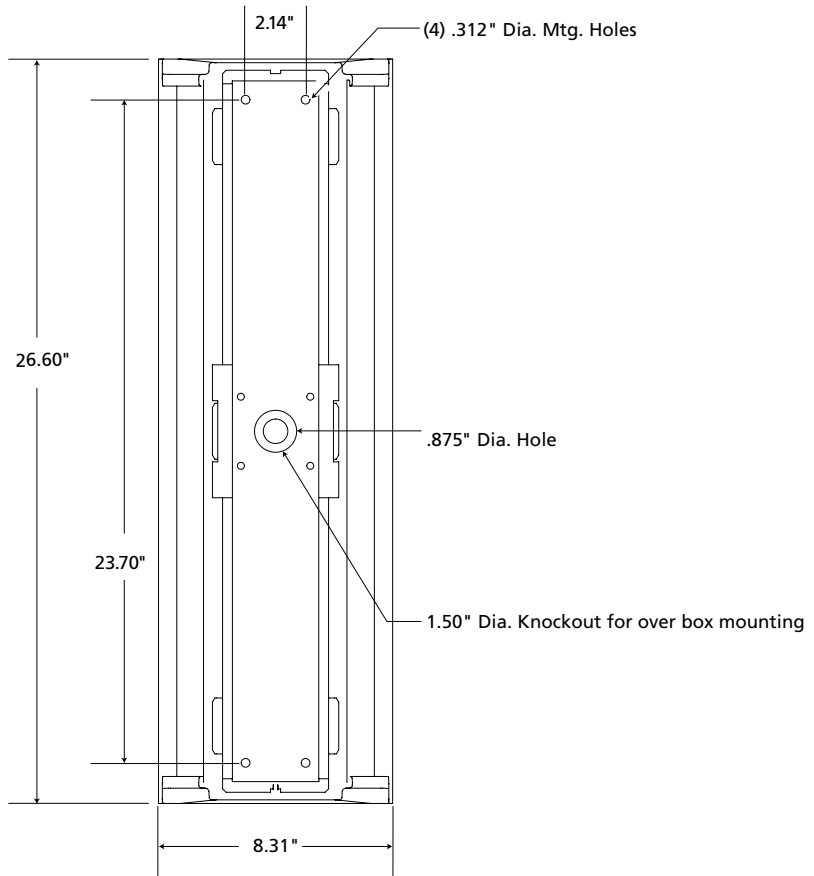
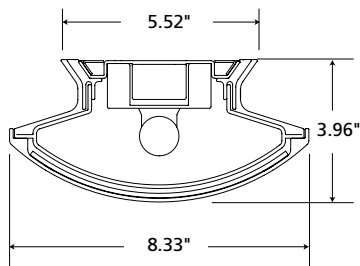
Displayed information above is for PP Lens type only. Info subject to change. Visit [www.kenall.com](http://www.kenall.com) for IES files and additional information.

Model: MAS826-AS-MW-25L40K-DV



Maximum Candela = 236 Located At Horizontal Angle = 0, Vertical Angle = 90  
 1 - Vertical Plane Through Horizontal Angles (0-180) (Through Max. Cd.)  
 2 - Horizontal Cone Through Vertical Angle (90) (Through Max. Cd.)

#### DIMENSIONAL DATA



[www.kenall.com](http://www.kenall.com) | P: 800-4-Kenall | F: 262-891-9701 | 10200 55th Street Kenosha, Wisconsin 53144, USA

A brand of Legrand

This product complies with the Buy American Act: manufactured in the United States with more than 50% of the component cost of US origin. It may be covered by patents found at [www.kenall.com/patents](http://www.kenall.com/patents). Content of specification sheets is subject to change; please consult [www.kenall.com](http://www.kenall.com) for current product details. ©2019 Kenall Mfg. Co.