

MEDMASTER® MEDSLOT™

Multi-Function Luminaires for Patient Rooms

MAERS4 SERIES

PRODUCT FEATURES:

- » 4" x 48" recessed linear slot luminaire for paired, over-bed lighting
- » Provides ambient, exam and reading modes within a seamless design
- » High-output, high-CRI LED lamp sources
- » No visible room-side fasteners for clean aesthetic
- » Fixture must be specified and ordered in pairs
- » Standard IP64 and NSF2 ratings for cleanability and ingress-protection



PROJECT INFORMATION

Job Name _____

Fixture Type _____

Catalog Number _____

Approved by _____

SPECIFICATIONS

HOUSING: Extruded 6063-T5 aluminum construction with aluminum endcaps. Low-gloss anti-microbial white TGIC polyester powder coat finish with five-stage pre-treatment. Silicone gasketing throughout.

OPTIC: Standard 20° asymmetric distribution for all functions. Must specify Left- and Right-Throw for offset paired mounting over bed. Snap-in, one-piece extruded frost DR acrylic diffuser.

LED MODULE: Serviceable mid-power LED array. See Ordering Information for available color temperature options. Minimum 82 CRI standard (R9>20) with 90 CRI optional.

DRIVER: 120-277VAC, 50/60Hz electrical input with serviceable constant-current drivers (<20% THD, >0.90 PF). See 'CONTROL' for dimming information. Minimum 85% driver efficiency.

CONTROL: Integrated low-voltage controller with dimming (MLVCD) for pillow-switch/wall-control of ambient, exam and reading modes. Master-Satellite arrangement for paired installations. "Ambient" mode operates the primary light engine at 50% output. A sustained button press on the wall/bed controller sweeps light intensity (dimming) from 50% down to 0% (bi-directionally). "Exam" mode operates the primary light engine at 100% output. Dimming is not possible in "Exam mode." "Reading" mode operates an integral secondary light engine positioned nearest the headwall. A sequential button press and hold on the wall/bed controller changes intensity in the order of 0%/33%/66%/100%/0%. Optional secondary conduit entry available.

INSTALLATION: Suitable for Type-IC recessed ceiling installation into 9/16" and 15/16" lay-in and regular grid ceilings, flanged drywall ceilings and trimless mud-in installations with 5/8" drywall. See Ordering Information for Ceiling Type selection. Suitable for 0°C - 40°C ambient temperature environments.

PHOTOMETRICS: Photometry tested to the IESNA LM-79-08 standard by an ILAC/ISO17025 accredited laboratory. For detailed photometric information, please visit www.kenall.com.

WARRANTY: Limited five (5) year warranty.

LISTINGS: Luminaire is certified to UL standards by Intertek Testing Laboratories for Type-IC and Wet Location installations. IP64 rating per IEC60598. NSF2 Splash/Non-Food Zone rated. Standard CCEA compliance.



ORDERING INFORMATION

(LEFT Ex: MAERS4-48-TG-LASYM-20L/50L/8L-35K8-DIM1-DV-MLVCD/M-F-8698)

(RIGHT Ex: MAERS4-48-TG-RASYM-20L/50L/8L-35K8-DIM1-DV-MLVCD/S-F-8698-LEL)

Model	Length	Ceiling Configuration	Optical Distribution	Lamp Power	Lamp Color	Driver Type	Voltage	Controls / Pairing	LVC Wiring	Options
Left MAERS4	48		LASYM			DIM1	DV	/M		
Right MAERS4	48		RASYM			DIM1	DV	/S		

Nominal Length
48 4'

Ceiling Configuration

G 9/16" and 15/16" Lay-In Grid
TG 9/16" and 15/16" Tegular Grid
FL Flange
TM Trimless Mud-In for 5/8" Drywall

Optical Distribution

RASYM Asymmetric, Right Throw
LASYM Asymmetric, Left Throw

Lamp Power

20L/50L 20W Ambient/50W Exam
20L/50L/8L 20W Ambient/50W Exam/8W Reading

Lamp Color

30K8 3000K / 80 CRI min.
30K9 3000K / 90 CRI min.
35K8 3500K / 80 CRI min.
35K9 3500K / 90 CRI min.
40K8 4000K / 80 CRI min.
40K9 4000K / 90 CRI min.

Driver Type

DIM1 0-10V Dimming to 1% (see Control description for detail)

Input Voltage

DV 120-277VAC, 50/60Hz

Controls (Selection Required)

MLVCD Low Voltage Controller with Dimming
MLVCD S Low Voltage Controller with Dimming and Secondary Conduit Entry

LVC Master/Satellite for Paired Installations^

M Paired Master-Control Luminaire
S Paired Satellite-Control Luminaire

LVC Wiring

F-8698 For 20L/50L
F-8697 For 20L/50L/8L

Options

LEL* Integral Emergency Battery Backup with Remote Test Button Fuse & Holder
FS Fuse & Holder

^ Paired installations shall be ordered with equal quantities of Type 'M' and 'S' units. AC power feed required to both. Lamp control originates from the LVC located in Master unit. Control wiring method between luminaires supplied by others.
 * LEL only available in Satellite (Right) unit.

ACCESSORIES ORDERED SEPARATELY

MPWS Low Voltage Wall Switch (Click [here](#) for Specifications)



www.kenall.com | P: 800-4-Kenall | F: 262-891-9701 | 10200 55th Street Kenosha, Wisconsin 53144, USA

This product complies with the Buy American Act: manufactured in the United States with more than 50% of the component cost of US origin. It may be covered by patents found at www.kenall.com/patents. Content of specification sheets is subject to change; please consult www.kenall.com for current product details. ©2022 Kenall Mfg. Co.

A brand of **legrand**

MAERS4-102522

MEDMASTER® MEDSLOT™

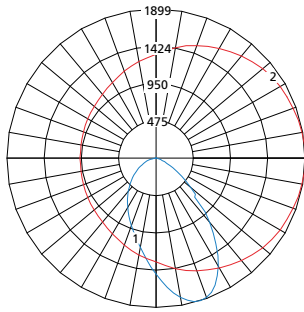
Multi-Function Luminaires for Patient Rooms

MAERS4 SERIES

PERFORMANCE		Initial Delivered Lumens, by Lamp Color (lm)						Efficacy (lm/W)	Input Power (W)	Estd. L70 LED Life (Hrs)
Function	Lamp Power	30K8	30K9	35K8	35K9	40K8	40K9			
Ambient	20L	3,022	2,480	3,092	2,540	3,059	2,603	86 - 108	29	80,000
Exam	50L	5,345	4,386	5,468	4,493	5,410	4,604	77 - 96	57	80,000
Reading	8L	957	785	979	804	969	824	76 - 95	10	80,000

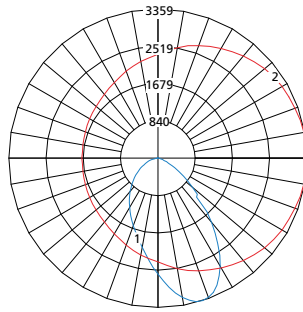
Information subject to change without notice. Visit www.kenall.com for IES files and additional information.

Model: MAERS4-yy-LASYM-20L-50L-8L-40K8-DIM1-zzz Ambient



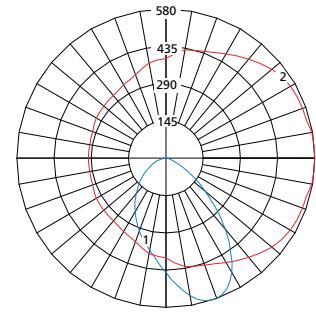
Maximum Candela = 1899 Located At Horizontal Angle = 0, Vertical Angle = 17.5
 1 - Vertical Plane Through Horizontal Angles (0-180) (Through Max. Cd.)
 2 - Horizontal Cone Through Vertical Angle (17.5) (Through Max. Cd.)

Model: MAERS4-yy-LASYM-20L-50L-8L-40K8-DIM1-zzz Exam



Maximum Candela = 3359 Located At Horizontal Angle = 0, Vertical Angle = 17.5
 1 - Vertical Plane Through Horizontal Angles (0-180) (Through Max. Cd.)
 2 - Horizontal Cone Through Vertical Angle (17.5) (Through Max. Cd.)

Model: MAERS4-yy-LASYM-20L-50L-8L-40K8-DIM1-zzz Reading



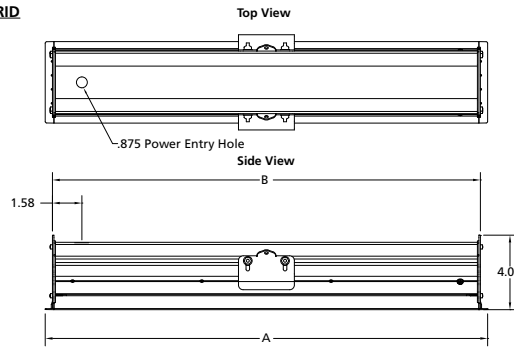
Maximum Candela = 580 Located At Horizontal Angle = 0, Vertical Angle = 20
 1 - Vertical Plane Through Horizontal Angles (0-180) (Through Max. Cd.)
 2 - Horizontal Cone Through Vertical Angle (20) (Through Max. Cd.)

DIMENSIONAL DATA

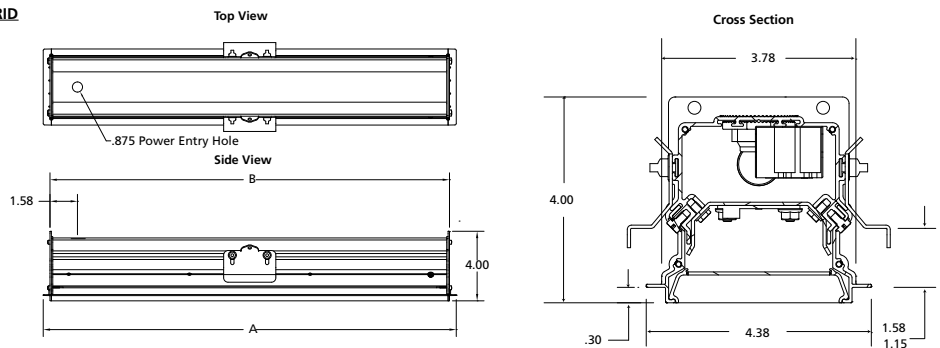
Nominal Length	Ceiling Configuration	A	B
48	LAY-IN GRID	47.75"	46.97"
	TEGULAR	47.75"	46.97"

NOTE: All Satellite units supplied with one (1) 0.875" hole on back of housing. When ordered with the MLVCD configuration, the Master unit is provided with two (2) 0.875" holes. MLVCDs configurations have Master units provided with three (3) 0.875" holes.

LAY-IN GRID



TEGULAR GRID



www.kenall.com | P: 800-4-Kenall | F: 262-891-9701 | 10200 55th Street Kenosha, Wisconsin 53144, USA

This product complies with the Buy American Act: manufactured in the United States with more than 50% of the component cost of US origin. It may be covered by patents found at www.kenall.com/patents. Content of specification sheets is subject to change; please consult www.kenall.com for current product details. ©2022 Kenall Mfg. Co.

A brand of **legrand**

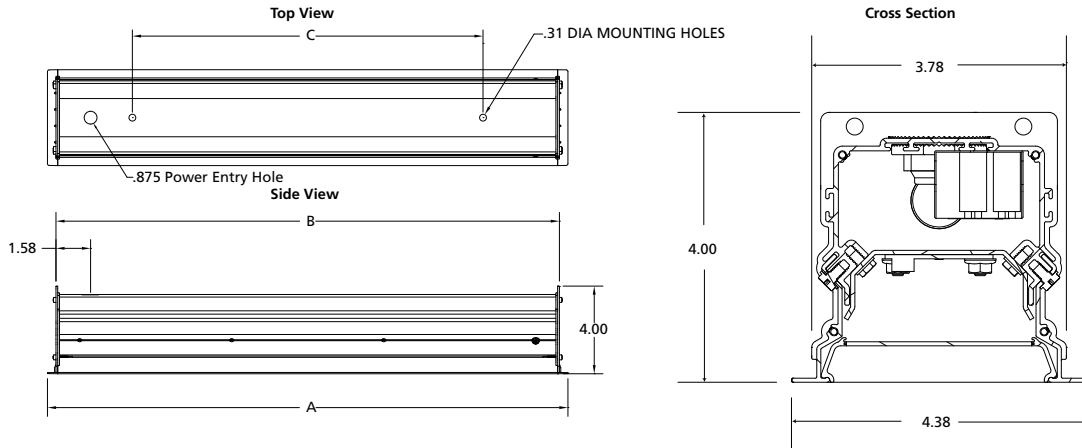
MEDMASTER® MEDSLOT™

Multi-Function Luminaires for Patient Rooms

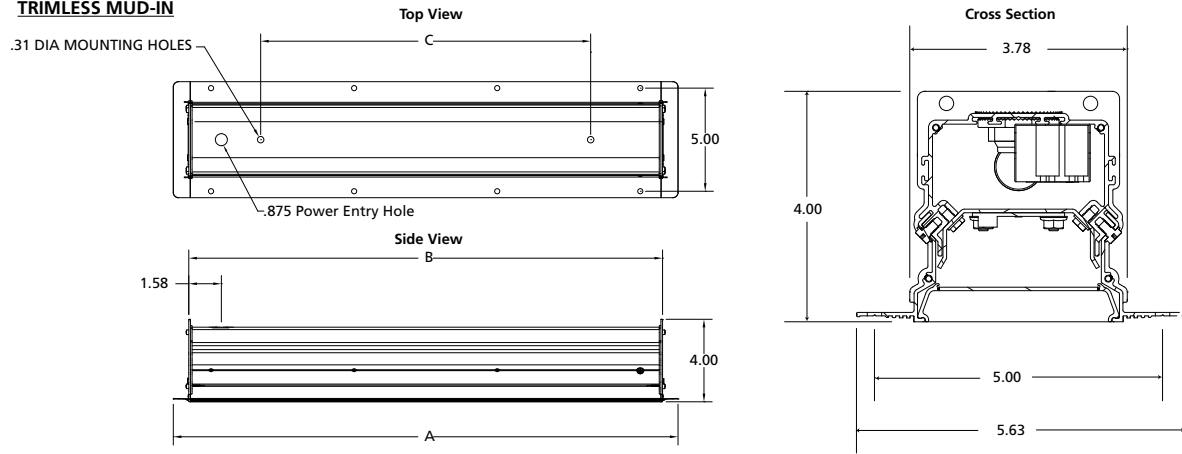
MAERS4 SERIES

DIMENSIONAL DATA

FLANGE



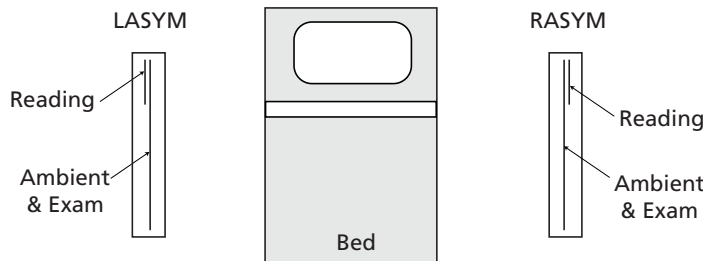
TRIMLESS MUD-IN



Nominal Length	Ceiling Configuration	A	B	C	Ceiling Cut-Out
48	FLANGE	47.75"	46.97"	40.00"	3.875" x 47.25"
	TRIMLESS	48.47"	46.97"	40.00"	

NOTE: All Satellite units supplied with one (1) 0.875" hole on back of housing. When ordered with the MLVCD configuration, the Master unit is provided with two (2) 0.875" holes. MLVCD5 configurations have Master units provided with three (3) 0.875" holes.

LUMINAIRE ORIENTATION / LAYOUT (must be specified in pairs)



NOTE: The power feed hole should be located toward the headwall.



www.kenall.com | P: 800-4-Kenall | F: 262-891-9701 | 10200 55th Street Kenosha, Wisconsin 53144, USA

This product complies with the Buy American Act: manufactured in the United States with more than 50% of the component cost of US origin. It may be covered by patents found at www.kenall.com/patents. Content of specification sheets is subject to change; please consult www.kenall.com for current product details. ©2022 Kenall Mfg. Co.

A brand of Legrand