

# MEDMASTER™

## Patient Room Luminaires

### MAC SERIES – LED

#### PRODUCT FEATURES:

- » Surface, recessed grid or recessed flange mount – 1'×4', 2'×2', 2'×4'
- » Center diffuser provides indirect ambient lighting
- » Ingress Barrier Door provides consistent surface for cleanliness



#### PROJECT INFORMATION

Job Name \_\_\_\_\_

Fixture Type \_\_\_\_\_

Catalog Number \_\_\_\_\_

Approved by \_\_\_\_\_

#### SPECIFICATIONS

**HOUSING:** 20-gauge CRS. one-piece construction Housing Flanges – 18-gauge CRS, standard 4-piece construction, spotwelded to housing. White TGIC polyester powder coat – 5-stage pre-treatment. Salt spray test 1,000 hours. Reflectance 92%. See Ordering Options for Antimicrobial Finish.

**DOORFRAME:** Heavy duty extruded aluminum with clear satin anodized finish. Doorframe supported to housing with aircraft cables (IB-AC) to provide NSF2 listing, or an optional continuous hinged doorframe (IB-HD). Select in ordering options below. Phillips head stainless steel fasteners secure door to housing – eight (8) with IB-AC (1×4, 2×2), ten (10) with IB-AC (2×4), two (2) with IB-HD (2×2) and three (3) with IB-HD (1×4, 2×4). Extruded closed cell gasket seals doorframe to housing. Outer lens sealed to doorframe with a vinyl gasket.

**OPTICS:** Extruded high-efficiency frosted DR acrylic inner diffuser. Clear impact-resistant acrylic outer lens.

**ELECTRICAL:** Available 3000K, 3500K, 4000K and 5000K color temperatures, 82 CRI. 120-277VAC, 50/60Hz electrical input with serviceable high power factor electronic, constant-current driver (0.95 PF). Standard 0-10V dimming with 1-100% range and dim-to-dark capabilities (non dim-to-dark with 347V); 330µA maximum source current. Optional LVCD control provides low-voltage patient interface, controlling the primary light engine independently with dimming control, and if ordered DLN/DLNA option independently without dimming. Optional secondary conduit entry available.

**INSTALLATION:** **SURFACE MOUNT:** Four .312" diameter holes. **GRID MOUNT:** Designed for 1" and 1.5" grid. (Housing includes hanging brackets to secure housing with wire to super structure). **FLANGE MOUNT:** Yoke mounting hardware & brackets included. Install Frame and Plaster Frames both positively locates yoke brackets within ceiling opening assures alignment of fixture. Install frame has no need for drywall backing; backing is supplied on the frame brackets.

**WARRANTY:** Limited five (5) year warranty.

**LISTINGS:** Luminaire is certified to UL Standards by Intertek Testing Laboratory for Wet Locations and non-IC recessed installations. ETL certified IP65 per IEC 60598. NSF2 Splash Zone (IB-AC only).



#### ORDERING INFORMATION (Ex: MAC24-F-FA-90L40K-DCC-DV-IB-AC-FS)

Model	Mounting	Diffuser	Lamp Type	Driver Type	Voltage	Doorframe	Options	Accessories
				<b>DCC</b>				
						<b>IB-</b>		
<b>Model</b>	<b>Lamp Type</b>		<b>Input Voltage</b>					
<b>MAC14</b> 1'×4'	<b>1×4</b>		<b>DV</b> 120-277VAC, 50/60Hz					
<b>MAC22</b> 2'×2'	<b>45L30K</b> 45 Watt 3000K LED		<b>120</b> 120VAC, 50/60Hz					
<b>MAC24</b> 2'×4'	<b>45L35K</b> 45 Watt 3500K LED		<b>277</b> 277VAC, 50/60Hz					
	<b>45L40K</b> 45 Watt 4000K LED		<b>347</b> 347VAC, 50/60Hz					
	<b>45L50K</b> 45 Watt 5000K LED							
<b>Mounting Options</b>	<b>2×2</b>		<b>Doorframe</b>					
<b>F</b> Flange	<b>45L30K</b> 45 Watt 3000K LED		<b>AC</b> Ingress Barrier w/Aircraft Cables					
<b>S</b> Surface	<b>45L35K</b> 45 Watt 3500K LED		<b>HD</b> Ingress Barrier w/Continuous Piano Hinge (not NSF2 listed)					
<b>G</b> Grid (1" and 1.5")	<b>45L40K</b> 45 Watt 4000K LED							
	<b>45L50K</b> 45 Watt 5000K LED							
<b>Diffuser Type</b>	<b>2×4</b>		<b>Options</b>					
<b>FA</b> Frosted Acrylic	<b>45L30K</b> 45 Watt 3000K LED		<b>LEL*</b> LED Emergency Battery Pack (n/a in combination with LVC on 2x2 fixture)					
<b>CAP</b> Clear Acrylic with Perforated Insert	<b>45L35K</b> 45 Watt 3500K LED		<b>AMF</b> Antimicrobial Finish on exposed painted surfaces					
	<b>45L40K</b> 45 Watt 4000K LED		<b>DLN</b> LED Night Light with 100%-20% Light Level Control (Voltage specific selection required; n/a on 1×4 fixture)					
	<b>45L50K</b> 45 Watt 5000K LED		<b>DLNA</b> Amber LED Night Light with 100%-20% Light Level Control (Voltage specific selection required; n/a on 1×4 fixture)					
	<b>67L30K</b> 67 Watt 3000K LED		<b>LVC</b> Low Voltage Controller (Click <a href="#">here</a> for specifications)					
	<b>67L35K</b> 67 Watt 3500K LED		<b>LVCS</b> Low Voltage Controller with Secondary Conduit Entry (Click <a href="#">here</a> for specifications)					
	<b>67L40K</b> 67 Watt 4000K LED		<b>LVCD</b> Low Voltage Controller with Dimming (Click <a href="#">here</a> for specifications)					
	<b>67L50K</b> 67 Watt 5000K LED		<b>LVCD5</b> Low Voltage Controller with Dimming and Secondary Conduit Entry (Click <a href="#">here</a> for specifications)					
	<b>90L30K</b> 90 Watt 3000K LED		<b>FS</b> Single Fuse & Holder					
	<b>90L35K</b> 90 Watt 3500K LED							
	<b>90L40K</b> 90 Watt 4000K LED							
	<b>90L50K</b> 90 Watt 5000K LED							
	<b>Driver Type</b>							
	<b>DCC</b> 0-10V Dimming Constant Current							

\* n/a with 347V

† Add 0.375" to ceiling cutout dimensions. Flange mounting only.

#### ACCESSORIES ORDERED SEPERATELY

**MPWS** Low Voltage Wall Switch (Click [here](#) for Specifications)



www.kenall.com | P: 800-4-Kenall | F: 262-891-9701 | 10200 55th Street Kenosha, Wisconsin 53144, USA

A brand of **legrand**

This product complies with the Buy American Act: manufactured in the United States with more than 50% of the component cost of US origin. It may be covered by patents found at [www.kenall.com/patents](http://www.kenall.com/patents). Content of specification sheets is subject to change; please consult [www.kenall.com](http://www.kenall.com) for current product details. ©2019 Kenall Mfg. Co.

MAC\_14\_22\_24-TW-030821

# MEDMASTER™

## Patient Room Luminaires

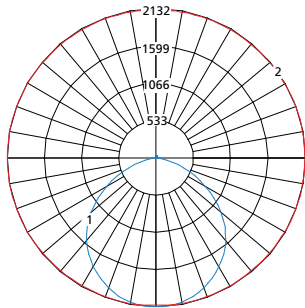
### MAC SERIES – LED

#### PERFORMANCE

Model	Lamp Type	Initial Delivered Lumens		Input Power (W)	Drive Current (mA)	Estd. L70 LED Life (Hrs)
		@ 25°C	Efficacy (lm/W)			
MAC14	45L30K	4,559	93	49	100	80,000
	45L35K	4,700	96	49	100	80,000
	45L40K	4,861	99	49	100	80,000
	45L50K	5,193	106	49	100	80,000
MAC22	45L30K	4,350	89	49	100	80,000
	45L35K	4,484	92	49	100	80,000
	45L40K	4,638	95	49	100	80,000
	45L50K	4,955	101	49	100	80,000
MAC24	45L30K	4,983	102	49	100	80,000
	45L35K	5,137	105	49	100	80,000
	45L40K	5,312	108	49	100	80,000
	45L50K	5,675	116	49	100	80,000
	67L30K	7,580	105	72	75	80,000
	67L35K	7,815	109	72	75	80,000
	67L40K	8,082	112	72	75	80,000
	67L50K	8,634	120	72	75	80,000
	90L30K	9,741	101	97	100	80,000
	90L35K	10,042	104	97	100	80,000
	90L40K	10,385	107	97	100	80,000
	90L50K	11,095	115	97	100	80,000

Displayed information is for type 'FA' diffuser. Apply 0.52 derating factor to provided output values for 'CAP' diffuser option. Photometry tested to the IESNA LM-79-08 standard by an ILAC/ISO17025 accredited laboratory. For photometric data, please go to [www.kenall.com](http://www.kenall.com)

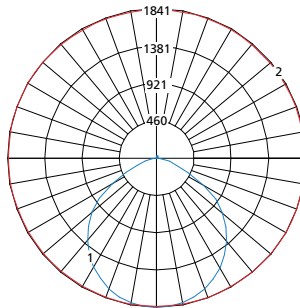
Model: MAC14-x-FA-45L40K-DCC-120-IB-AC



Maximum Candela = 2132 Located At Horizontal Angle = 75, Vertical Angle = 2.5

- 1 - Vertical Plane Through Horizontal Angles (75-255) (Through Max. Cd.)
- 2 - Horizontal Cone Through Vertical Angle (2.5) (Through Max. Cd.)

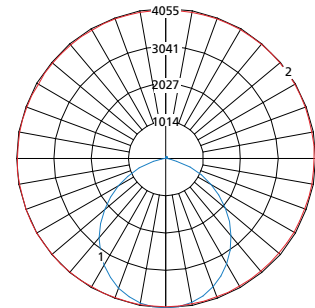
Model: MAC22-x-FA-45L40K-DCC-120-IB-AC



Maximum Candela = 1841 Located At Horizontal Angle = 90, Vertical Angle = 2.5

- 1 - Vertical Plane Through Horizontal Angles (90-270) (Through Max. Cd.)
- 2 - Horizontal Cone Through Vertical Angle (2.5) (Through Max. Cd.)

Model: MAC24-x-FA-90L40K-DCC-120-IB-AC



Maximum Candela = 4055 Located At Horizontal Angle = 75, Vertical Angle = 2.5

- 1 - Vertical Plane Through Horizontal Angles (75-255) (Through Max. Cd.)
- 2 - Horizontal Cone Through Vertical Angle (2.5) (Through Max. Cd.)



# MEDMASTER™

## Patient Room Luminaires

For additional photometry, go to [www.kenall.com](http://www.kenall.com)

### MAC SERIES – LED

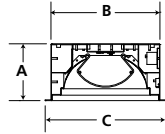
#### DIMENSIONAL DATA

##### GRID DIMENSIONAL DATA (IN INCHES)

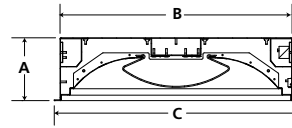
	A	B	C	D	E
1×4	5.56	10.60	11.75	46.60	47.75
2×2	6.10	22.60	23.75	22.60	23.75
2×4	6.10	22.60	23.75	46.60	47.75

#### GRID MOUNT

##### CROSS SECTION

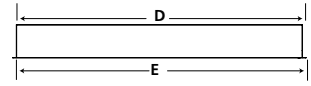


MAC14



MAC22 & MAC24

##### SIDE VIEW

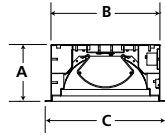


##### FLANGE DIMENSIONAL DATA (IN INCHES)

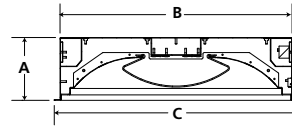
	A	B	C	D	E	F	G
1×4	5.56	10.60	11.75	46.60	47.75	30.00	5.25
Recommended Ceiling Cutout: 10.88" × 46.88"							
2×2	6.10	22.60	23.75	22.60	23.75	12.00	12.00
Recommended Ceiling Cutout: 22.88" × 22.88"							
2×4	6.10	22.60	23.75	46.60	47.75	30.00	12.00
Recommended Ceiling Cutout: 22.88" × 46.88"							

#### FLANGE MOUNT

##### CROSS SECTION

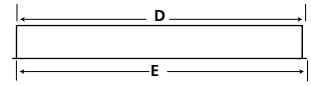


MAC14

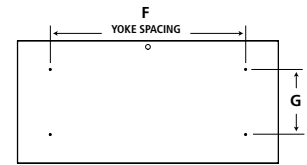


MAC22 & MAC24

##### SIDE VIEW



##### TOP VIEW

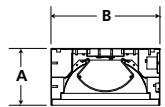


##### SURFACE DIMENSIONAL DATA (IN INCHES)

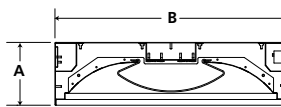
	A	B	C	D	E
1×4	5.56	10.60	30.00	5.25	46.60
2×2	6.13	22.60	12.00	12.00	22.60
2×4	6.13	22.60	30.00	12.00	46.60

#### SURFACE MOUNT

##### CROSS SECTION

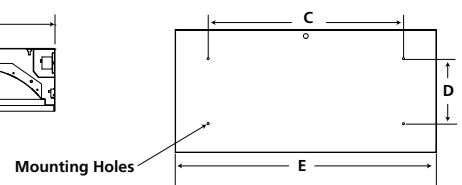


MAC14



MAC22 & MAC24

##### TOP VIEW



www.kenall.com | P: 800-4-Kenall | F: 262-891-9701 | 10200 55th Street Kenosha, Wisconsin 53144, USA

A brand of Legrand

This product complies with the Buy American Act: manufactured in the United States with more than 50% of the component cost of US origin. It may be covered by patents found at [www.kenall.com/patents](http://www.kenall.com/patents). Content of specification sheets is subject to change; please consult [www.kenall.com](http://www.kenall.com) for current product details. ©2019 Kenall Mfg. Co.

MAC\_14\_22\_24-TW-030821