

INDIGO-CLEAN™ M4DLIC6 SERIES

Patented Continuous Environmental Disinfection System

Dual Mode White & Indigo Disinfection LED

PRODUCT FEATURES:

- » 6" sealed, recessed downlight with regressed or flush lens trim
- » Two operational modes: White Disinfection Mode & Indigo Disinfection Mode
- » Indigo Mode provides concentrated disinfection for high-contamination areas
- » White LED Mode provides up to 2,000 lm
- » Conducted emissions controlled as per MILSTD 461G



PROJECT INFORMATION

Job Name _____

Fixture Type _____

Catalog Number _____

Approved by _____

SPECIFICATIONS

HEAT SINK: Die-cast aluminum with external radial fins for natural convection.

ROUGH-IN FRAME: 18-gauge die-formed, corrosion-resistant steel. Vertically adjustable collar accommodates ceiling thicknesses up to 2", adjustable post-installation. Universal mounting brackets accept 3/4" and 1-1/2" lathers channel, 1/2" EMT conduit and hanger bars. Quick-access junction box accessible post-installation from above and below ceiling. Includes (4) 1/2" and (2) 3/4" knock-outs to allow straight conduit runs. Listed for (8) 12AWG, 90°C conductors and feed-thru branch wiring. Provided with FMC with electrical quick-connect to Trim Section.

TRIM/HOUSING SECTION: IP-rated housing section incorporates the heat sink, LED module, optics and lower trim. Configurable with an IP64-rated Regressed or Flush lens trim that is secured to the Rough-In frame with hidden torsion springs, and an IP65 Flush lens trim secured with four (4) phillips head, captive fasteners. Anti-microbial finish standard on all exposed painted surfaces. See trim ordering information for available options.

OPTICAL: Mixing chamber design with regressed diffused tempered-glass lens produces uniform light output. Flush lens trim options include a clear impact-resistant acrylic lens. See distribution and reflector finish ordering information for available options.

ELECTRICAL: High-power white LED array and high-power 405nm indigo LED array. Available 3700K and 4300K color temperatures with maximum 3-step MacAdam variation allowance. Minimum 80 CRI standard with optional minimum 90 CRI available. 120/277VAC, 50/60Hz electrical input with serviceable high power factor electronic, constant-current drivers (0.90 PF). Minimum 85% driver efficiency. Standard 0-10V dimming with 1-100% range with dim-to-dark capabilities in White Disinfection Mode. 250 µA maximum source current. Two operational modes: White Disinfection Mode is a white LED array for ambient lighting plus simultaneous low-power 405nm indigo array for low-level continuous environmental disinfection. Indigo Disinfection Mode is a high power 405nm Indigo LED array for continuous environmental disinfection. Operational mode determined via internal low-voltage device based upon input provided by external IC100 room control system. EMC meets or exceeds MIL STD 461G conducted requirements.

PHOTOMETRICS: Photometry tested to the IESNA LM-79-08 standard by an ILAC/ISO17025 accredited laboratory. For photometric information, go to www.kenall.com.

WARRANTY: Limited five (5) year LED warranty.

LISTINGS: Luminaire is certified to UL standards by Intertek Testing Laboratory for non-IC and Wet Location installations. IP64 and IP65 rating per IEC60598. NSF2 Splash/Non-Food Zone. Conducted emissions controlled as per MILSTD 461G. Optional CCEA compliance.



ORDERING INFORMATION (Ex: M4DLIC6-NF-DCFW-34I/28L-43K8-M-CS-T-RIS6IC-120-DIM1)

TRIM								ROUGH-IN			
Model	Trim Style	Trim Finish	Lamp Power	Lamp Color	Distribution	Reflector Finish	Flush Lens Type	Rough-In	Input Voltage	Driver Type	Options
M4DLIC6								RIS6IC			
34I/28L											
Trim Style				Lamp Color				Rough-In			
R	Regressed Lens (IP64)			37K8	3700K / 80 CRI min.			RIS6IC 6" Indigo-Clean Rough-In Frame			
NF	Flush Lens (Without Fasteners - IP64)			37K9	3700K / 90 CRI min.			Input Voltage			
FF	Flush Lens (With Fasteners - IP65)			43K8	4300K / 80 CRI min.			120 120V, 50/60Hz			
Trim Finish				43K9	4300K / 90 CRI min.			277 277V, 50/60Hz			
DCFW	Die-Cast Aluminum Painted Flat White (R and NF Trim Style)			Distribution				Driver Type			
2FW	Cold-Rolled Steel Painted Flat White			M	Medium			DIM1 0-10V Dimming to 1%			
SBR	Type 304 Stainless Steel with 4B Brushed Finish			W	Wide			Options			
5FW	Type 304 Stainless Steel Painted Flat White			Reflector Finish				LEL Integral Emergency Battery Backup with Remote Test Switch			
Lamp Power				CS* Clear Specular				FS Fuse & Holder			
34I/28L	34 Watt Indigo/28 Watt White Disinfection LED			CSS Clear Semi-Specular				CCEA Chicago Plenum Compliance			
				FW Flat White							
				Flush Lens Type (n/a Regressed Trim Style)							
				T 1/8" Clear High-Impact Acrylic							

* Not available with Medium Distribution Type



www.kenall.com | P: 800-4-Kenall | F: 262-891-9701 | 10200 55th Street Kenosha, Wisconsin 53144, USA

A brand of **legrand**

This product complies with the Buy American Act: manufactured in the United States with more than 50% of the component cost of US origin. It may be covered by patents found at www.kenall.com/patents. Content of specification sheets is subject to change; please consult www.kenall.com for current product details. ©2019 Kenall Mfg. Co.

INDIGO-CLEAN™ DOWNLIGHT

Patented Continuous Environmental Disinfection System

M4DLIC6 SERIES - Dual Mode White and Indigo Disinfection LED

PERFORMANCE – REGRESSED TRIM STYLE

Mode	Optic		Lamp Power	Initial Delivered Lumens, By Lamp Color				Input Power (W)	Estd. L70 LED Life (hrs)
	Distribution	Reflector Finish		37K8	37K9	43K8	43K9		
White Disinfection	M	CSS	34I/28L	1,856	1,199	1,827	1,251	33	60,000
		FW		1,935	1,247	1,900	1,301	33	60,000
	W	CS		2,330	1,501	2,288	1,567	33	60,000
		CSS		2,062	1,329	2,025	1,387	33	60,000
		FW		1,883	1,214	1,850	1,267	33	60,000
Indigo Disinfection	All			n/a				39	50,000

Information subject to change without notice. TM-30 Color Vector Graphic available upon request. Visit www.kenall.com for .ies files and additional information.

Wide Distribution Candela Curve	M4DLIC6-R-34I/28L-37K8-W-CSS		Distance to illuminated plane (ft)	M4DLIC6-R-34I/28L-37K8-M-CSS		Medium Distribution Candela Curve
	Initial center beam foot-candles	Beam diameter (ft)		Initial center beam foot-candles	Beam diameter (ft)	
	59.1	6.3	5'	90.3	4.0	
	41.1	6.8	6'	62.7	5.0	
	30.2	8.0	7'	46.1	5.8	
	23.1	9.2	8'	35.1	6.5	
	18.3	10.4	9'	27.9	7.4	
	14.8	11.5	10'	22.6	8.3	
Spacing Criteria: 1.18	foot-candle multipliers for 37K9(0.64), 43K8(0.98), 43K9(0.67)				Spacing Criteria: 0.84	
Beam Angle: 17.50	Beam diameter is where foot-candles drop to 50% of maximum				Beam Angle: 2.50	

PERFORMANCE – FLUSH TRIM STYLE

Mode	Optic			Lamp Power	Initial Delivered Lumens, By Lamp Color				Input Power (W)	Estd. L70 LED Life (hrs)
	Distribution	Reflector Finish	Lens Type		37K8	37K9	43K8	43K9		
White Disinfection	M	CSS	T	34I/28L	1,731	1,118	1,704	1,167	33	60,000
		FW			1,804	1,162	1,772	1,213	33	60,000
	W	CS			2,176	1,402	2,137	1,464	33	60,000
		CSS			1,926	1,241	1,891	1,295	33	60,000
		FW			1,759	1,133	1,727	1,183	33	60,000
Indigo Disinfection	All				n/a				39	50,000

Information subject to change without notice. TM-30 Color Vector Graphic available upon request. Visit www.kenall.com for .ies files and additional information.

Wide Distribution Candela Curve	M4DLIC6-FF-34I/28L-37K8-W-CSS-T		Distance to illuminated plane (ft)	M4DLIC6-FF-34I/28L-37K8-M-CSS-T		Medium Distribution Candela Curve
	Initial center beam foot-candles	Beam diameter (ft)		Initial center beam foot-candles	Beam diameter (ft)	
	57.2	6.0	5'	86.5	3.9	
	39.7	6.8	6'	60.1	4.8	
	29.2	7.9	7'	44.1	5.6	
	22.3	9.0	8'	33.8	6.4	
	17.6	10.3	9'	26.7	7.2	
	14.3	11.4	10'	21.6	8.1	
Spacing Criteria: 1.16	foot-candle multipliers for 37K9(0.64), 43K8(0.98), 43K9(0.67)				Spacing Criteria: 0.80	
Beam Angle: 17.50	Beam diameter is where foot-candles drop to 50% of maximum				Beam Angle: 2.50	

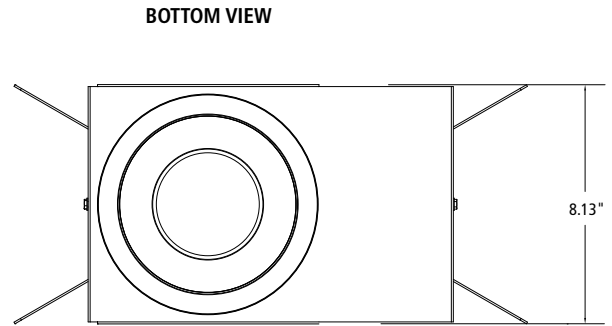
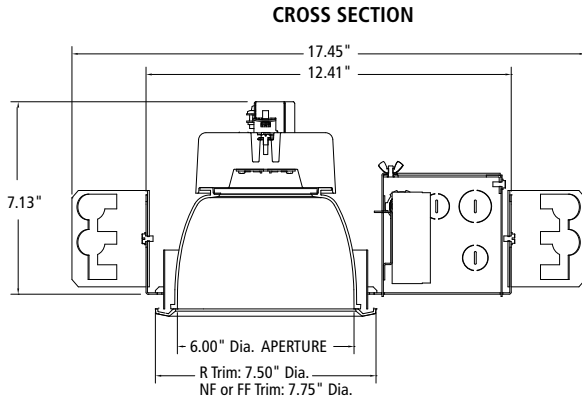


INDIGO-CLEAN™ DOWNLIGHT

Patented Continuous Environmental Disinfection System

M4DLIC6 SERIES - Dual Mode White and Indigo Disinfection LED

DIMENSIONAL DATA



RECOMMENDED CEILING CUT-OUT
R and NF Trims: 7.13" Dia.
FF Trims: 7.38" Dia.



INDIGO-CLEAN™ ROOM CONTROLLER SYSTEM

IC100 SERIES

PRODUCT FEATURES:

- » Room-level Disinfection Mode Control
- » Infrared & Ultrasonic Occupancy Detection

SPECIFICATIONS

IC100 CONTROLLER: Centralized, zonal whole room continuous disinfection. Automatically switches Indigo-Clean luminaires between white disinfection and Indigo-Clean disinfection modes. Receives input from (3) passive-infrared (PIR) and (1) ultrasonic sensor with optional switch (by others). 0-10VDC dimming signal output to luminaires. Integral LED indicators provide system status. Dual technology controller requires input from both PIR and ultrasonic sensors. Maximum sink current per controller: 30mA.

IC100 SENSORS: Operates by low-voltage power provided by IC100 Controller. **INFRARED:** System includes three (3) passive infrared (PIR) occupancy detection. Lenses provide 360° coverage, 48" diameter from 8' height. Adjustable occupancy time-out delay 0-30 min. **ULTRASONIC:** System includes one (1) high-frequency (40kHz) occupancy detector suitable for open area detection with line-of-sight obstructions; includes sensitivity adjustment. Adjustable occupancy time-out delay 0-30 min.

CONTROLLER HOUSING: Seam-welded 18-gauge CRS. White TGIC polyester powder coat finish with five-step pre-treatment. Housings provided with multiple 1/2" and 3/4" conduit knockouts. Controller housing includes clear polycarbonate window for viewing of system status indicators. Silicone gasketing. Pin-tumbler style keyed lock. All locks are keyed alike, two keys included.

INSTALLATION: Controller housing suitable for mounting to wall or ceiling surfaces with four-point mounting. All signal cabling shall be wired Class I with 18AWG, 600V TFFN wire. IC100 ultrasonic and PIR sensors suitable for mounting to ceiling junction box.

PROJECT INFORMATION

Job Name _____

Fixture Type _____

Catalog Number _____

Approved by _____



Controller



Ultrasonic Sensor
One (1) included

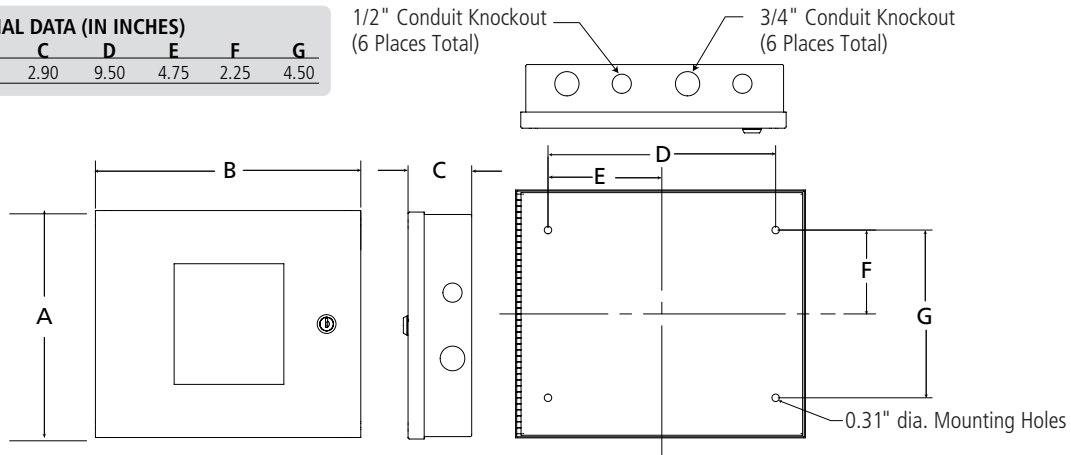


PIR Sensor
Three (3) included

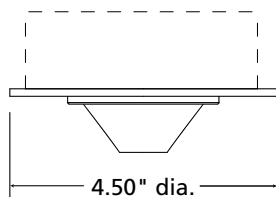
CONTROLLER HOUSING

DIMENSIONAL DATA (IN INCHES)

A	B	C	D	E	F	G
6.85	14.10	2.90	9.50	4.75	2.25	4.50



PIR SENSOR



ULTRASONIC SENSOR



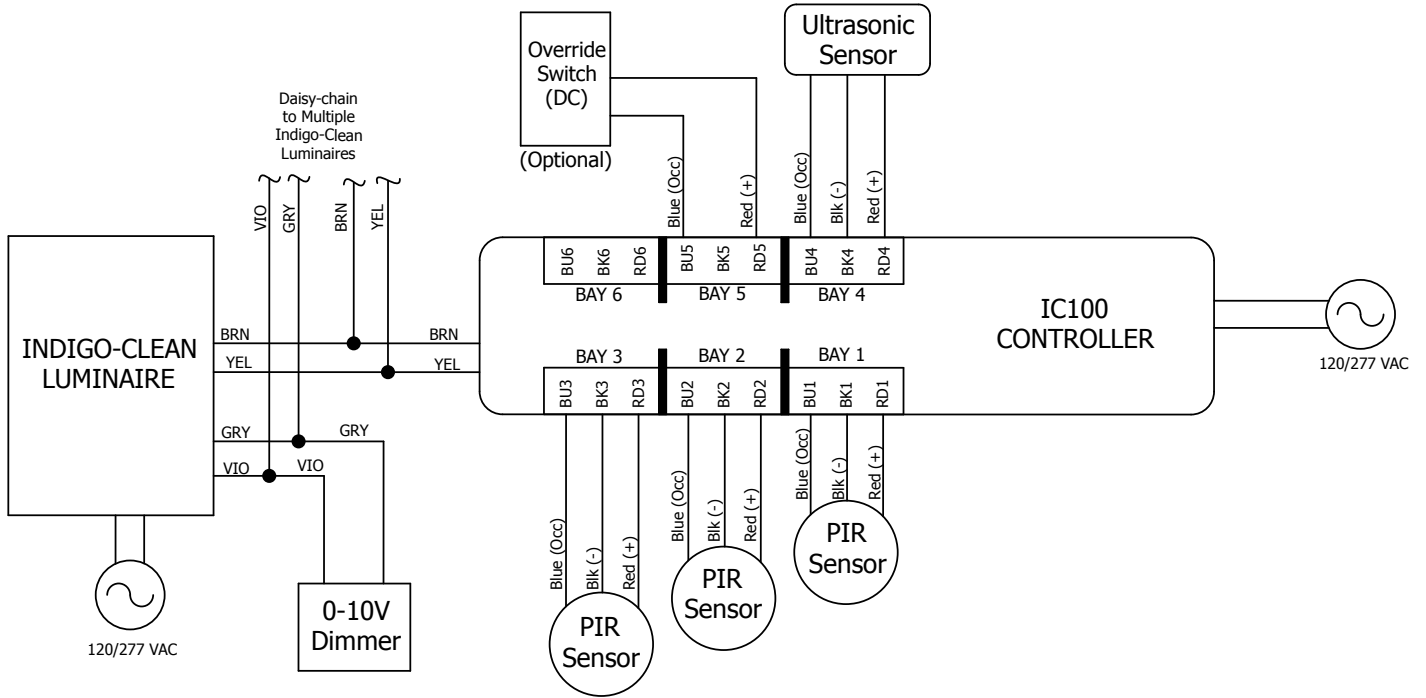
www.kenall.com | P: 800-4-Kenall | F: 262-891-9701 | 10200 55th Street Kenosha, Wisconsin 53144, USA

A brand of **legrand**

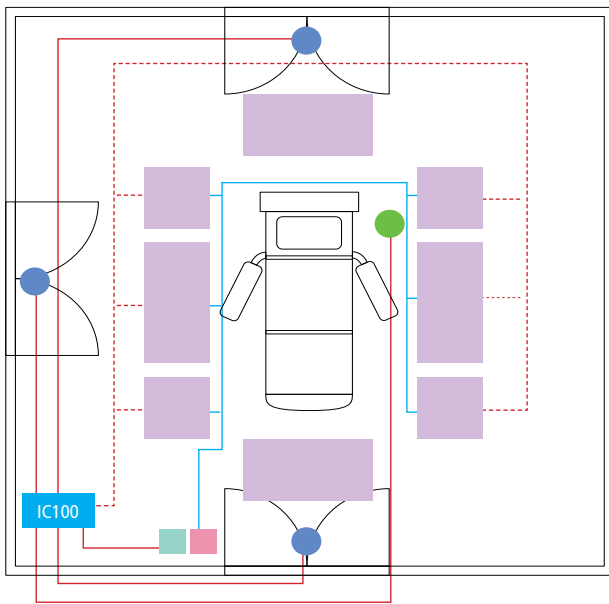
This product complies with the Buy American Act: manufactured in the United States with more than 50% of the component cost of US origin. It may be covered by patents found at www.kenall.com/patents. Content of specification sheets is subject to change; please consult www.kenall.com for current product details. ©2019 Kenall Mfg. Co.

INDIGO-CLEAN™ ROOM CONTROLLER SYSTEM

IC100 SERIES WIRING DIAGRAM



TYPICAL LUMINAIRE/IC100 CONTROLS ROOM LAYOUT



- Indigo-Clean Fixtures
- Ultrasonic Sensor
- Passive Infrared Sensor
- External 0-10V Dimmer
- White Disinfection Mode Override Switch (DC) <OPTIONAL>

IC100 Mode Control Load Limits

Product	Source Current per Luminaire (mA)	Max Luminaires per IC100 Controller
M4SEDIC-14	0.5	60
M4SEDIC-22	0.5	60
M4SEDIC-24	1	30
MEIC-22	0.25	120
MEIC-24	0.5	60
M4DLIC6	0.25	120

NOTE: Multiple Indigo-Clean product types may be controlled from a single IC100 controller as long as the maximum sink current rating (30µA) is not exceeded.



www.kenall.com | P: 800-4-Kenall | F: 262-891-9701 | 10200 55th Street Kenosha, Wisconsin 53144, USA

A brand of **legrand**

This product complies with the Buy American Act: manufactured in the United States with more than 50% of the component cost of US origin. It may be covered by patents found at www.kenall.com/patents. Content of specification sheets is subject to change; please consult www.kenall.com for current product details. ©2019 Kenall Mfg. Co.