

MEDMASTER NARROW SPECTRUM

Luminaires for Surgical Applications

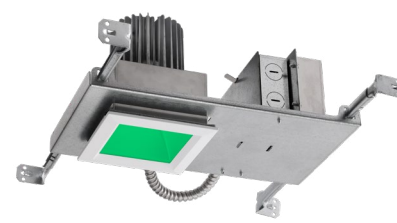
M4DL4 SERIES

PRODUCT FEATURES:

- » 4" sealed, recessed downlight with round or square aperture
- » Regressed or flush lensed trim
- » Conducted emissions controlled as per MIL-STD-461G
- » 530nm Green LED source provides increased visual acuity during specialized surgical procedures
- » 1% Dimming via 0-10V or DALI-2 control
- » For M4SEDI troffers with color-matched Green LEDs, click [here](#)



Round - 530nm Green



Square

SPECIFICATIONS

HEAT SINK: Die-cast aluminum with external radial fins for natural convection.

ROUGH-IN FRAME: 18-gauge die-formed, corrosion-resistant steel. Vertically adjustable collar accommodates ceiling thicknesses up to 1.5", adjustable post-installation. Adjustable mounting bars for installation with wood and steel frame joists and T-grid ceiling systems spaced up to 24" on center. Quick-access junction box accessible post-installation from above and below ceiling. Includes (5) 1/2" knock-outs to allow straight conduit runs.

TRIM/HOUSING SECTION: IP-rated housing section incorporates the heat sink, LED module, optics and lower trim. Configurable with an IP64-rated Regressed or Flush lens trim that is secured to the Rough-In frame with hidden torsion springs, and an IP65 Flush lens trim secured with three (Round) or four (Square) Phillips-head, captive fasteners. Closed-cell gasketing at ceiling flange. Anti-microbial finish standard on all exposed painted surfaces. See Trim Ordering Information for available options.

OPTICAL: Round or Square aperture. Diffused tempered-glass upper lens. No filtering elements employed. Flush lens trim options include a clear impact-resistant acrylic lens continuously sealed to the trim ring. Available with various reflector finishes. See Ordering Information for available options.

ELECTRICAL: Native green LED source with 530nm nominal peak wavelength. 120-277VAC or 347VAC, 50/60Hz electrical input with serviceable constant current driver (<20% THD, >0.90 PF). Minimum 85% driver efficiency. Standard 0-10V dimming with 1-100% range and dim-to-dark capabilities; 0.2mA maximum source current. Optional eldoLED ECOdrive DALI-2/LEDcode2 driver with 1-100% range.

PHOTOMETRICS: Photometry tested to the IESNA LM-79-08 standard by an ILAC/ISO17025 accredited laboratory. For photometric information, go to www.kenall.com.

WARRANTY: Limited five (5) year LED warranty.

LISTINGS: Luminaire is certified to UL standards by Intertek Testing Laboratory for non-IC and Wet Location installations. IP64 and IP65 rating per IEC60598. NSF2 Splash/Non-Food Zone. Conducted emissions controlled as per MIL-STD-461G. Optional CCEA compliant.



ORDERING INFORMATION (EX: M4DL4-NF-DCFW-12G-CSS-T-RIS4-277-DIM1)

TRIM					ROUGH-IN				
Model	Trim Style	Trim Finish	Lamp Power/Color	Reflector Finish	Flush Lens Type	Rough-In	Input Voltage	Driver Type	Options
12G									
Model			Lamp Power / Color			Rough-In			
M4DL4	4" Surgical - Round		12G	12 Watt 530nm Native Green LED		RIS4	4" Surgical Rough-In - Round		
M4DL4S	4" Surgical - Square					RIS4S	4" Surgical Rough-In - Square		
Trim Style			Reflector Finish			Input Voltage			
R*	Regressed Lens		FW	Flat White		120	120VAC, 50/60Hz		
NF	Flush Lens (Without Fasteners - IP64)		CD	Clear Diffuse		277	277VAC, 50/60Hz		
FF	Flush Lens (With Fasteners - IP65)		CSS	Clear Specular (square only)		347†	347VAC, 60Hz		
			CS	Clear Semi-Specular (round only)					
Trim Finish			Flush Lens Type (n/a Regressed Trim Style)			Driver Type			
DCFW	Die-Cast Aluminum in Flat White (R and NF Trim Style)		T	1/8" Clear High-Impact Acrylic		DIM1	0-10V Dimming to 1% with Dim-to-Dark		
2FW	Cold-Rolled Steel in Flat White					DALI	DALI-2/LEDcode2 Dimming to 1% without Dim-to-Dark		
5BR	Type 304 Stainless Steel with 4B Brushed Finish								
5FW	Type 304 Stainless Steel in Flat White					Options			
						FS	Fuse & Holder		
						CCEA	CCEA Approved		

† N/A with DALI Driver Type and CCEA option
 ▲ Available with DCFW Trim Finish only



MEDMASTER NARROW SPECTRUM

Luminaires for Surgical Applications

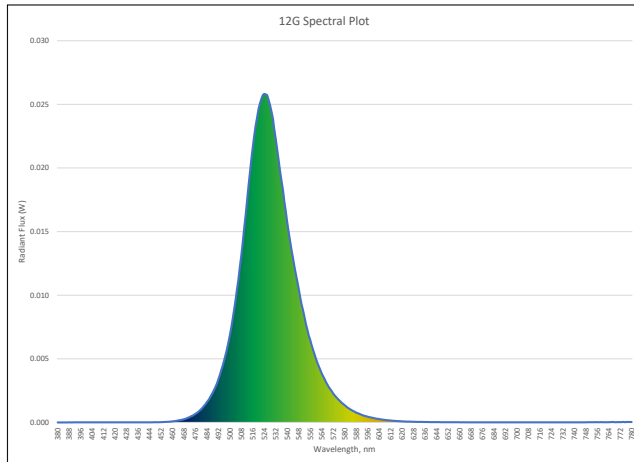
M4DL4 SERIES

PERFORMANCE

Optic				Lamp Code	Lamp Color	Initial Delivered Lumens	Input Power (W)	Estd. L70 LED Life (hrs)
Aperture	Trim Style	Reflector Finish	Lens Type					
Round	R	CD	n/a	12G	530nm Green	734	14	60,000
		CSS				744	14	60,000
		FW				569	14	60,000
	NF / FF	CD	T			697	14	60,000
		CSS				706	14	60,000
		FW				662	14	60,000
Square	R	CD	n/a	12G	530nm Green	639	14	60,000
		CSS				748	14	60,000
		FW				657	14	60,000
	NF / FF	CD	T			607	14	60,000
		CSS				710	14	60,000
		FW				624	14	60,000

Subject to change without notice. Visit www.kenall.com for ies files and additional information.

SPECTROPHOTOMETRIC PERFORMANCE



12G	
Purity	0.8093
Bandwidth	37.2 nm
Peak Wavelength	530 nm



www.kenall.com | P: 800-4-Kenall | F: 262-891-9700 | 10200 55th Street Kenosha, Wisconsin 53144, USA
 This product can comply with the latest domestic preference legislation, such as the Buy American Act (BAA), Trade Agreement Act (TAA), Build America, Buy America Act (BABA), and others. It may be covered by patents found at www.kenall.com/patents. Content of specification sheets is subject to change; please consult www.kenall.com for current product details. ©2024 Kenall Mfg. Co.

A brand of Legrand

MEDMASTER NARROW SPECTRUM

Luminaires for Surgical Applications

M4DL4 SERIES

PERFORMANCE

Round Aperture Candela Curve	M4DL4-qF-ssss-12G-CSS-T		Distance to illuminated plane (ft)	M4DL4S-qF-ssss-12G-CS-T		Square Aperture Candela Curve
	Initial center beam foot-candles	Beam diameter (ft)		Initial center beam foot-candles	Beam diameter (ft)	
	28.4	4.6	5'	52.4	4.0	
	19.7	5.5	6'	36.4	4.8	
	14.5	6.4	7'	26.8	5.6	
	11.1	7.3	8'	20.5	6.4	
	8.8	8.2	9'	16.2	7.2	
	7.1	9.1	10'	13.1	8.0	
Spacing Criteria: 0.93	Beam diameter is where foot-candles drop to 50% of maximum					Spacing Criteria: 0.68
Beam Angle: 49						Beam Angle: 44

Round Aperture Candela Curve	M4DL4-qF-ssss-12G-CD-T		Distance to illuminated plane (ft)	M4DL4S-qF-ssss-12G-CD-T		Square Aperture Candela Curve
	Initial center beam foot-candles	Beam diameter (ft)		Initial center beam foot-candles	Beam diameter (ft)	
	28.8	4.6	5'	30.2	5.2	
	20.0	5.5	6'	21.0	6.3	
	14.7	6.4	7'	15.4	7.3	
	11.3	7.3	8'	11.8	8.4	
	8.9	8.2	9'	9.3	9.4	
	7.2	9.1	10'	7.5	10.4	
Spacing Criteria: 0.92	Beam diameter is where foot-candles drop to 50% of maximum					Spacing Criteria: 0.84
Beam Angle: 49						Beam Angle: 55

Round Aperture Candela Curve	M4DL4-qF-ssss-12G-FW-T		Distance to illuminated plane (ft)	M4DL4S-qF-ssss-12G-FW-T		Square Aperture Candela Curve
	Initial center beam foot-candles	Beam diameter (ft)		Initial center beam foot-candles	Beam diameter (ft)	
	22.2	5.7	5'	24.8	5.7	
	15.4	6.8	6'	17.3	6.9	
	11.3	7.9	7'	12.7	8.0	
	8.7	9.1	8'	9.7	9.2	
	6.8	10.2	9'	7.7	10.3	
	5.5	11.3	10'	6.2	11.5	
Spacing Criteria: 0.88	Beam diameter is where foot-candles drop to 50% of maximum					Spacing Criteria: 0.92
Beam Angle: 59						Beam Angle: 60



www.kenall.com | P: 800-4-Kenall | F: 262-891-9700 | 10200 55th Street Kenosha, Wisconsin 53144, USA
 This product can comply with the latest domestic preference legislation, such as the Buy American Act (BAA), Trade Agreement Act (TAA), Build America, Buy America Act (BABA), and others. It may be covered by patents found at www.kenall.com/patents. Content of specification sheets is subject to change; please consult www.kenall.com for current product details. ©2024 Kenall Mfg. Co.

A brand of Legrand

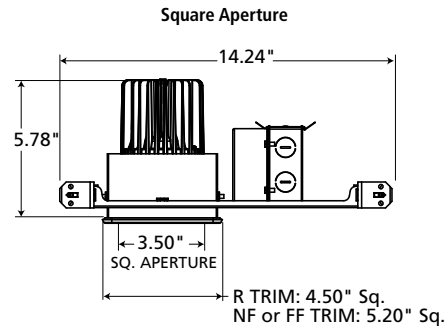
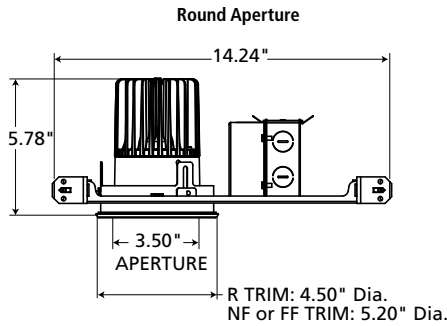
MEDMASTER NARROW SPECTRUM

Luminaires for Surgical Applications

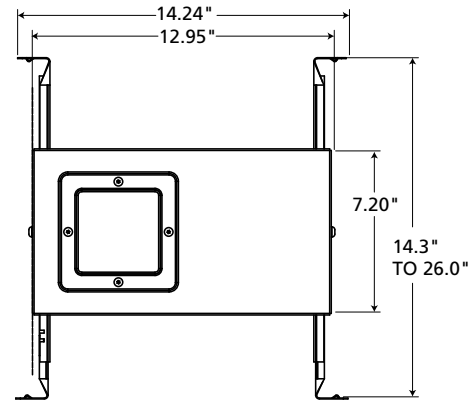
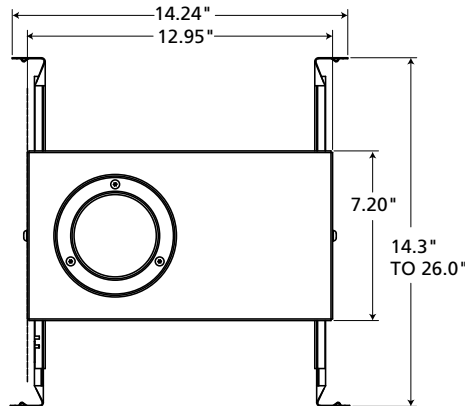
M4DL4 SERIES

DIMENSIONAL DATA

CROSS SECTION



BOTTOM VIEW



RECOMMENDED CEILING CUTOUT: R TRIM: 4.125" DIA.
NF TRIM: 4.750" DIA.

RECOMMENDED CEILING CUTOUT: R TRIM: 4.125" X 4.125"
NF TRIM: 4.750" X 4.750" FF TRIM: 4.875" X 4.875"



www.kenall.com | P: 800-4-Kenall | F: 262-891-9700 | 10200 55th Street Kenosha, Wisconsin 53144, USA
This product can comply with the latest domestic preference legislation, such as the Buy American Act (BAA), Trade Agreement Act (TAA), Build America, Buy America Act (BABA), and others. It may be covered by patents found at www.kenall.com/patents. Content of specification sheets is subject to change; please consult www.kenall.com for current product details. ©2024 Kenall Mfg. Co.

A brand of Legrand