

MEDMASTER™ Surgical Suite Luminaires

M2SE SERIES

PRODUCT FEATURES:

- » Surface ceiling mount – 2'x2'
- » One-piece sealed housing and doorframe for infection control
- » Smooth exterior lens for cleanability
- » Sureshield™ mesh filter reduces radiated emissions
- » Radiated and conducted emissions controlled as per MIL-STD-461F.



PROJECT INFORMATION

Job Name _____

Fixture Type _____

Catalog Number _____

Approved by _____

SPECIFICATIONS

HOUSING: 18-gauge CRS, hole-free seam welded construction. White TGIC polyester powder coat – 5-stage pre-treatment. Salt spray test: 1,000 hours; Reflectance: 92%. Antimicrobial finish standard on all exposed painted surfaces of installed luminaire.

DOORFRAME: 18-gauge CRS. One-piece inset construction welded corners. White TGIC polyester powder coat – 5-stage pre-treatment. Salt spray test: 1,000 hours; Reflectance: 92%. Doorframe secured to housing with stainless steel aircraft cables and captive flush mounted Phillips head stainless steel fasteners. Antimicrobial finish standard on all exposed painted surfaces of installed luminaire. Doorframe Gasket: One-piece closed cell silicone gasket seals doorframe to housing and ceiling structure.

LENS: Two piece design. Smooth lens exterior is .125" clear acrylic, sealed to doorframe with silicone sealant. Interior lens is .030" acrylic micro linear prism, both lenses mechanically secured in place. See options for alternate lenses.

OPTICS: Symmetric reflectors are CRS with a high reflectance powder coated surface. Asymmetric reflectors are premium 95% specular aluminum. Light direction reflectors are field changeable.

SURESHIELD™: Stainless steel mesh filter reduces radiated emissions.

ELECTRICAL: Electronic ballast <10% THD. Programmed-Start, low voltage electronic dimming ballast (DM7) designed to operate T8 or T5HO fluorescent lamps over a full range of light output (100-3% T8; 100-1% T5HO). Minimum Power Factor .98 for T5HO and .99 for T8. THD at full light output 10%. Operates from compatible 0-10VDC controllers on Class 1 or Class 2 low voltage systems. See Ordering Information for alternate or multiple ballasts and optional equipment. Lamps by others. RFI suppressor standard – one per circuit, one circuit standard.

INSTALLATION: Four .375" holes.

WARRANTY: Limited one (1) year Kenall fluorescent warranty.

LISTINGS: UL and CUL Listed for Wet Location. UL certified IP65 per IEC 60598. NSF2 Splash/Non-Food Zone. Meets FED-STD-209E/Class 100 (ISO 5) Cleanrooms. Radiated and conducted emissions controlled as per MIL-STD-461F (standard with electronic and electronic dimming ballasts).



ORDERING INFORMATION (Ex: M2SESI22-4-17-IS-L2-120-2F-2H-MLP)

Model	Lamp Qty	Lamp Type	Ballast Type	Lighting Levels	Voltage	Doorframe	Housing	Lens Type	Options
M2SESI22									
Lamp Quantity				Lighting Levels – See chart below for ballast and RFI information				Lens Type	
2**	Two			L1	One (STD)			MLP	Micro Linear Prism (STD)
3**	Three			L2	Two			SL	Specified Lens
4	Four			L3	Three (6 Lamps Only)			Options	
6	Six			LD	Dimmable			EL	One-Lamp Indoor Battery Pack (32°F)
4/2	Four White/Two Green			Voltage				FS	Fuse & Holder
				120	120 Volts			GL	Green Phosphor Lamps (17W T8, 550nm only, 2 lamps included)
				277	277 Volts			HJ	Sealed Wireway
				Doorframe Options				HD	Hinged Door (w/o NSF listings)
				2F	18-Ga CRS Painted Antimicrobial			** Symmetric Light Distribution	
				AF	Anodized Aluminum			• n/a with DM7 ballast	
				PAF	Painted (Antimicrobial) Fabricated Aluminum				
				5F	18-Ga Type 304 SS Brushed				
				Housing Options					
				2H	20-Ga CRS (Antimicrobial) (STD)				
				5H	20-Ga Type 304 SS				
				PAH	.050" Painted Aluminum (Antimicrobial)				

LAMPS	LEVEL 1	LEVEL 2	LEVEL 3	VARIABLE LEVEL (DIMMING)
(6) T8 Lamps	(2) 3 lamp ballasts + (1) RFI filter	(1) 4 lamp (1) 2 lamp ballasts + (2) RFI filters	(3) 2 lamp ballasts + (3) RFI filters	(2) 3 lamp dimming ballasts + (2) RFI filters
(4) T8 Lamps	(1) 4 lamp ballasts + (1) RFI filter	(2) 2 lamp ballasts + (2) RFI filters	N/A	(2) 2 lamp dimming ballasts + (2) RFI filters
(4) T8 Lamps + (2) T8 Green	N/A	(1) 4 lamp + (1) 2 lamp ballast (green) + (2) RFI filters	(2) 2 lamp + (1) 2 lamp ballast (green) + (3) RFI filters	(2) 2 lamp dimming ballasts + (1) 2 lamp dimming ballasts (green) + (3) RFI filters
(4) T5HO Lamps + TS	(2) 2 lamp ballasts + (1) RFI filter	(2) 2 lamp ballasts + (2) RFI filters	N/A	(2) 2 lamp dimming ballasts + (2) RFI filters



www.kenall.com | P: 800-4-Kenall | F: 262-891-9701 | 10200 55th Street Kenosha, Wisconsin 53144, USA

A brand of **legrand**

This product complies with the Buy American Act: manufactured in the United States with more than 50% of the component cost of US origin. It may be covered by patents found at www.kenall.com/patents. Content of specification sheets is subject to change; please consult www.kenall.com for current product details. ©2019 Kenall Mfg. Co.

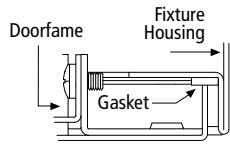
MEDMASTER™

Surgical Suite Luminaires

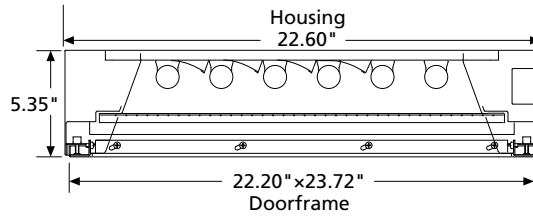
M2SE SERIES

DIMENSIONAL DATA

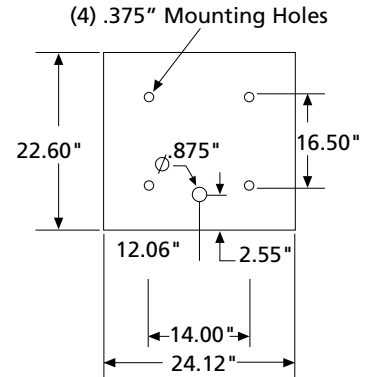
GASKET PROFILE



CROSS SECTION



CEILING CUTOUT



NOTE: ADD 1.75\" TO DEPTH WHEN FOLLOWING IS PICKED

- T8, T5, T5HO lamps with a light level three (3 circuits)
- T5, T5HO lamps with an EL pack for all light levels
- T8 lamps with an EL pack and light levels 2 or 3

