

# MEDMASTER™ Surgical Suite Luminaires

## M2SE SERIES

### PRODUCT FEATURES:

- » Recessed ceiling mount – grid; 1'x4'
- » One-piece sealed housing and doorframe for infection control
- » Smooth exterior lens for cleanability
- » Sureshield™ mesh filter reduces radiated emissions
- » Radiated and conducted emissions controlled as per MIL-STD-461F.



### PROJECT INFORMATION

Job Name \_\_\_\_\_

Fixture Type \_\_\_\_\_

Catalog Number \_\_\_\_\_

Approved by \_\_\_\_\_

### SPECIFICATIONS

**HOUSING:** 20-gauge CRS, hole-free seam welded construction. White TGIC polyester powder coat – 5-stage pre-treatment. Salt spray test: 1,000 hours; Reflectance: 92%. Antimicrobial finish standard on all exposed painted surfaces of installed luminaire.

**HOUSING FLANGE:** 18-gauge CRS. Mitered and welded corners then spot-welded to housing before painting.

**DOORFRAME:** 18-gauge CRS. One-piece inset construction welded corners. White TGIC polyester powder coat – 5-stage pre-treatment. Salt spray test: 1,000 hours; Reflectance: 92%. Doorframe secured to housing with stainless steel aircraft cables and captive flush mounted Phillips head stainless steel fasteners. Antimicrobial finish is standard on exposed painted surfaces of installed luminaire. Doorframe Gasket: One-piece closed cell silicone gasket doorframe to housing.

**LENS:** Two piece design. Smooth lens exterior is .125" clear acrylic, sealed to doorframe with silicone sealant. Interior lens is .030" acrylic micro linear prism, both lenses mechanically secured in place. See options for alternate lens.

**OPTICS:** Symmetric reflectors are CRS with a high reflectance powder coated surface. Asymmetric reflectors are premium 95% specular aluminum. Green phosphor lamp (GL Option) located in symmetric reflector area (see Cross Section).

**SURESHIELD™:** Stainless steel mesh filter reduces radiated emissions.

**ELECTRICAL:** Electronic ballast <10% THD. Programmed-Start, low voltage electronic dimming ballast (DM7) designed to operate T8 or T5HO fluorescent lamps over a full range of light output (100-3% T8; 100-1% T5HO). Minimum Power Factor .98 for T5HO and .99 for T8. THD at full light output 10%. Operates from compatible 0-10vdc controllers on Class 1 or Class 2 low voltage systems. See Ordering Information for alternate or multiple ballasts and optional equipment. Lamps by others. RFI suppressor standard – one per circuit, one circuit standard.

**INSTALLATION:** 1.0" and 1.5" T-Bar installation standard. See Options for T-Bar clips and earthquake clips. Consult factory for custom T-bar ceilings.

**WARRANTY:** Limited one (1) year Kenall fluorescent warranty.

**LISTINGS:** UL and CUL Listed for Wet Location. UL certified IP65 per IEC 60598. CCEA approved. Meets K230 Leakage Standard for luminaire leakage in pressurized environments and FED-STD-209E/Class 100 (ISO 5) Cleanrooms. Radiated and conducted emissions controlled as per MIL-STD-461F (standard with electronic and electronic dimming ballasts). NSF2 Splash/Non-Food Zone.



### ORDERING INFORMATION (Ex: M2SEGI14-2-28-RS-L1-120-2F-2H-MLP)

Model      Lamp Qty      Lamp Type      Ballast Type      Lighting Levels      Voltage      Doorframe      Housing/Flange      Lens Type      Options

#### M2SEGI14

#### Lamp Quantity

**2** Two  
**1/1** One White/One Green

#### Lamp Type

**28** F28T5  
**32** F32T8  
**32/32** One White/One Green  
**54** F54T5HO

#### Ballast Type

**IS** Instant Start Electronic <10% THD (T8)  
**RS** Rapid Start Electronic <10% THD (T8,T5,T5HO)  
**DM7** Low Voltage Electronic Dimming Ballast

#### Lighting Levels

See chart below for ballast and RFI information

**L1** One  
**L2** Two  
**LD** Dimmable

#### Voltage

**120** 120 Volts  
**277** 277 Volts

#### Doorframe Options

**2F** 18-Ga CRS Painted Antimicrobial  
**AF** Anodized Extruded Aluminum  
**PAF** Painted Antimicrobial Fabricated Aluminum  
**5F** 18-Ga Type 304 SS Brushed

#### Housing/Flange Options

**2H** 20-Ga CRS (Antimicrobial) (STD)  
**5H** 20-Ga Type 304 SS  
**2H5** 20-Ga CRS/20-Ga Type 304 SS  
**PAH** .050" Painted Aluminum (Antimicrobial)

#### Lens Type

**MLP** Micro Linear Prism  
**SL** Specified Lens

#### Options

**EL** One-Lamp Battery Pack (32° F)  
**FS** Fuse & Holder  
**HJ** Sealed Wireway  
**GL** Green Phosphor Lamp (32W T8, 550nm only, 1 lamp included)  
**HD** Hinged Door (w/o NSF listings)  
**EC** Earthquake Clips  
**TC** T-Bar Clips

#### Lighting Levels – Ballast and RFI Information

LAMPS	LEVEL 1	LEVEL 2	VARIABLE LEVEL (DIMMING)
(2) T8 Lamps	(1) 2 lamp ballast with (1) RFI filter	(2) 1 lamp ballasts with (2) RFI filters	(1) 2 lamp dimming ballast with (1) RFI filter
(1) T8 Lamp + (1) T8 Green	N/A	(1) 1 lamp + (1) 1 lamp ballast (green) with (2) RFI filters	(1) 1 lamp dimming ballast + (1) 1 lamp dimming ballasts (green) with (2) RFI filters
(2) T5HO Lamps (2) T5	(1) 2 lamp ballast with (1) RFI filter	(2) 1 lamp ballasts with (2) RFI filters	(1) 2 lamp dimming ballast with (1) RFI filter



www.kenall.com | P: 800-4-Kenall | F: 262-891-9701 | 10200 55th Street Kenosha, Wisconsin 53144, USA

This product complies with the Buy American Act: manufactured in the United States with more than 50% of the component cost of US origin. It may be covered by patents found at www.kenall.com/patents. Content of specification sheets is subject to change; please consult www.kenall.com for current product details. ©2019 Kenall Mfg. Co.

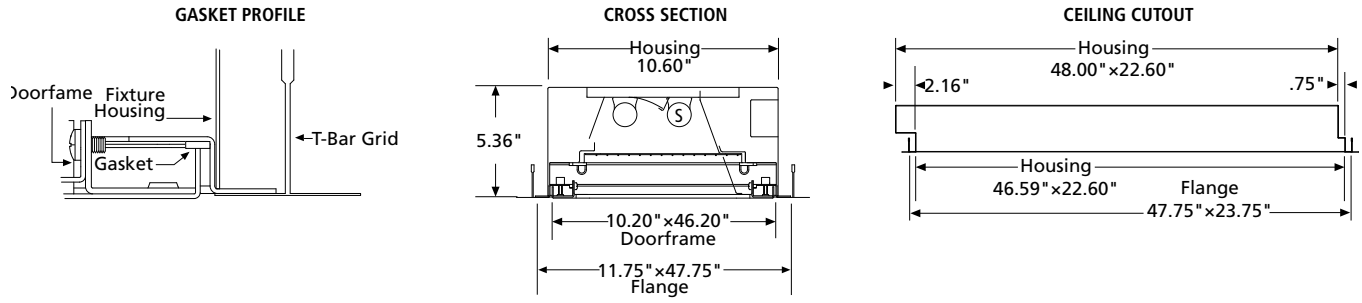
A brand of **legrand**

**MEDMASTER™**  
Surgical Suite Luminaires

For additional photometry, go to [www.kenall.com](http://www.kenall.com)

**M2SE SERIES**

**DIMENSIONAL DATA**



[www.kenall.com](http://www.kenall.com) | P: 800-4-Kenall | F: 262-891-9701 | 10200 55th Street Kenosha, Wisconsin 53144, USA

A brand of **legrand**

This product complies with the Buy American Act: manufactured in the United States with more than 50% of the component cost of US origin. It may be covered by patents found at [www.kenall.com/patents](http://www.kenall.com/patents). Content of specification sheets is subject to change; please consult [www.kenall.com](http://www.kenall.com) for current product details. ©2019 Kenall Mfg. Co.