

# LUXTRAN™ Luminaires for Tunnel Applications

## LTSIU-A2 SERIES

### PRODUCT FEATURES:

- » Suitable for supplemental lighting in transition zones with a ceiling or wall orientation
- » Optical configurations designed for tunnel lighting applications
- » Stainless steel structural construction with marine-grade aluminum heat sinks
- » 10 Year limited product warranty
- » Universal housing installation from threshold to exit zone



### PROJECT INFORMATION

Job Name \_\_\_\_\_

Fixture Type \_\_\_\_\_

Catalog Number \_\_\_\_\_

Approved by \_\_\_\_\_

### SPECIFICATIONS

**CHASSIS:** 16-gauge Type 304 or Type 316 stainless steel enclosure with one-piece, seam-welded construction; 2B finish; passivated post-welding. 14-gauge die-formed and welded mounting points; custom mounting detail to tunnel structure available.

**HEAT SINKS:** Type 413 marine-grade die-cast aluminum, coatings to withstand either 1,000 hour or 5,000 hour salt fog test per ASTM B117. Electrically insulated from stainless steel chassis.

**DOORFRAME:** 16-gauge Type 304 or Type 316 stainless steel doorframe with one-piece, seam-welded construction; 2B finish; passivated post-welding. Stainless steel safety cables attach to chassis. Lockable rotary latches (lock by others) constructed of matching grade stainless steel.

**GASKETING:** One-piece extruded solid silicone with molded corners.

**OPTICS:** Type II, Pro-Beam, Type V-Narrow Round and Type V Square optical distributions. Clear tempered glass or polycarbonate tertiary lens. Optic/lamp can be rotated, in 90 degree increments, within the fixture housing.

**ELECTRICAL:** Serviceable high-brightness LED array. See Ordering Information for color temperature options. 65 CRI minimum. 120-277 VAC, 50/60Hz single-phase input; <20% THD, >0.90 PF. Minimum 90% electrical efficiency. Standard 0-10V dimming with 10-100% range. EMC compliant with FCC 47 CFR Part 15, Class B. Passes IEC 61000-4-4 EFT and IEC 61000-4-5 (Class 4) surge evaluation. Integral surge protector (standard). 3/4" conduit connection standard, 1/2" trade size optional.

**INSTALLATION:** Wall or ceiling orientation, see Ordering Information for selection. Mounting hardware provided by others. Conduit entry on back of luminaire. Ambient temperature rating is -40°C to 40°C (55°C on 100L).

**PHOTOMETRICS:** Photometry tested to the IESNA LM-79-08 standard by an ILAC/ISO17025 accredited laboratory. For additional photometric data, please go to [www.kenall.com](http://www.kenall.com).

**WARRANTY:** Limited ten (10) year warranty.

**LISTINGS:** Luminaire is certified to UL Standards by Intertek Testing Laboratory for Wet Location. IP66 rating per IEC 60598. Rated to NEMA 4X. Luminaire is 3G vibration tested per ANSI C136.31. Passes ANSI C136.27-2012 qualification test.



### ORDERING INFORMATION (Ex: LTSIU-A2-C-SM-2-8-390L50K-DCC-DV-304-5KF)

Model	Size Configuration	Mounting	Mounting Design	Dist. Type	Lens Type	Lamp Type	Driver Type	Voltage	Housing Mtrl	Heat Sink Finish	Options
<b>LTSIU</b>	<b>A2</b>						<b>DCC</b>				
	<b>Size Configuration</b>				<b>Lens Type</b>			<b>Voltage</b>			
	<b>A2</b>	1x2 Module Array			<b>8</b>	.188" (.48 cm) Tempered Glass Lens (STD)		<b>DV</b>	120-277 VAC Nominal Range		
	<b>Mounting</b>				<b>G</b>	.187" (.47 cm) Clear Polycarbonate		<b>CV</b>	277-480 VAC Nominal Range		
	<b>C</b>	Ceiling						<b>Housing Material</b>			
	<b>W</b>	Wall						<b>304</b>	Type 304 Stainless Steel (STD)		
	<b>Mounting Design Detail</b>				<b>Lamp Type</b>			<b>316</b>	Type 316 Stainless Steel		
	<b>SM</b>	Standard Mounting Detail (as shown)			<b>100L40K</b>	100 Watt 4000K LED		<b>Heat Sink Finish</b>			
	<b>CM</b>	Custom/Project-Specific Mounting (consult factory)			<b>100L50K</b>	100 Watt 5000K LED		<b>1KF</b>	1,000 Hour Finish (STD)		
	<b>Distribution Type</b>				<b>100L57K</b>	100 Watt 5700K LED		<b>5KF</b>	5,000 Hour Finish		
	<b>2</b>	Type II			<b>192L40K</b>	192 Watt 4000K LED		<b>Options</b>			
	<b>2A*</b>	Type II A			<b>192L50K</b>	192 Watt 5000K LED		<b>FS</b>	Single Fuse and Holder		
	<b>PB†</b>	Pro-Beam			<b>192L57K</b>	192 Watt 5700K LED		<b>CO</b>	1/2" Conduit Connection		
	<b>5N</b>	Type V – Narrow Round			<b>216L40K</b>	216 Watt 4000K LED					
	<b>5S</b>	Type V – Square			<b>216L50K</b>	216 Watt 5000K LED					
					<b>216L57K</b>	216 Watt 5700K LED					
					<b>300L40K</b>	300 Watt 4000K LED					
					<b>300L50K</b>	300 Watt 5000K LED					
					<b>300L57K</b>	300 Watt 5700K LED					
					<b>390L40K</b>	390 Watt 4000K LED					
					<b>390L50K</b>	390 Watt 5000K LED					
					<b>390L57K</b>	390 Watt 5700K LED					
					<b>Driver Type</b>						
					<b>DCC</b>	Dimming Constant Current					

\* Only Available with 192L Lamp Type  
† n/a with 192L Lamp Type



www.kenall.com | P: 800-4-Kenall | F: 262-891-9701 | 10200 55th Street Kenosha, Wisconsin 53144, USA

A brand of **legrand**

This product complies with the Buy American Act: manufactured in the United States with more than 50% of the component cost of US origin. It may be covered by patents found at [www.kenall.com/patents](http://www.kenall.com/patents). Content of specification sheets is subject to change; please consult [www.kenall.com](http://www.kenall.com) for current product details. ©2019 Kenall Mfg. Co.

# LUXTRAN™ Luminaires for Tunnel Applications

## LTSIU SERIES

### PERFORMANCE

Number of LEDs	Lamp Type	Initial Delivered Lumens				Efficacy (lm/W)	Input Power (W)	Drive Current (mA)	Estd. L <sub>70</sub> LED Life (hrs)	50K Hours Lumen Maintenance factor @25°C
		Type II	Type PB	Type 5N	Type 5S					
96	100L40K	10,461	7,746	11,164	9,498	74 - 107	104	350	150,000	90%
96	100L50K	11,147	8,254	11,896	10,121	79 - 114	104	350	150,000	90%
96	100L57K	11,919	8,825	12,720	10,821	85 - 122	104	350	150,000	90%
96	216L40K	19,064	14,115	19,560	16,643	67 - 92	212	700	125,000	92%
96	216L50K	20,314	15,041	20,843	17,734	71 - 98	212	700	125,000	92%
96	216L57K	21,720	16,082	22,286	18,962	76 - 105	212	700	125,000	92%
96	300L40K	22,108	18,661	24,598	23,849	60 - 80	309	1050	110,000	85%
96	300L50K	23,558	19,884	26,211	25,413	64 - 85	309	1050	110,000	85%
96	300L57K	25,189	21,261	28,026	27,172	69 - 91	309	1050	110,000	85%
96	390L40K	28,249	23,844	31,431	30,474	56 - 74	427	1400	80,000	80%
96	390L50K	30,101	25,407	33,492	32,472	60 - 78	427	1400	80,000	80%
96	390L57K	32,185	27,166	35,811	34,720	64 - 84	427	1400	80,000	80%

Number of LEDs	Lamp Type	Initial Delivered Lumens				Efficacy (lm/W)	Input Power (W)	Drive Current (mA)	Estd. L <sub>70</sub> LED Life (hrs)	50K Hours Lumen Maintenance factor @25°C
		Type II	Type II A	Type 5N	Type 5S					
96	192L40K	22,948	25,495	27,434	25,587	107 - 128	215	700	125,000	92%
96	192L50K	22,948	25,495	27,434	25,587	107 - 128	215	700	125,000	92%
96	192L57K	22,948	25,495	27,434	25,587	107 - 128	215	700	125,000	92%

Information above was tested with Type 8 tempered glass lens. Subject to change without notice. Visit [www.kenall.com](http://www.kenall.com) for additional IES files and information.

### LUMEN AMBIENT TEMPERATURE (LAT) FACTORS

10°C	15°C	20°C	25°C	30°C	35°C	40°C
1.03	1.02	1.01	1.00	0.99	0.98	0.97



[www.kenall.com](http://www.kenall.com) | P: 800-4-Kenall | F: 262-891-9701 | 10200 55th Street Kenosha, Wisconsin 53144, USA

This product complies with the Buy American Act: manufactured in the United States with more than 50% of the component cost of US origin. It may be covered by patents found at [www.kenall.com/patents](http://www.kenall.com/patents). Content of specification sheets is subject to change; please consult [www.kenall.com](http://www.kenall.com) for current product details. ©2019 Kenall Mfg. Co.

A brand of legrand

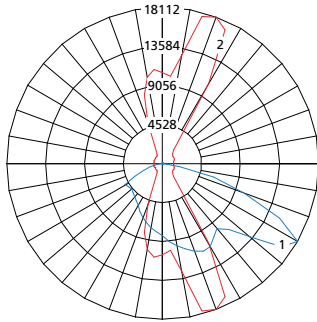
**LUXTRAN™**  
Luminaires for Tunnel Applications

**LTSIU SERIES**

**PERFORMANCE**

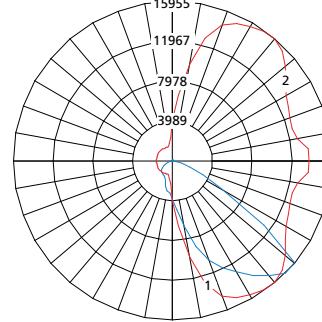
For additional photometry, go to [www.kenall.com](http://www.kenall.com)

Model: LTSI-2-300L57K



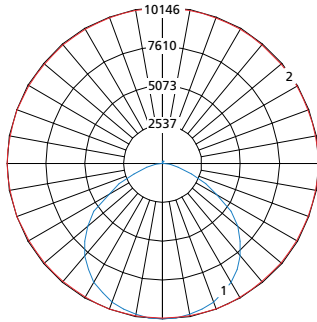
Max Candela = 18112 Located At Horizontal Angle = 70, Vertical Angle = 60  
 1 - Vertical Plane Through Horizontal Angles (70 - 250) (Through Max. Cd.)  
 2 - Horizontal Cone Through Vertical Angle (60) (Through Max. Cd.)

Model: LTSI-PB-300L57K



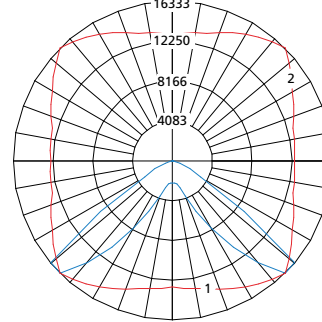
Max Candela = 15955 Located At Horizontal Angle = 50, Vertical Angle = 45  
 1 - Vertical Plane Through Horizontal Angles (50 - 230) (Through Max. Cd.)  
 2 - Horizontal Cone Through Vertical Angle (45) (Through Max. Cd.)

Model: LTSI-5N-300L57K



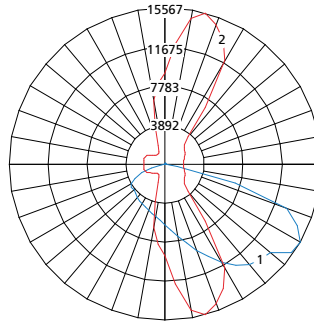
Max Candela = 10146 Located At Horizontal Angle = 0, Vertical Angle = 5  
 1 - Vertical Plane Through Horizontal Angles (0 - 180) (Through Max. Cd.)  
 2 - Horizontal Cone Through Vertical Angle (5) (Through Max. Cd.)

Model: LTSI-5S-300L57K



Max Candela = 16333 Located At Horizontal Angle = 45, Vertical Angle = 45  
 1 - Vertical Plane Through Horizontal Angles (45 - 225) (Through Max. Cd.)  
 2 - Horizontal Cone Through Vertical Angle (45) (Through Max. Cd.)

Model: LTSI-2A-192L40K7



Max Candela = 15567 Located At Horizontal Angle = 75, Vertical Angle = 60  
 1 - Vertical Plane Through Horizontal Angles (75 - 255) (Through Max. Cd.)  
 2 - Horizontal Cone Through Vertical Angle (60) (Through Max. Cd.)



[www.kenall.com](http://www.kenall.com) | P: 800-4-Kenall | F: 262-891-9701 | 10200 55th Street Kenosha, Wisconsin 53144, USA

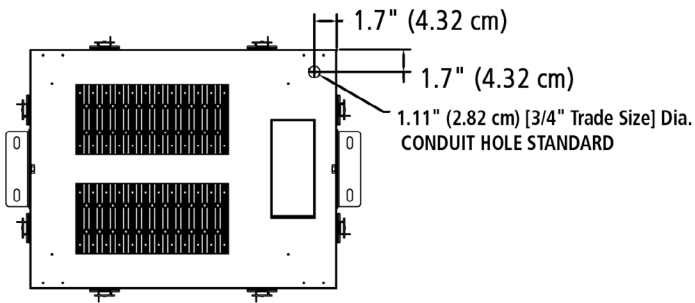
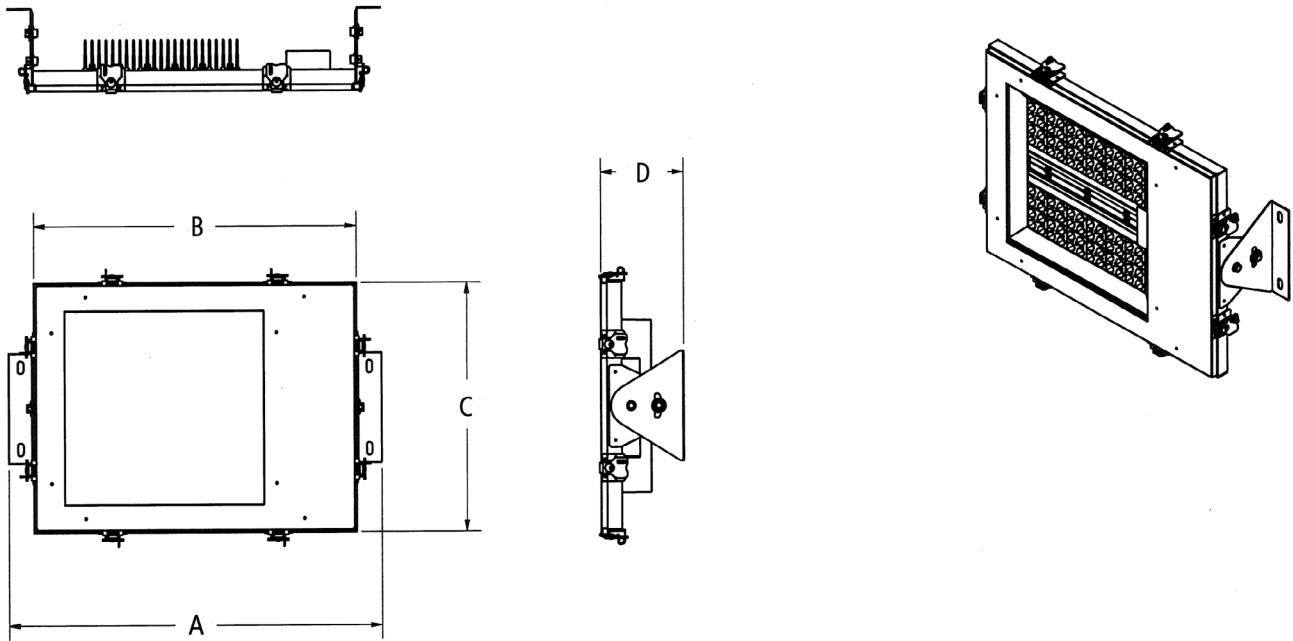
This product complies with the Buy American Act: manufactured in the United States with more than 50% of the component cost of US origin. It may be covered by patents found at [www.kenall.com/patents](http://www.kenall.com/patents). Content of specification sheets is subject to change; please consult [www.kenall.com](http://www.kenall.com) for current product details. ©2019 Kenall Mfg. Co.

A brand of **legrand**

**LUXTRAN™**  
Luminaires for Tunnel Applications

**LTSIU SERIES**

**DIMENSIONAL DATA**



Bottom View

Lamp	A	B	C	D
100L/216L	27.00 in (68.58 cm)	23.40 in (59.44 cm)	18.20 in (46.23 cm)	6.00 in (15.24 cm) Fixed Height
300L/390L	27.00 in (68.58 cm)	23.40 in (59.44 cm)	18.20 in (46.23 cm)	9.80 in (24.89 cm) Fixed Height

