

# LUXTRAN™ Luminaires for Tunnel Applications

## LTSIU-A1 SERIES

### PROJECT INFORMATION

Job Name \_\_\_\_\_

Fixture Type \_\_\_\_\_

Catalog Number \_\_\_\_\_

Approved by \_\_\_\_\_

#### PRODUCT FEATURES:

- » Suitable for ceiling or wall mounted orientation
- » Optical configurations designed for tunnel or underpass lighting applications
- » Stainless steel structural construction with marine-grade aluminum heat sinks
- » 10 Year limited product warranty
- » Universal housing installation for tunnels and underpasses



#### SPECIFICATIONS

**CHASSIS:** 18-gauge Type 304 stainless steel enclosure with one-piece, seam-welded construction; 2B finish; passivated post-welding. 14-gauge die-formed and welded mounting points; custom mounting detail to tunnel structure available.

**HEAT SINKS:** Type 413 marine-grade die-cast aluminum, coatings to withstand 1,000 hour salt fog test per ASTM B117. Electrically insulated from stainless steel chassis.

**DOORFRAME:** 16-gauge Type 304 stainless steel doorframe with one-piece, seam-welded construction; 2B finish; passivated post-welding. Stainless steel safety cables attach to chassis. Lockable rotary latches (lock by others) constructed of matching grade stainless steel.

**GASKETING:** One-piece extruded solid silicone with molded corners.

**OPTICS:** Type II, Type V Square and Type V 30° Cutoff optical distributions. Clear tempered glass lens. Optic/lamp can be rotated, in 90 degree increments, within the fixture housing.

**ELECTRICAL:** Serviceable high-brightness LED array. See Ordering Information for lamp type options. 70 CRI minimum. 120-277 VAC, 50/60Hz single-phase input; <20% THD, >0.90 PF. Minimum 90% electrical efficiency. Standard 0-10V dimming with 10-100% range. EMC compliant with FCC 47 CFR Part 15, Class B. Passes IEC 61000-4-4 EFT and IEC 61000-4-5 (Class 4) surge evaluation. Integral surge protector (standard). 3/4" conduit connection standard, 1/2" trade size optional.

**OPTIONAL CONTROLS:** Optional control module available with compatible third party controls. To see the full list of compatible controls, [click here](#).

**INSTALLATION:** Wall or ceiling orientation. Mounting hardware provided by others. Conduit entry on back of luminaire. Ambient temperature rating is -40°C to 40°C (55°C on 47L).

**PHOTOMETRICS:** Photometry tested to the IESNA LM-79-08 standard by an ILAC/ISO17025 accredited laboratory. For additional photometric data, please go to [www.kenall.com](http://www.kenall.com).

**WARRANTY:** Limited ten (10) year warranty.

**LISTINGS:** Luminaire is certified to UL Standards by Intertek Testing Laboratory for Wet Location. IP66 rating per IEC 60598. Luminaire is 3G vibration tested per ANSI C136.31. Passes ANSI C136.27-2012 qualification test. DOE LED Lighting Facts program partner.



#### ORDERING INFORMATION (Ex: LTSIU-A1-C-SM-2-8-47L30K-DCC-DV-304-1KF)

Model	Size Configuration	Mounting	Mounting Design	Dist. Type	Lens Type	Lamp Type	Driver Type	Voltage	Housing Mtrl	Heat Sink Finish	Options
<b>LTSIU</b>	<b>A1</b>				<b>8</b>		<b>DCC</b>	<b>DV</b>	<b>304</b>	<b>1KF</b>	
	<b>Size Configuration</b>				<b>Lens Type</b>				<b>Housing Material</b>		
	A1	1 Module Array			8	.188" (.48 cm) Tempered Glass Lens			304	Type 304 Stainless Steel	
	<b>Mounting</b>				<b>Lamp Type</b>				<b>Heat Sink Finish</b>		
	C	Ceiling			47L30K	47 Watt 3000K LED			1KF	1,000 Hour Finish	
	W	Wall			72L30K	72 Watt 3000K LED					
					94L30K	94 Watt 3000K LED			<b>Options</b>		
	<b>Mounting Design Detail</b>				<b>Driver Type</b>				FS1	Single Fuse and Holder (600V, Dual Element/Time-Delay Standard)	
	SM	Standard Mounting Detail (as shown)			DCC	Dimming Constant Current			FS2	Double Fuse and Holder (600V, Dual Element/Time-Delay Standard)	
	CM	Custom/Project-Specific Mounting (consult factory)			<b>Voltage</b>				CO	1/2" Conduit Connection	
	<b>Distribution Type</b>				DV	120-277 VAC			LPCM	NYX Hemera Local Programmable Control Module (for Power Line Control; click <a href="#">here</a> for specifications)	
	2	Type II									
	5S	Type V – Square									
	5C	Type V – 30° cutoff									



www.kenall.com | P: 800-4-Kenall | F: 262-891-9701 | 10200 55th Street Kenosha, Wisconsin 53144, USA

This product complies with the Buy American Act: manufactured in the United States with more than 50% of the component cost of US origin. It may be covered by patents found at [www.kenall.com/patents](http://www.kenall.com/patents). Content of specification sheets is subject to change; please consult [www.kenall.com](http://www.kenall.com) for current product details. ©2022 Kenall Mfg. Co.

A brand of **legrand**

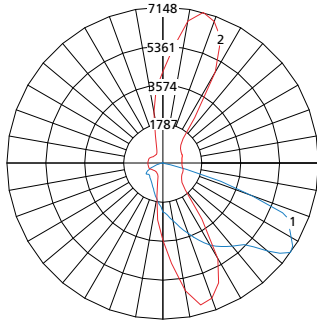
# LUXTRAN™ Luminaires for Tunnel Applications

## LTSIU SERIES

### PERFORMANCE

Size Config	Lamp Code	Initial Delivered Flux (lm)			Efficacy (lm/W)	Input Power (W)	Estd. L70 LED Life (hrs)	Lumen Maintenance @ 50k Hrs
		Type 2	Type 5S	Type 5C				
A1	47L-30K8	5,997	6,025	6,348	115 - 122	52	125,000	92%
	72L-30K8	8,791	8,597	8,881	110 - 114	78	110,000	85%
	94L-30K8	10,515	10,665	11,084	101 - 107	104	80,000	80%

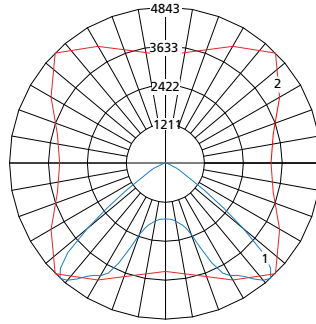
Model: LTSIU-A1-2-8-72L30K-DCC-DV-304-1KF-FS



Max Candela = 7148 Located At Horizontal Angle = 75, Vertical Angle = 55

- 1 - Vertical Plane Through Horizontal Angles (75 - 255) (Through Max. Cd.)
- 2 - Horizontal Cone Through Vertical Angle (55) (Through Max. Cd.)

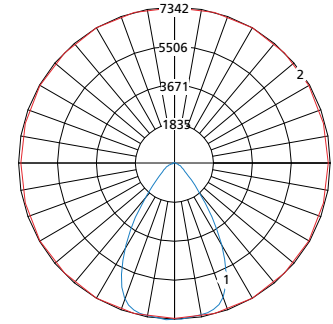
Model: LTSIU-A1-5S-8-72L30K-DCC-DV-304-1KF-FS



Max Candela = 4843 Located At Horizontal Angle = 45, Vertical Angle = 42.5

- 1 - Vertical Plane Through Horizontal Angles (45 - 225) (Through Max. Cd.)
- 2 - Horizontal Cone Through Vertical Angle (42.5) (Through Max. Cd.)

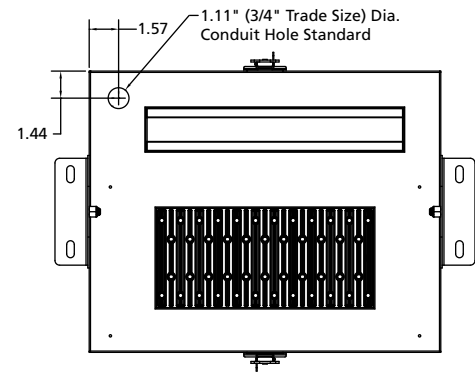
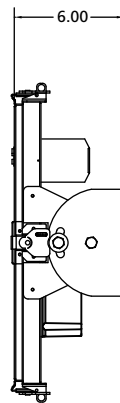
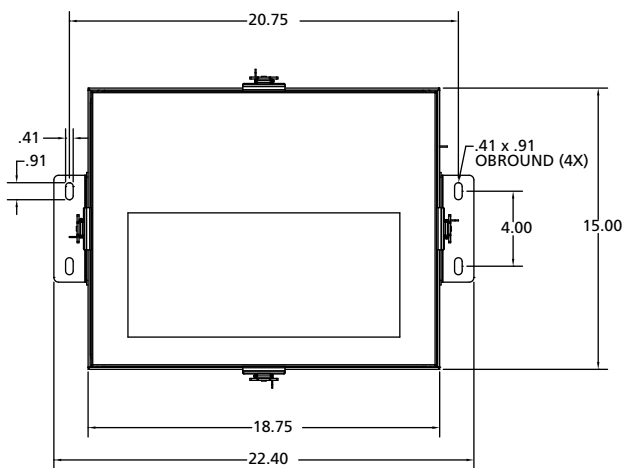
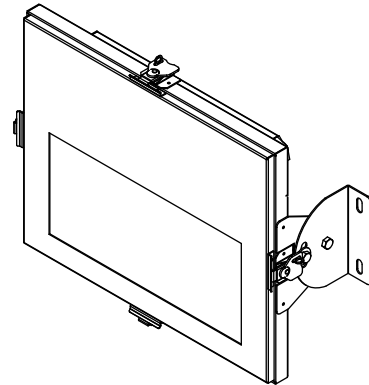
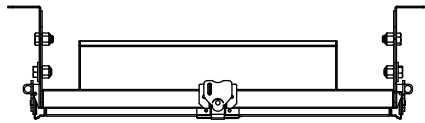
Model: LTSIU-A1-5C-8-72L30K-DCC-DV-304-1KF-FS



Max Candela = 7342 Located At Horizontal Angle = 60, Vertical Angle = 2.5

- 1 - Vertical Plane Through Horizontal Angles (60 - 240) (Through Max. Cd.)
- 2 - Horizontal Cone Through Vertical Angle (2.5) (Through Max. Cd.)

### DIMENSIONAL DATA



[www.kenall.com](http://www.kenall.com) | P: 800-4-Kenall | F: 262-891-9701 | 10200 55th Street Kenosha, Wisconsin 53144, USA

This product complies with the Buy American Act: manufactured in the United States with more than 50% of the component cost of US origin. It may be covered by patents found at [www.kenall.com/patents](http://www.kenall.com/patents). Content of specification sheets is subject to change; please consult [www.kenall.com](http://www.kenall.com) for current product details. ©2022 Kenall Mfg. Co.

A brand of Legrand