

LUXTRAN™ Luminaires for Tunnel Applications

LTSI-A1 SERIES

PRODUCT FEATURES:

- » Powered by Integral Driver
- » Suitable for supplemental lighting in various tunnel zones with a ceiling or wall orientation
- » Optical configurations designed for tunnel lighting applications
- » Stainless steel structural construction with marine-grade aluminum heat sinks
- » 10 Year limited product warranty



PROJECT INFORMATION

Job Name _____

Fixture Type _____

Catalog Number _____

Approved by _____

SPECIFICATIONS

CHASSIS: 16-gauge Type 304 or Type 316 stainless steel enclosure with one-piece, seam-welded construction; 2B finish; passivated post-welding. 14-gauge die-formed and welded mounting points; custom mounting detail to tunnel structure available.

HEAT SINKS: Type 413 marine-grade die-cast aluminum, coatings to withstand either 1,000 hour or 5,000 hour salt fog test per ASTM B117. Electrically insulated from stainless steel chassis.

DOORFRAME: 16-gauge Type 304 or Type 316 stainless steel doorframe with one-piece, seam-welded construction; 2B finish; passivated post-welding. Stainless steel safety cables attach to chassis. Lockable rotary latches (lock by others) constructed of matching grade stainless steel.

GASKETING: One-piece extruded silicone with molded corners.

OPTICS: Type II, III, 4N, 4W and 5S optical distributions. Clear tempered glass or polycarbonate lens.

ELECTRICAL: Serviceable high-brightness LED array. See Ordering Information for color temperature and CRI options. 70 CRI minimum. 120-277 or 277-480 VAC, 50/60Hz single-phase input; <20% THD, >0.90 PF. Minimum 90% electrical efficiency. Standard 0-10V dimming with 0-100% range. 5-100% dimming range with dim-to-dark capabilities @ 0V (100µA maximum source current). EMC compliant with FCC 47 CFR Part 15, Class B. Passes IEC 61000-4-4 EFT and IEC 61000-4-5 (Class 4) surge evaluation with standard integral surge protector. 3/4" conduit opening standard, other trade size openings available upon request.

OPTIONAL CONTROLS: Optional control module available with compatible third party controls. To see the full list of compatible controls, [click here](#).

INSTALLATION: Wall or ceiling orientation, see Ordering Information for selection. Mounting hardware provided by others. Conduit entry on back of luminaire, standard. Ambient temperature rating is -40°C to 40°C (55°C on 92L, 50°C on 140L; consult factory for higher ambient limits on a per-project basis).

PHOTOMETRICS: Photometry tested to the IESNA LM-79-08 standard by an ILAC/ISO17025 accredited laboratory. For additional photometric data, please go to www.kenall.com.

WARRANTY: Limited ten (10) year warranty.

LISTINGS: Luminaire is certified to UL Standards by Intertek Testing Laboratory for Wet Location. IP66 rating per IEC 60598. Rated to NEMA 4X. Luminaire is 3G vibration tested per ANSI C136.31. Passes ANSI C136.27-2012 qualification test. Build America, Buy America Act compliant.



ORDERING INFORMATION (EX: LTSI-A1-C-SM-2-8-295L-40K7-DIM5-CV-304-1KF)

| Model | Size Configuration | Mounting | Mounting Design | Dist. Type | Lens Type | Lamp Power | Lamp Color | Driver Type | Voltage | Housing Mtrl | Heat Sink Finish | Options |
|-------------|---|----------|-----------------|------------|--------------------------------------|------------|------------|-------------|---|--------------|------------------|---------|
| LTSI | A1 | | | | | | | DIM5 | | | | |
| | Size Configuration | | | | Lens Type | | | | Voltage | | | |
| | A1 1 Module Array | | | | 8 .188" (.48 cm) Tempered Glass Lens | | | | DV 120-277 VAC Nominal Range | | | |
| | | | | | 7 .187" (.47 cm) Clear Polycarbonate | | | | CV 277-480 VAC Nominal Range | | | |
| | Mounting | | | | Lamp Power | | | | Housing Material | | | |
| | C Ceiling | | | | 92L 92 Watt LED | | | | 304 Type 304 Stainless Steel | | | |
| | W Wall | | | | 140L 140 Watt LED | | | | 316 Type 316 Stainless Steel | | | |
| | Mounting Design Detail | | | | 192L 192 Watt LED | | | | Heat Sink Finish | | | |
| | SM Standard Mounting Detail (as shown) | | | | 235L 235 Watt LED | | | | 1KF 1,000 Hour Finish | | | |
| | CM Custom/Project-Specific Mounting (consult factory) | | | | 295L 295 Watt LED | | | | 5KF 5,000 Hour Finish | | | |
| | Distribution Type | | | | Lamp Color | | | | Options | | | |
| | 2 Type II | | | | 30K7 3000K / 70 CRI min. | | | | FS1 Single Fuse and Holder (600V, Dual Element/Time-Delay Standard) | | | |
| | 3 Type III | | | | 40K7 4000K / 70 CRI min. | | | | FS2 Double Fuse and Holder (600V, Dual Element/Time-Delay Standard) | | | |
| | 4N Type IV – Narrow | | | | 40K8 4000K / 80 CRI min. | | | | LPCM NYX Hemera Local Programmable Control Module (for Power Line Control; click here for specifications) | | | |
| | 4W Type IV – Wide | | | | 50K7 5000K / 70 CRI min. | | | | | | | |
| | 5S Type V – Square | | | | Driver Type | | | | | | | |
| | | | | | DIM5 0-10V Dimming to 5% | | | | | | | |



www.kenall.com | P: 800-4-Kenall | F: 262-891-9700 | 10200 55th Street Kenosha, Wisconsin 53144, USA
 This product is able to comply with the latest domestic preference legislation, such as the Buy American Act (BAA), Trade Agreement Act (TAA), Build America, Buy America Act (BABA), and others. It may be covered by patents found at www.kenall.com/patents. Content of specification sheets is subject to change; please consult www.kenall.com for current product details. ©2025 Kenall Mfg. Co.

A brand of **legrand**

LUXTRAN™ Luminaires for Tunnel Applications

LTSI-A1 SERIES

PERFORMANCE

| Lamp - Color Code | Initial Delivered Lumens (lm) | | | | | Efficacy (lm/W) | Input Power (W) | TM-21 Reported L70 (hrs) | Lumen Maintenance @ 50k Hrs |
|-------------------|-------------------------------|--------|---------|---------|---------|-----------------|-----------------|--------------------------|-----------------------------|
| | Type 2 | Type 3 | Type 4N | Type 4W | Type 5S | | | | |
| 92L-30K7 | 14,880 | 13,406 | 15,203 | 15,003 | 14,799 | 130 - 147 | 103 | 150,000 | 95% |
| 92L-40K7 | 15,643 | 14,094 | 15,982 | 15,772 | 15,558 | 137 - 155 | 103 | 150,000 | 95% |
| 92L-40K8 | 14,880 | 13,406 | 15,203 | 15,003 | 14,799 | 130 - 147 | 103 | 150,000 | 95% |
| 92L-50K7 | 15,643 | 14,094 | 15,982 | 15,772 | 15,558 | 137 - 155 | 103 | 150,000 | 95% |
| 140L-30K7 | 21,733 | 19,581 | 22,205 | 21,913 | 21,616 | 124 - 140 | 158 | 125,000 | 92% |
| 140L-40K7 | 22,848 | 20,585 | 23,343 | 23,036 | 22,724 | 130 - 147 | 158 | 125,000 | 92% |
| 140L-40K8 | 21,733 | 19,581 | 22,205 | 21,913 | 21,616 | 124 - 140 | 158 | 125,000 | 92% |
| 140L-50K7 | 22,848 | 20,585 | 23,343 | 23,036 | 22,724 | 130 - 147 | 158 | 125,000 | 92% |
| 192L-30K7 | 27,357 | 24,648 | 27,950 | 27,582 | 27,208 | 114 - 129 | 216 | 120,000 | 89% |
| 192L-40K7 | 28,760 | 25,911 | 29,383 | 28,997 | 28,604 | 120 - 136 | 216 | 120,000 | 89% |
| 192L-40K8 | 27,357 | 24,648 | 27,950 | 27,582 | 27,208 | 114 - 129 | 216 | 120,000 | 89% |
| 192L-50K7 | 28,760 | 25,911 | 29,383 | 28,997 | 28,604 | 120 - 136 | 216 | 120,000 | 89% |
| 235L-30K7 | 30,849 | 27,794 | 31,518 | 31,103 | 30,682 | 113 - 128 | 247 | 110,000 | 87% |
| 235L-40K7 | 32,431 | 29,219 | 33,135 | 32,699 | 32,255 | 118 - 134 | 247 | 110,000 | 87% |
| 235L-40K8 | 30,849 | 27,794 | 31,518 | 31,103 | 30,682 | 113 - 128 | 247 | 110,000 | 87% |
| 235L-50K7 | 32,431 | 29,219 | 33,135 | 32,699 | 32,255 | 118 - 134 | 247 | 110,000 | 87% |
| 295L-30K7 | 37,184 | 33,501 | 37,990 | 37,490 | 36,982 | 102 - 116 | 328 | 100,000 | 85% |
| 295L-40K7 | 39,090 | 35,219 | 39,938 | 39,413 | 38,879 | 107 - 122 | 328 | 100,000 | 85% |
| 295L-40K8 | 37,184 | 33,501 | 37,990 | 37,490 | 36,982 | 102 - 116 | 328 | 100,000 | 85% |
| 295L-50K7 | 39,090 | 35,219 | 39,938 | 39,413 | 38,879 | 107 - 122 | 328 | 100,000 | 85% |

Information above was tested with an outer tempered glass lens. Subject to change without notice. Visit www.kenall.com for IES files and additional information.

LUMEN AMBIENT TEMPERATURE (LAT) FACTORS

| 10°C | 15°C | 20°C | 25°C | 30°C | 35°C | 40°C |
|------|------|------|------|------|------|------|
| 1.03 | 1.02 | 1.01 | 1.00 | 0.99 | 0.98 | 0.97 |

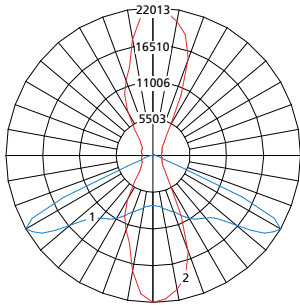


LUXTRAN™ Luminaires for Tunnel Applications

LTSI-A1 SERIES

PERFORMANCE

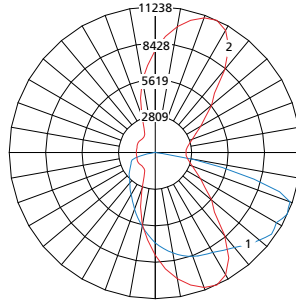
Model: LTSI-A1-C-x-2-8-192L-40K7-DIM5-CV-y-z



Maximum Candela = 22013 Located At Horizontal Angle = 90, Vertical Angle = 60

- 1 - Vertical Plane Through Horizontal Angles (90-270) (Through Max. Cd.)
- 2 - Horizontal Cone Through Vertical Angle (60) (Through Max. Cd.)

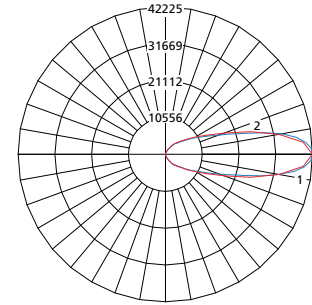
Model: LTSI-A1-C-x-3-8-192L-40K7-DIM5-CV-y-z



Max Candela = 11238 Located At Horizontal Angle = 65, Vertical Angle = 65

- 1 - Vertical Plane Through Horizontal Angles (65 - 245) (Through Max. Cd.)
- 2 - Horizontal Cone Through Vertical Angle (65) (Through Max. Cd.)

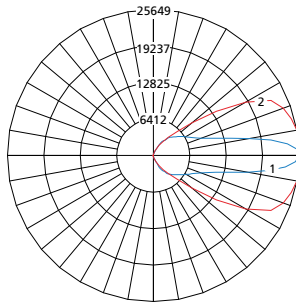
Model: LTSI-A1-W-x-4N-8-192L-40K7-DIM5-CV-y-z



Max Candela = 42225 Located At Horizontal Angle = 0, Vertical Angle = 90

- 1 - Vertical Plane Through Horizontal Angles (0 - 180) (Through Max. Cd.)
- 2 - Horizontal Cone Through Vertical Angle (90) (Through Max. Cd.)

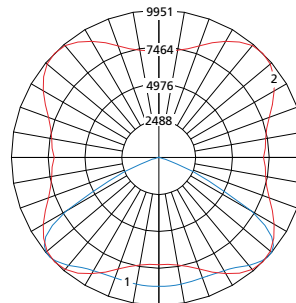
Model: LTSI-A1-C-x-4W-8-192L-40K7-DIM5-CV-y-z



Max Candela = 25649 Located At Horizontal Angle = 10, Vertical Angle = 90

- 1 - Vertical Plane Through Horizontal Angles (10 - 190) (Through Max. Cd.)
- 2 - Horizontal Cone Through Vertical Angle (90) (Through Max. Cd.)

Model: LTSI-A1-W-x-5S-8-192L-40K7-DIM5-CV-y-z



Max Candela = 9951 Located At Horizontal Angle = 45, Vertical Angle = 47.5

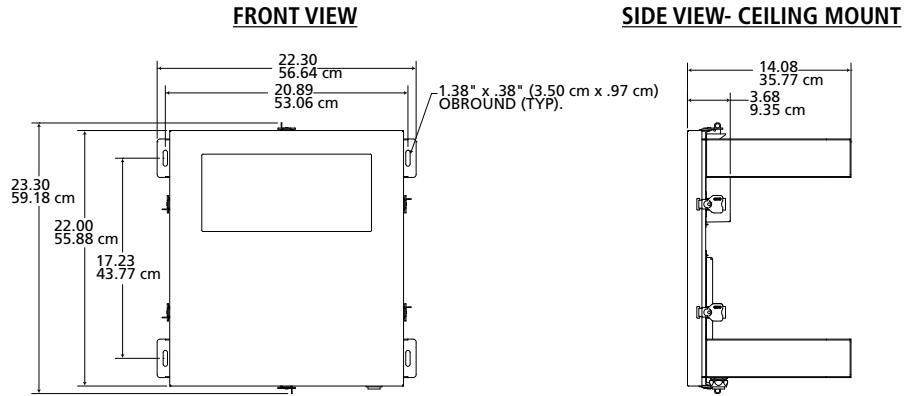
- 1 - Vertical Plane Through Horizontal Angles (45 - 225) (Through Max. Cd.)
- 2 - Horizontal Cone Through Vertical Angle (47.5) (Through Max. Cd.)



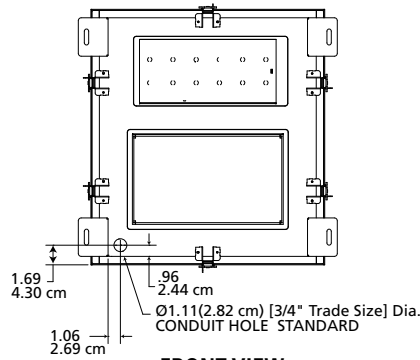
LUXTRAN™
Luminaires for Tunnel Applications

LTSI-A1 SERIES
DIMENSIONAL DATA

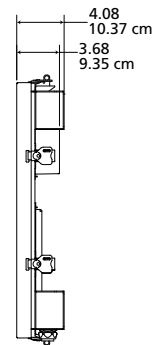
LAMP POWER
92L/140L/192L



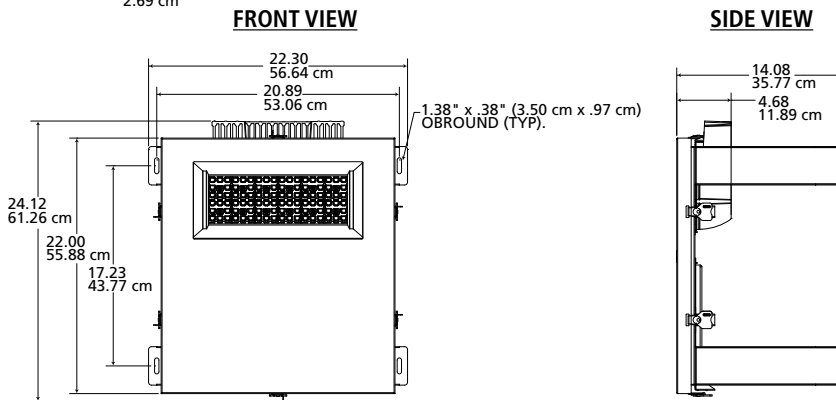
BACK VIEW



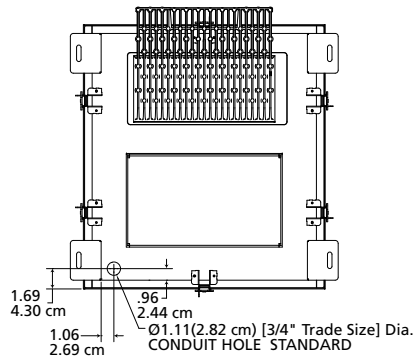
SIDE VIEW- WALL MOUNT



LAMP POWER
235L/295L



BACK VIEW



SIDE VIEW

