

LUXTRAN™

LTD SERIES

PRODUCT FEATURES:

- » Surface mount; ceiling or wall – 1'x4' (30.48 cm x 122 cm)
- » One piece, stainless steel housing; 20 gauge seam welded
- » Cam latches for ease of maintenance



SPECIFICATIONS:

HOUSING: 20-gauge, one piece seam welded Type 316 stainless steel construction with two (2) 12-gauge 316 stainless steel TIG welded mounting brackets on the top.

REFLECTOR: .016 specular aluminum mounted on top of a 20-gauge 316 stainless steel removable tray.

DOORFRAME: 18-gauge Type 316 stainless steel, supported to housing with aircraft cables and eight stainless steel cam latches. Sealed to housing with gasket.

LENS: .250" (.64 cm) clear tempered glass. Lens silicone caulk sealed to doorframe and secured with 16-gauge type 316 stainless steel continuous lens retention "L" brackets.

HARDWARE: Four (4) stainless steel 1/4 turn fasteners for easy removal of the electrical tray.

ELECTRICAL: Electronic ballast. Lamps by others.

LAMPS: Type as specified – see Ordering Information.

INSTALLATION: Surface or wall mount.

WARRANTY: Limited one (1) year Kenall fluorescent warranty.

LISTINGS: UL listed for Wet Location. Certified IP66 per IEC 60598.

PROJECT INFORMATION

Job Name _____

Fixture Type _____

Catalog Number _____

Approved by _____

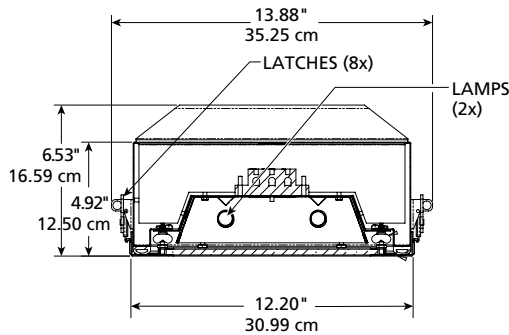


ORDERING INFORMATION (Ex: LTD14-XH-2-28-RS-120)

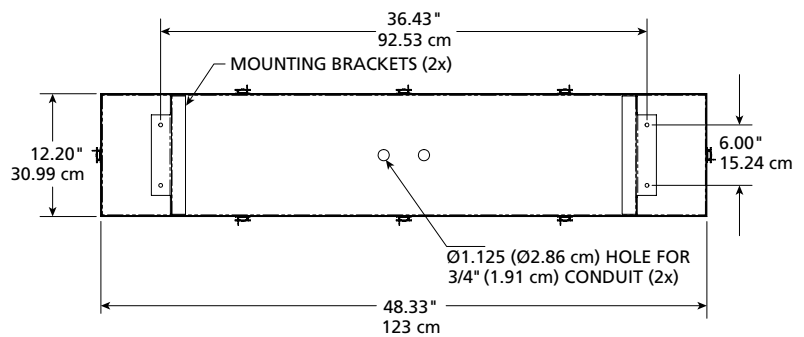
Model	Door/Housing	Lamp Quantity	Lamp Type	Ballast Type	Voltage	Options
LTD14		2				
	Door Housing Mtrl.		Lamp Type	Ballast Type	Voltage	Options
	XH 20-Ga Type 316SS		28 F28T5	RS Rapid Start Electronic	120 120 Volts	FS Fuse & Holder
	PXH 20-Ga Type 316SS; Painted		54 F54T5HO	SB Specified Ballast (Consult factory)	277 277 Volts	TB Terminal Block
	Lamp Quantity					
	2 Two					

DIMENSIONAL DATA

CROSS SECTION



BACK / TOP VIEW



www.kenall.com | P: 800-4-Kenall | F: 262-891-9701 | 10200 55th Street Kenosha, Wisconsin 53144, USA

A brand of **legrand**

This product complies with the Buy American Act: manufactured in the United States with more than 50% of the component cost of US origin. It may be covered by patents found at www.kenall.com/patents. Content of specification sheets is subject to change; please consult www.kenall.com for current product details. ©2019 Kenall Mfg. Co.